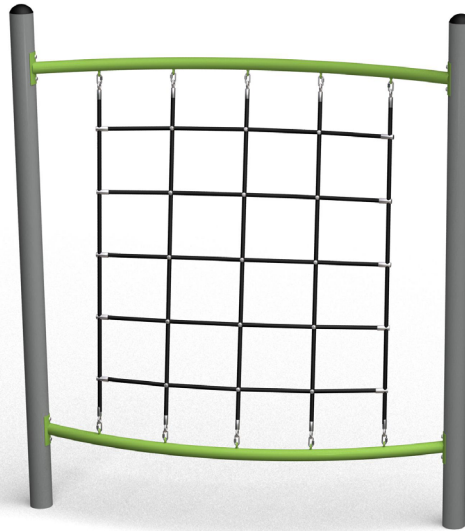


**Cargo Net**  
QTT05



7+



2



2hrs



2300



31.68



4.664mx6.792m

Cargo Net is a classic climbing challenge that helps children build strength, coordination and confidence through active play. The suspended net encourages climbing, balancing and problem-solving, supporting the development of key motor skills while providing an engaging route along the trail. A versatile Quest Trail element, the Cargo Net adds variety, challenge and adventure to any bespoke play configuration.

**Key**



Age Range



Number Of Users



Assembly Time



Free Fall Height



Impact Area



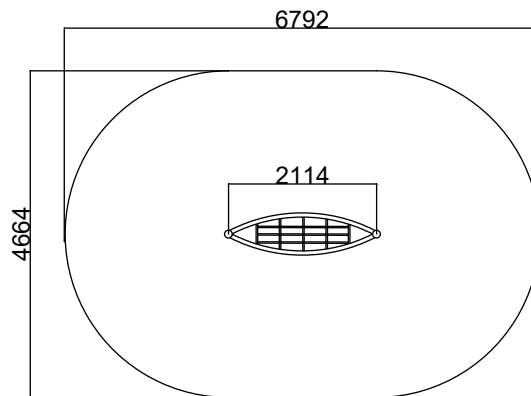
Wheelchair Accessible



Space Needed



For All Users

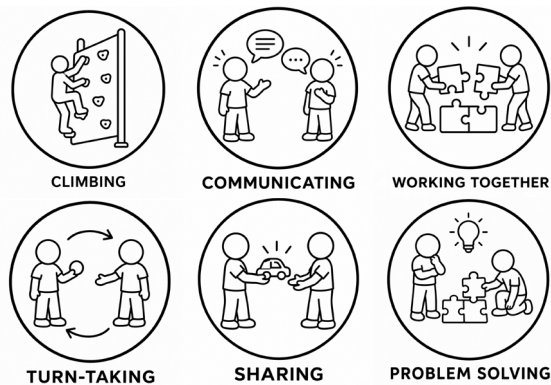
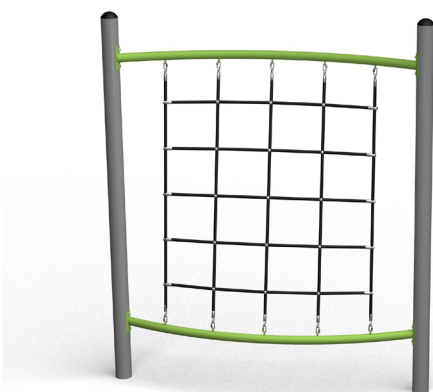


**Specification**

Age Range:	7+ Years
Safety Area Width (mm):	4664
Safety Area Length (mm):	6792
Safety Area (m <sup>2</sup> ):	31.68
Free Fall Height (mm):	2300
Assembly Time:	2 hrs
People For Installation:	2



**Inclusive Information**



The Quest Trail Range offers complete flexibility, allowing you to mix and match a variety of elements to create a bespoke trail for any location. Whether you're working with a compact space or a larger playground, the modular design can be tailored to suit your needs, combining climbing, balance, agility, and coordination challenges to maximise play value and encourage active, engaging play.

Guaranteed for product lifetime  
against structural failure



Guaranteed for 5 years

Guaranteed for 5 years



Guaranteed for 8 years

Guaranteed for 10 years



Guaranteed for 2 years

Guaranteed for 2 years



Guaranteed for 1 year

## Play Panels + HDPE Products



For consumable parts:  
- Beaters  
- Cables



For electronic failure caused by manufacturing defects in:  
- Speakers  
- Sound chips  
- Circuit boards



For mechanical failure caused by faulty workmanship or material defects in:  
- Moving parts  
- Standing and heavy duty springs



For defects resulting from the manufacture of:  
- High density polyethylene sheets  
- Structural steel components