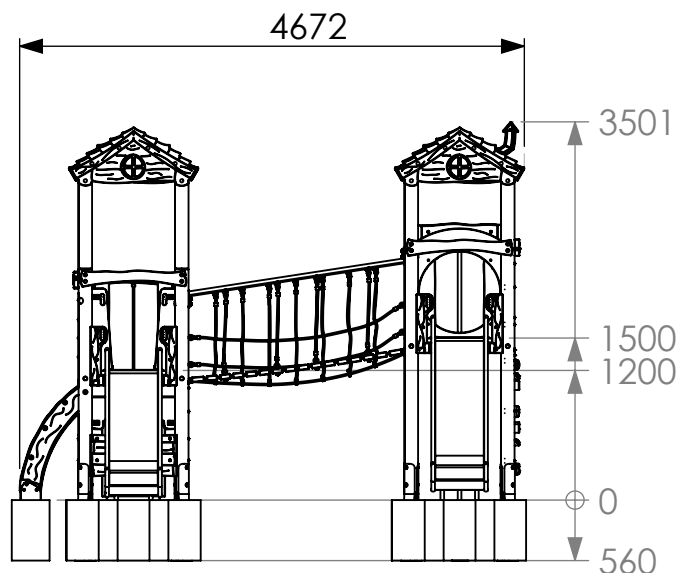
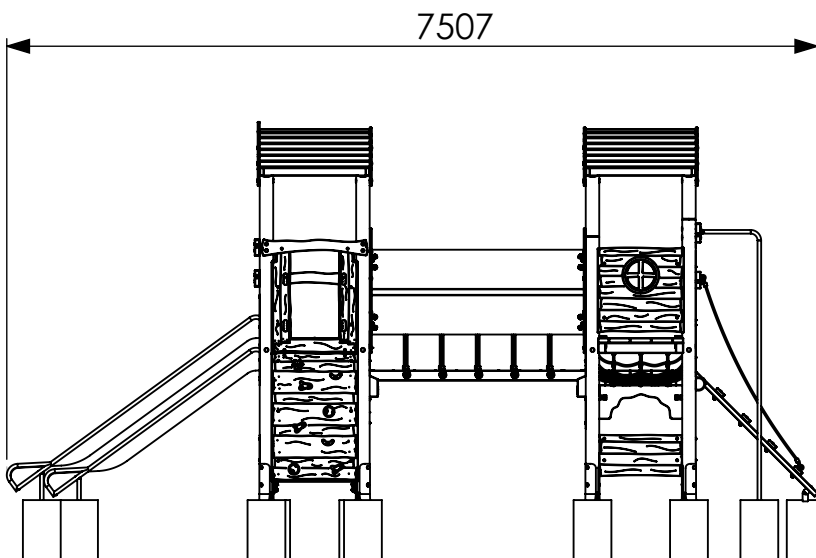
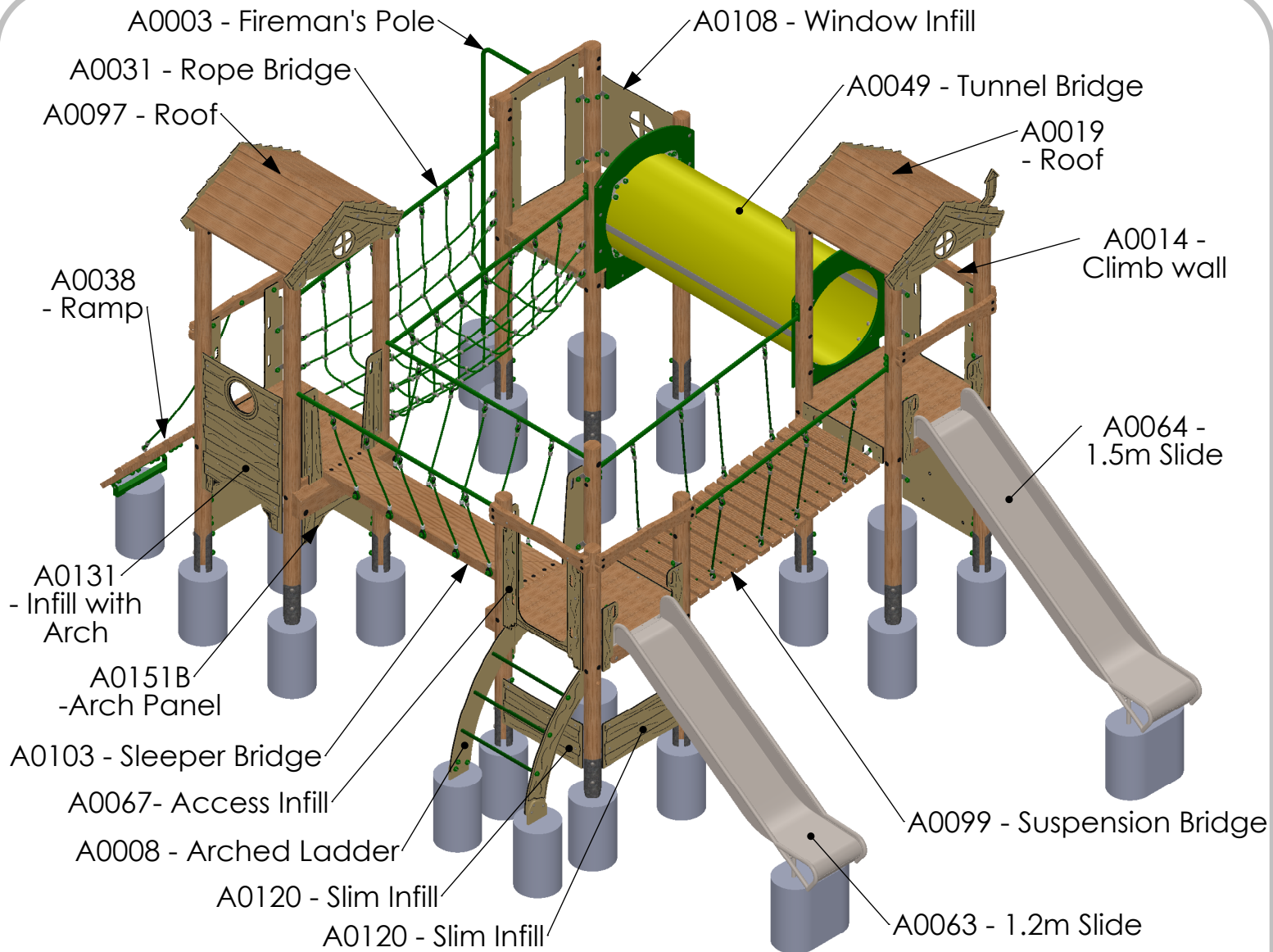


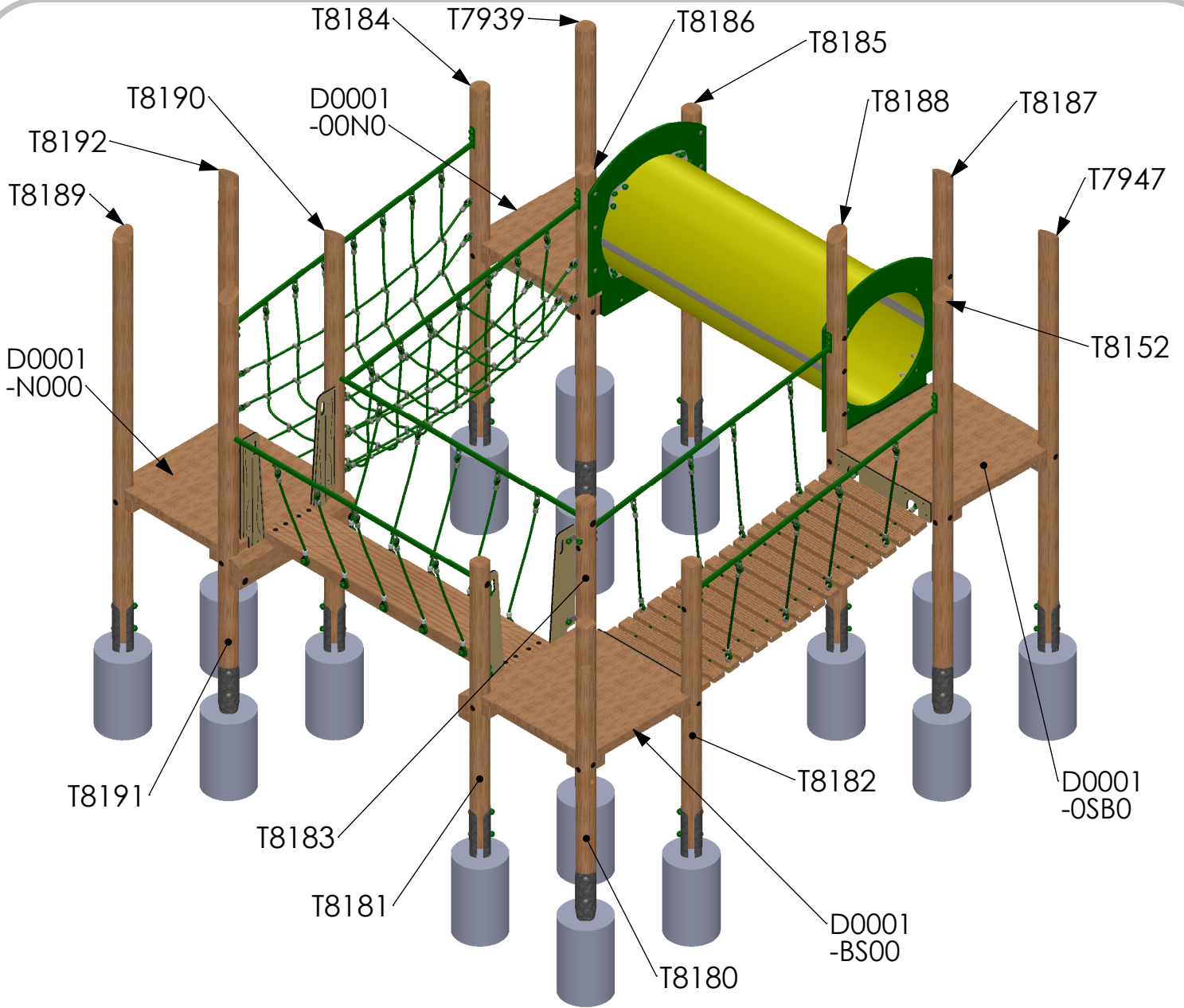
Four Deck Unit 02



Four Deck Unit 02

Leg BOM - Page 2 of 7

Revision -
Saved Date 13 July 2022 09:42:52



ITEM NO.	PART NUMBER	DESCRIPTION	QTY.
1	T7939	Timber 125mm dia. cut at 2535mm SC	1
2	T7947	Timber 125mm dia, cut at 2995mm AT	1
3	T8152	Timber 125mm dia, cut at 2995mm AT	1
4	T8180	Timber 125mm dia, cut at 2075mm SC	1
5	T8181	Timber 125mm dia, cut at 2075mm SC	1
6	T8182	Timber 125mm dia, cut at 2075mm SC	1
7	T8183	Timber 125mm dia, cut at 2075mm SC	1
8	T8184	Timber 125mm dia. cut at 2535mm SC	1
9	T8185	Timber 125mm dia, cut at 2375mm SC	1
10	T8186	Timber 125mm dia, cut at 2375mm SC	1
11	T8187	Timber 125mm dia. cut at 2995mm AT	1
12	T8188	Timber 125mm dia. cut at 2995mm AT	1
13	T8189	Timber 125mm dia, cut at 2995mm AT	1
14	T8190	Timber 125mm dia, cut at 2995mm AT	1
15	T8191	Timber 125mm dia, cut at 2995mm AT	1
16	T8192	Timber 125mm dia, cut at 2995mm AT	1

Four Deck Unit 02

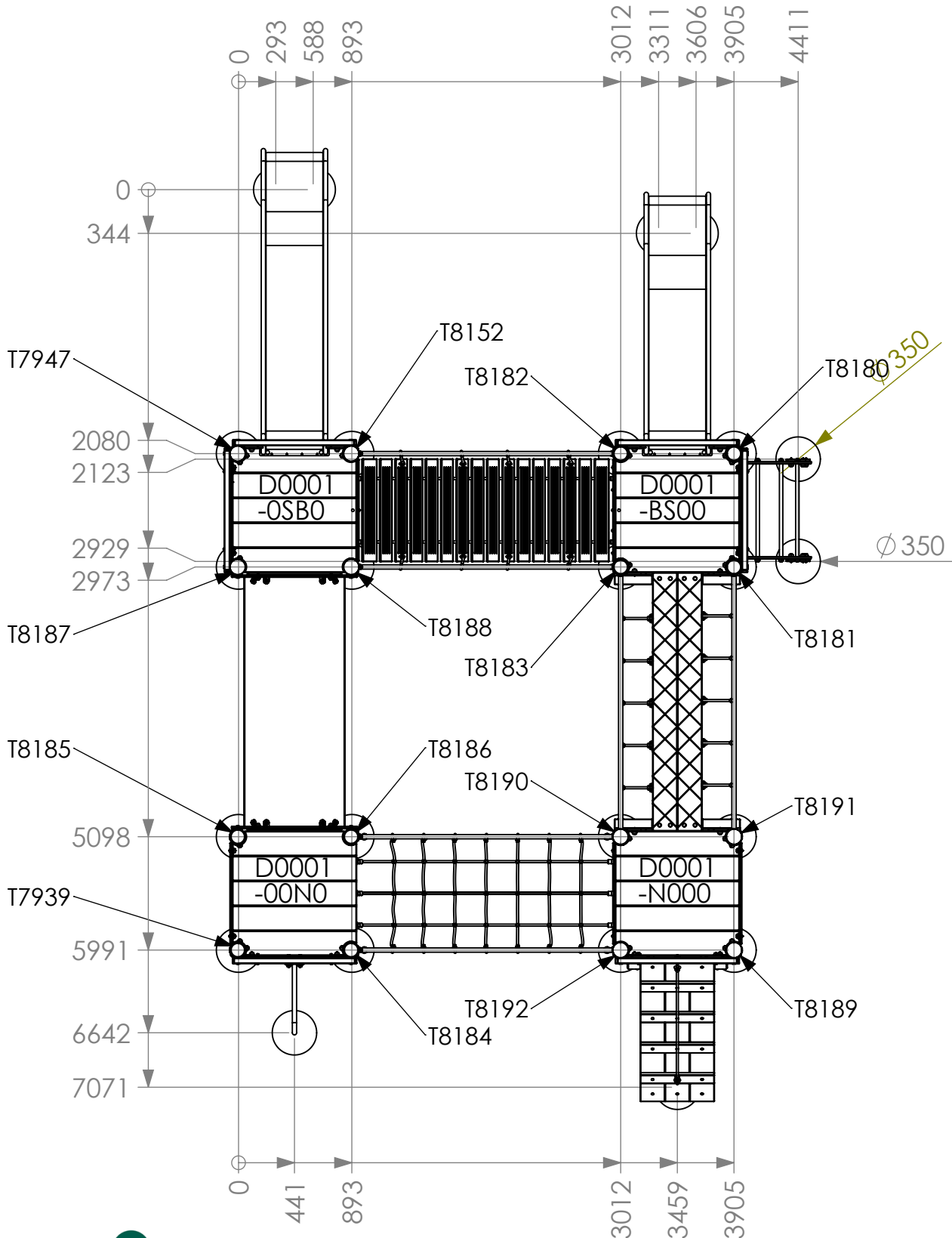
Bill of Materials - Page 3 of 7

Revision -
Saved Date

Part no.	Description	Qty	Material	Assembly
D0001-BS00	Deck Drilled for Bridge and Slide	1	Timber	-
D0001-OSB0	Deck Drilled for Slide and Bridge	1	Timber	-
D0001-00N0	Deck Drilled for Net	1	Timber	-
D0001-N000	Deck Drilled for Net	1	Timber	-
Ramp	Ramp Assembly	1	Timber	A0038
T7044	Timber 125 dia, cut at 790mm DC	1	Timber	A0038
Half Roof Ass.	Roof Assembly with Shiplap	4	Timber	A0019/A0097
Roof Strip	1018x45x20mm	4	Timber	A0019/A0097
T7031C	1060 x 195 x 45mm CNC'd	1	Timber	A0038
T7031	1060 x 195 x 45mm CNC'd	2	Timber	A0067/A0014
T7031B	1060 x 195 x 45mm CNC'd	2	Timber	A0063/A0064
T7042	1060 x 195 x 45mm CNC'd	1	Timber	A0003
T7068	Sleeper 992x195x95mm	2	Timber	A0103
T7069	Sleeper 2038x195x95mm	2	Timber	A0103
T7093	563x95x70mm	2	Timber	A0063/A0064
M1352	Ramp Ground Anchor	1	Steel	A0038
M1353	Ramp Anchor Attaching Plate	1	Steel	A0038
M1343	Rope Bridge Handrails	2	Steel	A0031
M1338	1.5m Fireman's Pole	1	Steel	A0003
M1356	Sleeper Bridge Handrails	2	Steel	A0103
M1354	Suspension Bridge Handrails	2	Steel	A0099
M1340	Ladder Rungs	3	Steel	A0008
M1387	Slide Extension Plate	2	Steel	A0063/A0064
B0775	Slide Extension Foot	4	Steel	A0063/A0064
B0721	1.2m SS Slide	1	Steel	A0063
B0720	1.5m SS Slide	1	Steel	A0064
B0794	Pull Up Rope	1	Rope	A0038
B0736	Incline Rope Bridge	1	Rope	A0031
B0773	Incline Suspension Bridge	1	Rope	A0099
B0774	Sleeper Bridge Drop Ropes	10	Rope	A0103
B0782	Tunnel Assembly	1	HDPE	A0049
P0379	Window Infill Panel	1	HDPE	A0108
P0320	Fireman's Pole Infill	1	HDPE	A0003
P0374	Bridge Eyebolt Spacer	2	HDPE	A0031
P0331	Ramp Top Infill Panel	1	HDPE	A0038
P0409	Window Infill with Arch	1	HDPE	A0131
P0341A	Sleeper Bridge Infill	2	HDPE	A0103
P0341B	Sleeper Bridge Infill	2	HDPE	A0103
P0394	Slim Infill Panel	4	HDPE	A0120
P0434B	Arch Infill Panel	3	HDPE	A0151B
P0349	Access Infill Panel	1	HDPE	A0067
P0405C	Arched Ladder Ground Anchor	2	HDPE	A0008
P0322A	Arched Ladder Side	1	HDPE	A0008
P0322B	Arched Ladder Side	1	HDPE	A0008
P0348A	Slide Handles	2	HDPE	A0064/A0063
P0348B	Slide Handles	2	HDPE	A0064/A0063
P0337	Suspension Bridge Gap Infill	2	HDPE	A0099
P0381	Climb Wall Top Panel	1	HDPE	A0014
P0328	1.5m Climb Wall	1	HDPE	A0014
P0387	HDPE Joining Bracket	8	HDPE	A0151B/A0014
P0344A	Roof Fascia Panel with Chimney	1	HDPE	A0019/A0097
P0344B	Roof Fascia Panel	3	HDPE	A0019

Four Deck Unit 02

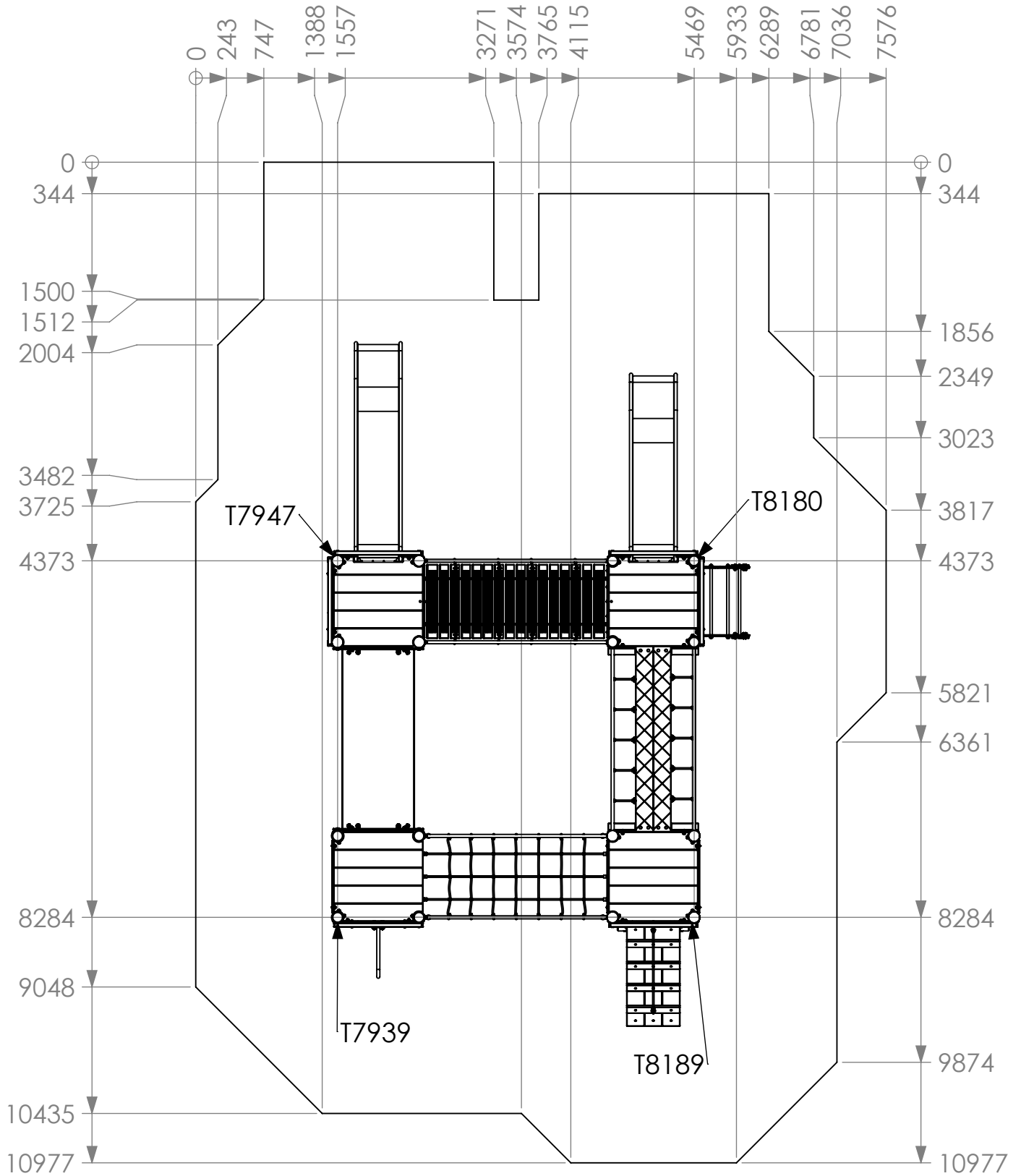
Roofs hidden from view on this page



Dig Groundworks 560mm deep



Four Deck Unit 02

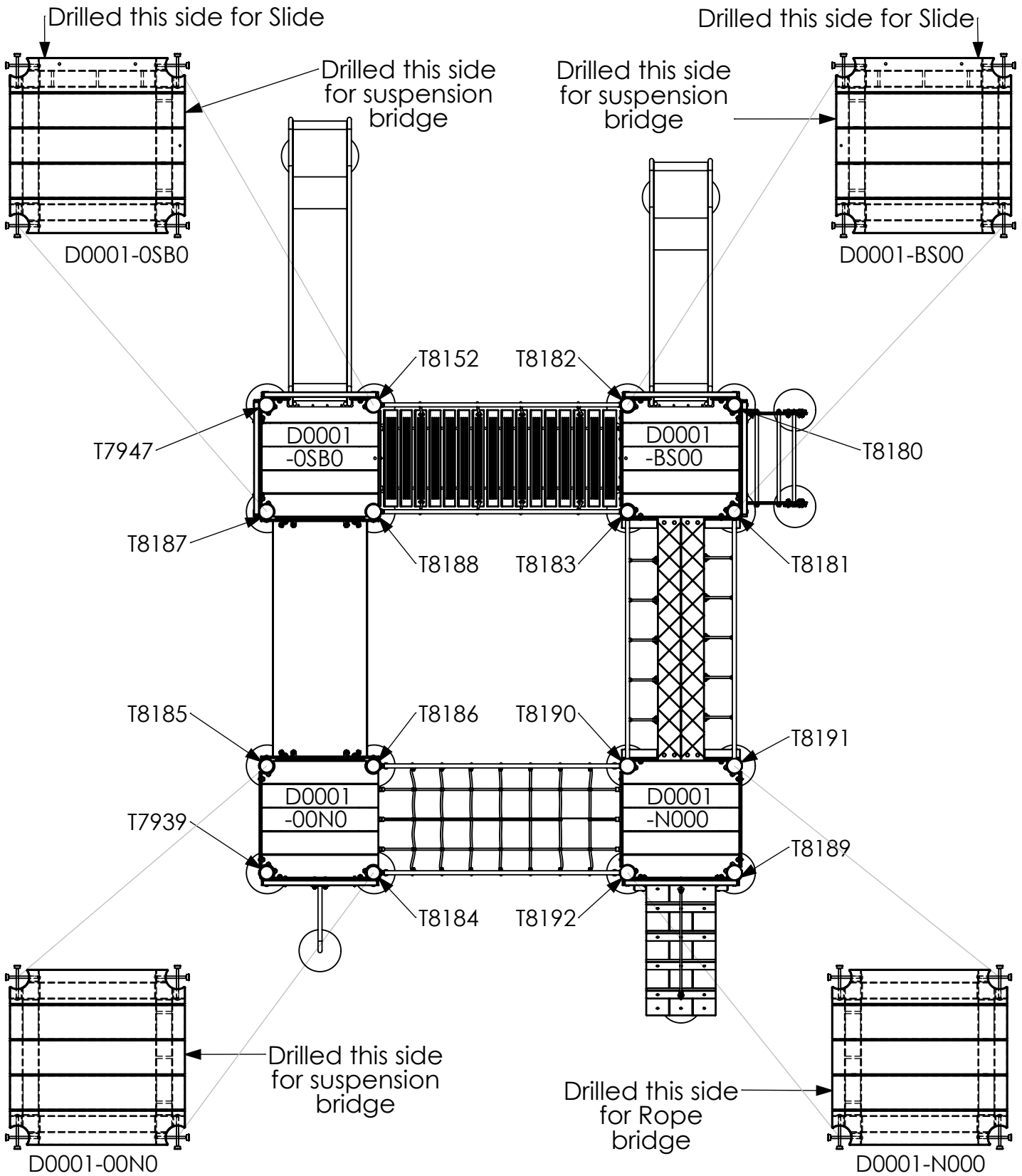


Area = 69.74m²
FFH = 1500mm



Four Deck Unit 02

Roofs hidden from view on this page



Four Deck Unit 02

Bolt List - Page 7 of 7

Revision -
Saved Date

Decks D0001-OSB0 to T8188, T8187, T7947+T8152
D0001-BS00 to T8183, T8182, T8180+T8181
D0001-N000 to T8191, T8190, T8192+T8189
D0001-O0N0 to T8184, T7939, T8185+T8186
32 no M12 x 170mm CSH Bolt
32 no M12 Nyloc
32 no M12 Washer
32 no 33mm Black Cap

A0097 to T8191, T8190, T8192+T8189
4 no M12 x 130mm CSH Bolt
8 no M12 x 80mm CSH Bolt
12 no M12 Nyloc
12 no M12 Washer
4 no 33mm Black Cap
8 no 2 Part Green Cap
4 no 70mm Screw
4 no 40mm Screw

A0019 to T8188, T8187, T7947+T8152
4 no M12 x 130mm CSH Bolt
8 no M12 x 80mm CSH Bolt
12 no M12 Nyloc
12 no M12 Washer
4 no 33mm Black Cap
8 no 2 Part Green Cap
4 no 70mm Screw
4 no 40mm Screw

A0103 to T8191, T8190, T8183+T8181
4 no M16 x 190mm CSH Bolt
4 no M16 x 120mm Hex Bolt
4 no M16 Nyloc
8 no M16 Washer
8 no 40mm Black Cap
8 no M1335 Panel Bracket
8 no M8 x 40mm Anti Tamper Bolt
8 no 75mm Coach Screw
32 no M8 Washer
8 no M8 Nyloc
26 no 2 Part Green Cap
4 no 70mm Screws
8 no 100mm Timberlock Screws
8 no 28mm Black Cap
10 no M10 x 100mm Coach Screw
10 no M10 Washer

A0031 to T8190, T8192, T8184, T8186+Decks
4 no M12 x 120mm Hex Bolt
18 no M12 Nyloc
22 no M12 Washer
12 no 33mm Black Cap
14 no 2 Part Green Cap
4 no 75mm Coach Screw
4 no M8 Washer

A0049 to T8186, T8185, T8187+T8188
12 no M12 x 130mm CSH Bolt
12 no M12 Washer
12 no M12 Nyloc
12 no 33mm Black Cap

A0099 to T8188, T8152, T8182+T8183
4 no M12 x 120mm Hex Bolt
8 no M12 Nyloc
12 no M12 Washer
4 no 33mm Black Cap
16 no 2 Part Green Cap
2 no M8 x 70mm CSH Bolt
2 no M8 x 40mm Anti Tamper Bolt
4 no 75mm Coach Screw
4 no M8 Nyloc
10 no M8 Washer
14 no 70mm Screw
2 no M1072 Angle Bracket

Slides A0063 to T8180, T8182+Deck
and A0064 to T8152, T7947+Deck
8 no M1335 Panel Bracket
6 no M12 x 180mm CSH Bolt
4 no M12 x 130mm CSH Bolt
10 no M12 Nyloc
10 no M12 Washer
4 no 33mm Black Cap
6 no 2 Part Green Cap
8 no M10 x 25mm Hex Bolt
8 no M10 Nyloc
16 no M10 Washer
8 no 100mm Timberlock Screw
8 no 75mm Coach Screw
8 no M8 x 40mm Anti Tamper Bolt
8 no M8 Nyloc
32 no M8 Washer
16 no 2 Part Green Cap
8 no 28mm Black Cap
8 no 70mm Screws

A0014 to T7947+T8187
10 no M1335 Panel Brackets
10 no M8 x 40mm Anti Tamper Bolt
4 no M8 x 60mm Anti Tamper Bolt
2 no M8 x 80mm Anti Tamper Bolt
10 no 75mm Coach Screw
4 no 100mm Timberlock Screw
46 no M8 Washer
16 no M8 Nyloc
26 no 2 Part Green Cap
4 no 28mm Black Cap
2 no 70mm Screw

A0108 to T8185+T7939
4 no M1335 Panel Bracket
4 no M8 x 40mm Anti Tamper Bolt
4 no 75mm Coach Screw
4 no M8 Nyloc
12 no M8 Washer
8 no 2 Part Green Cap

A0131 to T8189+T8191
6 no M1335 Panel Bracket
6 no M8 x 40mm Anti Tamper Bolt
6 no 75mm Coach Screw
6 no M8 Nyloc
18 no M8 Washer
12 no 2 Part Green Cap

A0003 to T7939+T8184
4 no M1335 Panel Bracket
4 no M12 x 150mm CSH Bolt
2 no M12 x 85mm CSH Bolt
6 no M12 Nyloc
6 no M12 Washer
4 no 33mm Black Cap
4 no 75mm Coach Screw
2 no M8 x 80mm Anti Tamper Bolt
4 no M8 x 40mm Anti Tamper Bolt
6 no M8 Nyloc
16 no M8 Washer
12 no 2 Part Green Cap

A0038 to T8192+T8189
2 no M12 Nyloc
2 no M12 Washer
4 no M1335 Panel Bracket
4 no M8 x 40mm Anti Tamper Bolt
2 no M8 x 80mm Anti Tamper Bolt
2 no M8 x 25mm Anti Tamper Bolt
2 no M8 x 120mm CSH Bolt
3 no M8 x 60mm CSH Bolt
4 no 100mm Timberlock Screw
4 no 75mm Coach Screw
29 no M8 Washer
13 no M8 Nyloc
15 no 2 Part Green Cap
4 no 28mm Black
4 no M8 Nut Cap

A0008 to T8181+T8180
6 no M12 x 50mm Hex Bolt
6 no M12 Washer
6 no 2 Part Green Cap
6 no M8 x 60mm Anti Tamper Bolt
6 no M8 Nyloc
12 no M8 Washer
6 no 2 Part Green Cap
2 no M16 x 130mm CSH Bolt
2 no M16 Nyloc
2 no M16 Washer
2 no 40mm Black Cap
2 no 12x300mm Steel Ground Bar

A0067 to T8181+T8180
4 no M1335 Panel Bracket
4 no M8 x 40mm Anti Tamper Bolt
2 no M8 x 80mm Anti Tamper Bolt
4 no 75mm Coach Screw
4 no 100mm Timberlock Screw
20 no M8 Washer
6 no M8 Nyloc
10 no 2 Part Green Cap
4 no 28mm Black Cap
4 no 70mm Screw

A0120(x4) to T8181, T8180+T8182 and
T8189, T8192+T8190
16 no M1335 Panel Bracket
16 no M8 x 40mm Anti Tamper Bolt
16 no 75mm Coach Screw
48 no M8 Washer
16 no M8 Nyloc
32 no 2 Part Green Cap

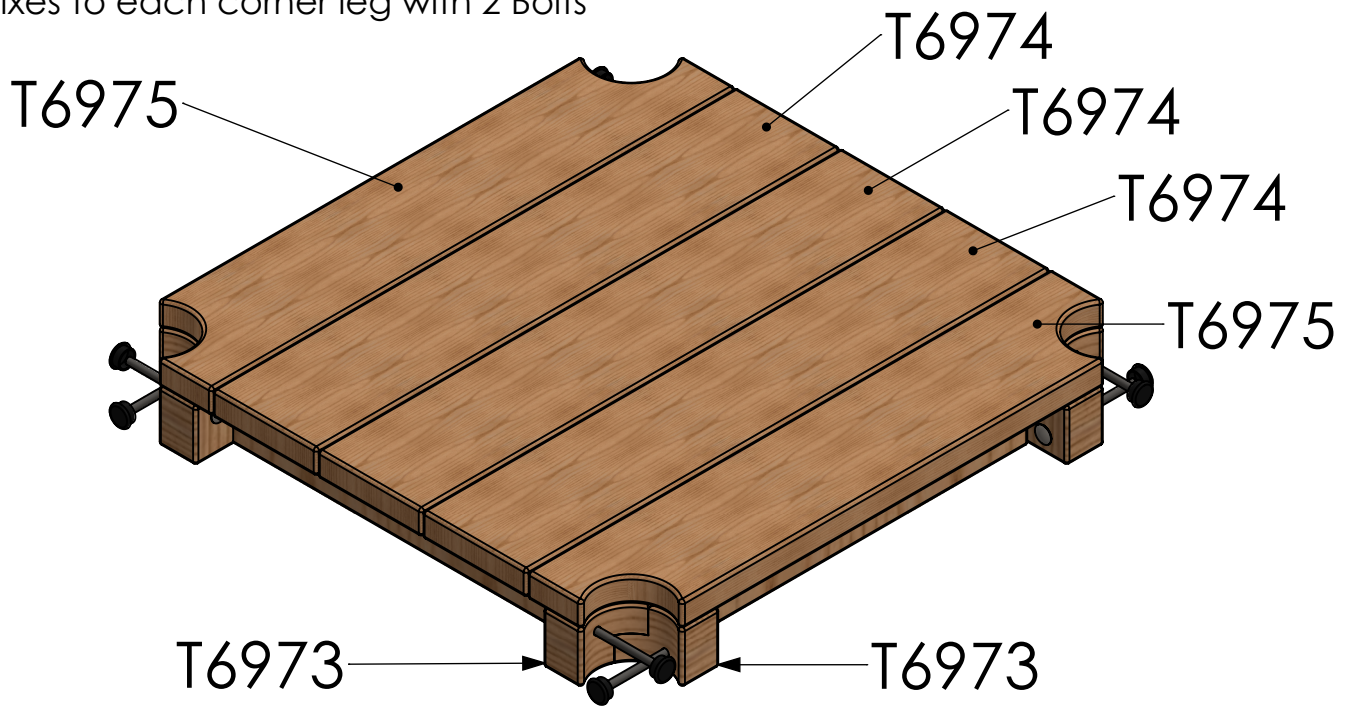
A0151B(x3) to T8191, T8190+T7068
and T8181, T8183+T7068
6 no M1335 Panel Bracket
6 no M8 x 40mm Anti Tamper Bolt
12 no M8 x 60mm Anti Tamper Bolt
18 no M8 Nyloc
6 no 75mm Coach Screw
42 no M8 Washer
24 no 2 Part Green Cap

D0001 - Deck - Installation

General Information - Page 1 of 1

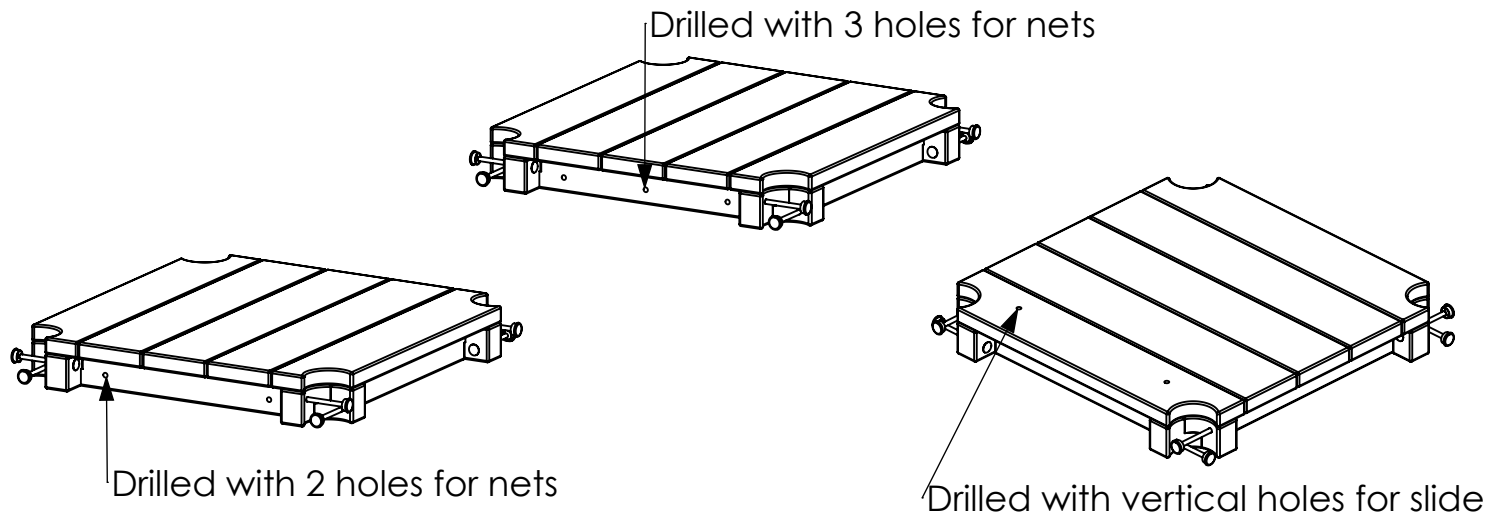
Revision -
Saved Date 08 October 2020 12:41:03

Deck fixes to each corner leg with 2 Bolts



ITEM NO.	PART NUMBER	DESCRIPTION	QTY.
1	T6973	Tower Post 980 x 95 x 95mm	4
2	T6974	Plank 980 x 195 x 45mm	3
3	T6975	Plank 980 x 195 x 45mm	2

Fix deck to Main Unit Legs
 8 no M12 x 170mm CSH Bolts
 8 no M12 Washers
 8 no M12 Nyloc
 8 no 33mm Black Caps



If deck is drilled for Nets, Slide or any other feature refer to unit instructions for positioning instructions.

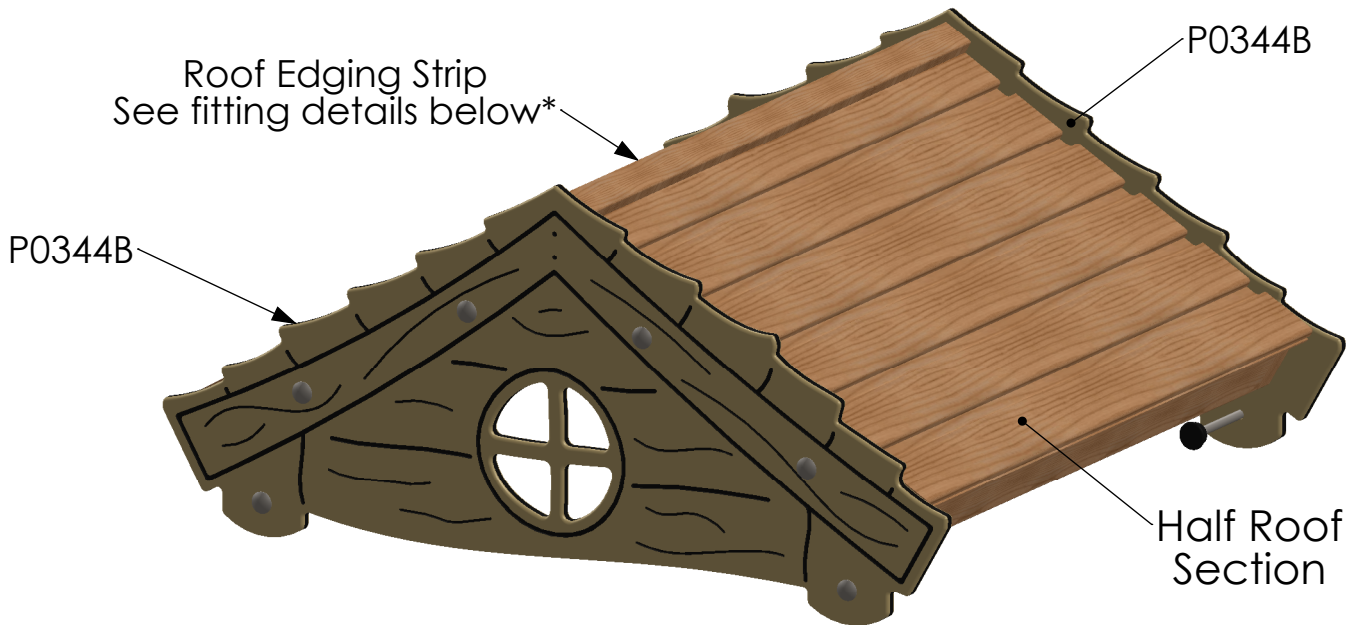


Statement of Compliance: AE Evans Ltd. manufacturers of children's playground equipment follow the codes and practices outlined in the British and European Standards. By doing this, all equipment for play areas manufactured by AE Evans meets the requirements of BSEN 1176 (general safety and test methods). Spares can be supplied via equipment distributor.

A0097 - Rickety Roof - Installation

General Information - Page 1 of 1

Revision -
Saved Date 22 July 2021 12:05:49



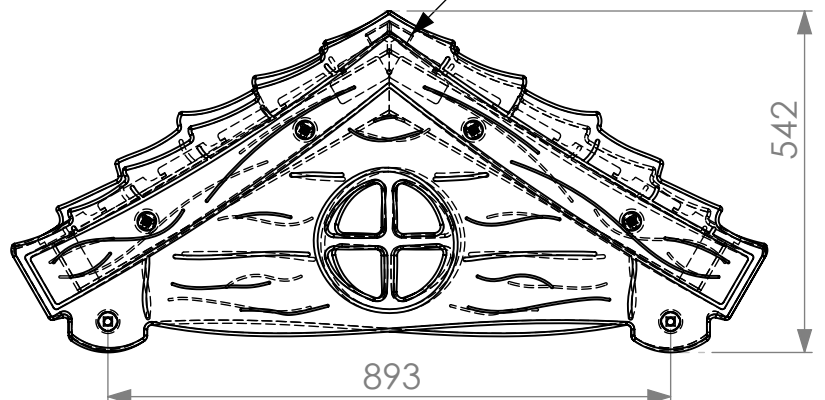
ITEM NO.	PART NUMBER	DESCRIPTION	QTY.
1	P0344B	Rickety Roof Fascia B	2
2	Timber 620 x 89 x 39mm	Timber 620 x 89 x 39mm	4
3	Timber 940 x 89 x 39mm	Timber 940 x 89 x 39mm	4
4	T2633 Shiplap	Shiplap Board	12
5	Roof Edging Strip	1018 x 45 x 20mm	2

Assemble roof by fixing P0344B to both roof halves using
 8 no M12 x 80mm CSH Bolts
 8 no M12 Washers
 8 no M12 Nylocs
 8 no 2 Part Green Caps

Fix completed roof to main unit legs using
 4 no M12 x 130mm CSH Bolt
 4 no M12 Washer
 4 no M12 Nyloc
 4 no 33mm Black Caps

Fix Roof Edging Strip to cover gap between shiplap
 4 no 70mm Woodscrews
 4 no 40mm Woodscrews

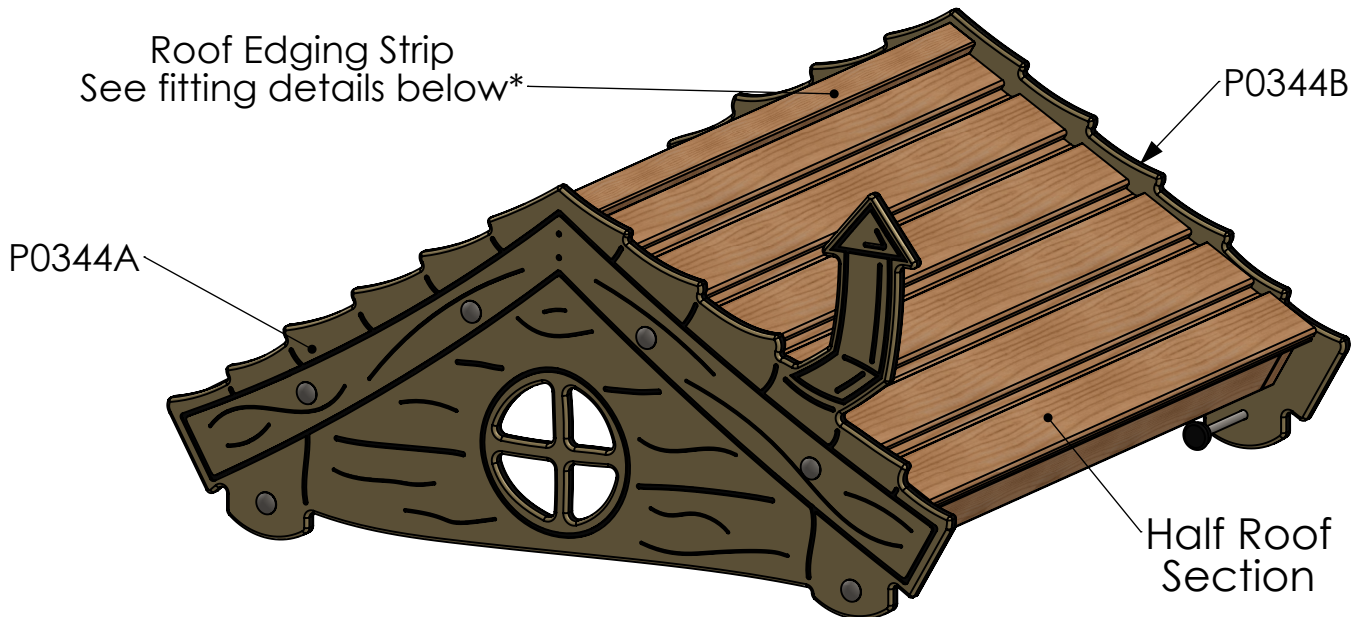
*Roof edging strips are angle cut to cover the gap between shiplap roof halves and must be screwed in place. Pilot holes must be drilled before fixing in place with a 70mm woodscrew at each end and 2 no. 40mm woodscrews in the middle of each edging strip.



A0019 - Rickety Roof with Chimney - Installation

General Information - Page 1 of 1

Revision -
Saved Date 22 July 2021 11:48:40



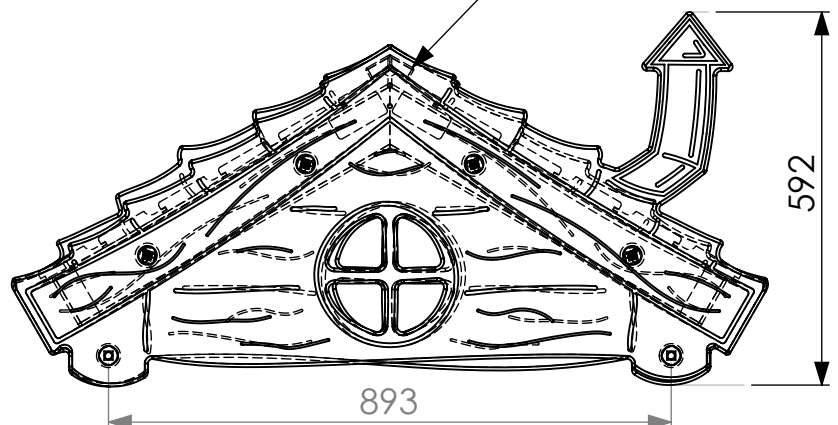
ITEM NO.	PART NUMBER	DESCRIPTION	QTY.
1	P0344A	Rickety Roof Fascia A with chimney	1
2	P0344B	Rickety Roof Fascia B	1
3	Timber 620 x 89 x 39mm	Timber 620 x 89 x 39mm	4
4	Timber 940 x 89 x 39mm	Timber 940 x 89 x 39mm	4
5	T2633 Shiplap	Shiplap Board	12
10	Roof Edging Strip	1018 x 45 x 20mm	2

Assemble roof by fixing P0344A + P0344B to both roof halves using
 8 no M12 x 80mm CSH Bolts
 8 no M12 Washes
 8 no M12 Nylocs
 8 no 2 Part Green Caps

Fix completed roof to main unit legs using
 4 no M12 x 130mm CSH Bolt
 4 no M12 Washer
 4 no M12 Nyloc
 4 no 33mm Black Caps

Fix Roof Edging Strip to cover gap between shiplap
 4 no 70mm Woodscrews
 4 no 40mm Woodscrews

*Roof edging strips are angle cut to cover the gap between shiplap roof halves and must be screwed in place. Pilot holes must be drilled before fixing in place with a 70mm woodscrew at each end and 2 no. 40mm woodscrews in the middle of each edging strip

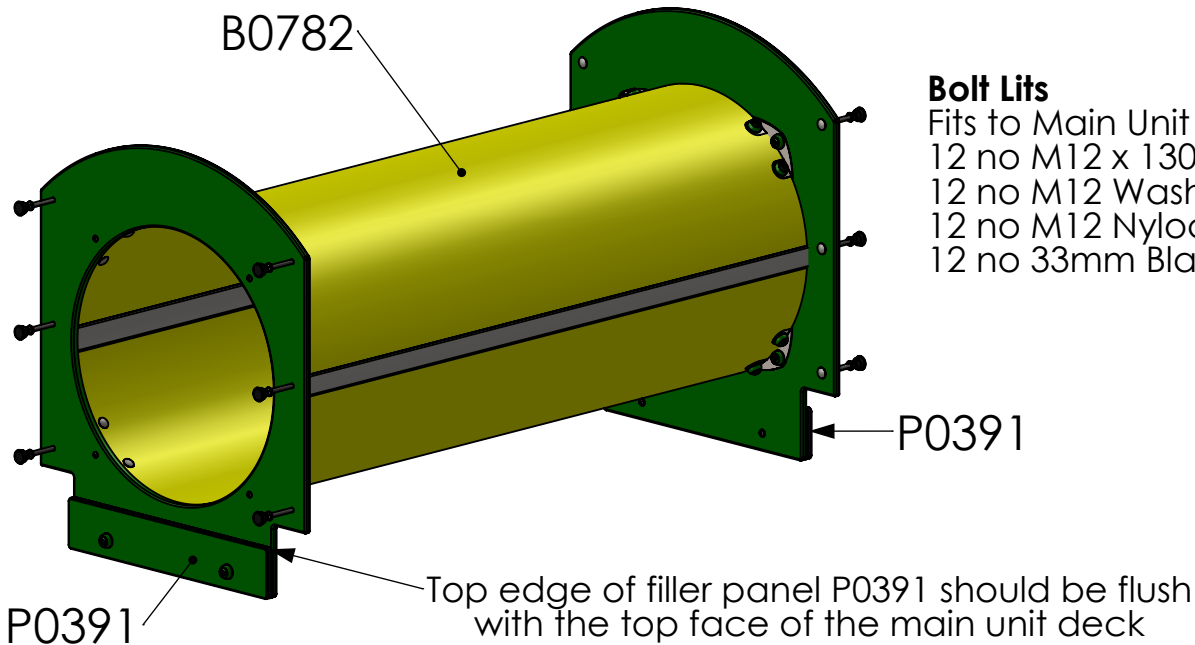


Statement of Compliance: AE Evans Ltd. manufacturers of children's playground equipment follow the codes and practices outlined in the British and European Standards. By doing this, all equipment for play areas manufactured by AE Evans meets the requirements of BSEN 1176 (general safety and test methods). Spares can be supplied via equipment distributor.

A0049 - 2m Between Deck Tunnel - Installation

General Information - Page 1 of 1

Revision -
Saved Date 27 October 2020 14:05:03

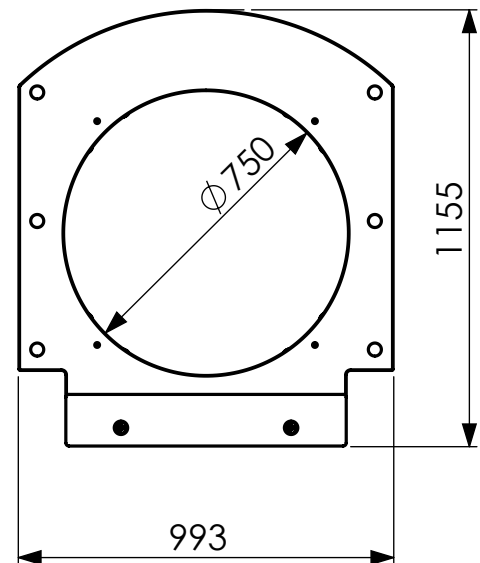


Tunnel comes fully assembled

Bolt Lits

- Fits to Main Unit Legs
- 12 no M12 x 130mm CSH Bolts
- 12 no M12 Washer
- 12 no M12 Nyloc
- 12 no 33mm Black Caps

ITEM NO.	PART NUMBER	DESCRIPTION	QTY.
1	B0782	2m Plastic Tunnel Between Decks	1
2	P0391	745 x 140mm Tunnel Gap Infill	2



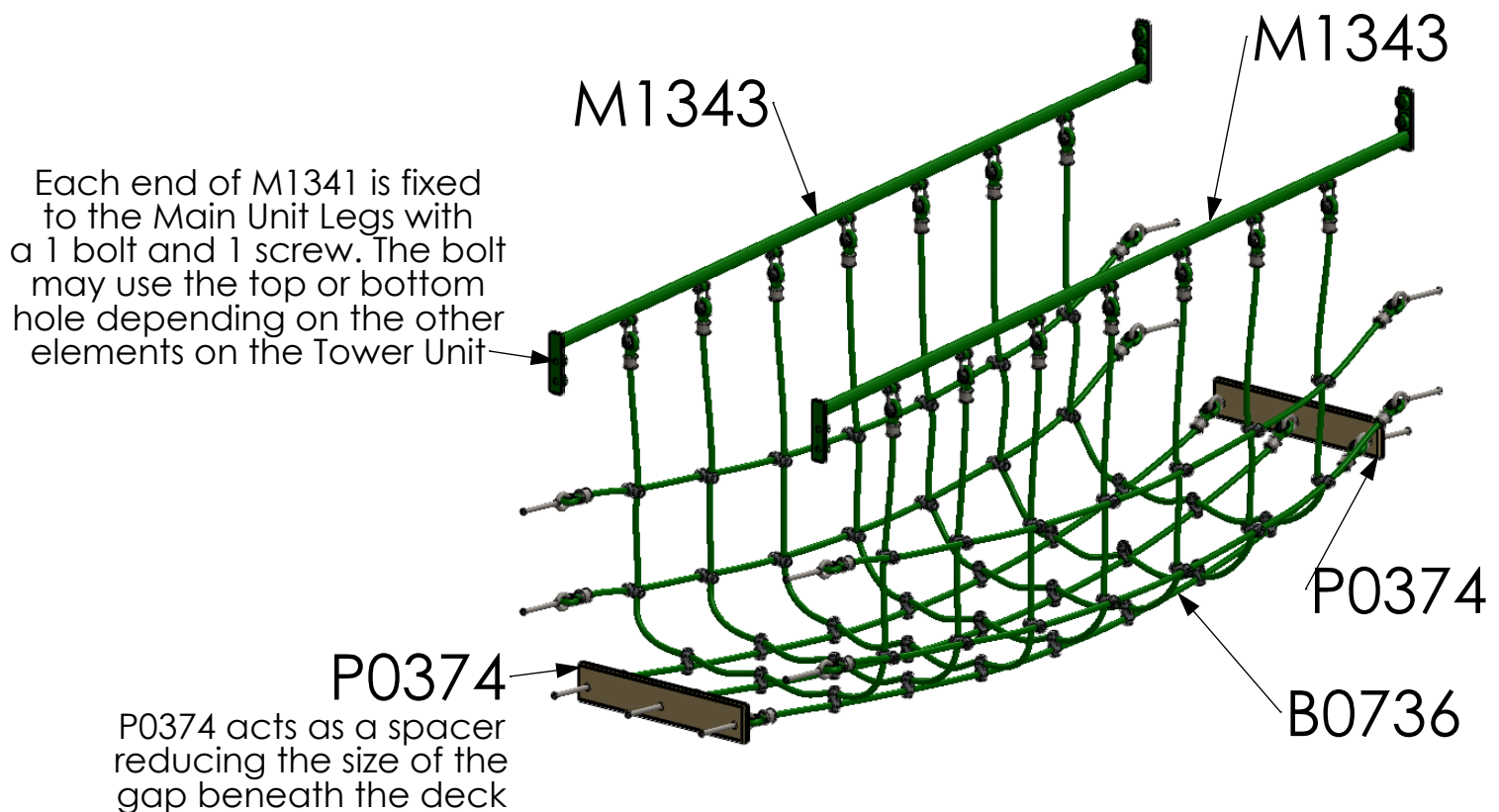
Statement of Compliance: AE Evans Ltd. manufacturers of children's playground equipment follow the codes and practices outlined in the British and European Standards. By doing this, all equipment for play areas manufactured by AE Evans meets the requirements of BSEN 1176 (general safety and test methods). Spares can be supplied via equipment distributor.

A0031 - Incline Rope Bridge - Installation

General Information - Page 1 of 1

Revision -
Saved Date 12 February 2021 16:06:31

ITEM NO.	PART NUMBER	DESCRIPTION	QTY.
1	B0736	2m Rope Incline Bridge	1
2	M1343	2000 x 300 Incline Bridge Handrail Assembly	2
3	P0374	Modular Tower Eyebolt Spacer	2



M1343 to Main Legs
 4 no M12 x 120mm Hex Bolt
 4 no M12 Nyloc
 8 no M12 Washer
 4 no 33mm Black Cap
 4 no 2 Part Black Cap
 4 no M8 x 75mm Coach Screw
 4 no M8 Washer
 4 no 2 Part Green Cap

B0736 to M1343
 14 no D-shackle

B0736 to Main Unit Legs and Deck support timber
 14 no M12 Nyloc
 14 no M12 Washer
 8 no 33mm Black Cap
 6 no 2 Part Green Cap

Eyebolts pass through P0374 before being fixed through deck support timber



Statement of Compliance: AE Evans Ltd. manufacturers of children's playground equipment follow the codes and practices outlined in the British and European Standards. By doing this, all equipment for play areas manufactured by AE Evans meets the requirements of BSEN 1176 (general safety and test methods). Spares can be supplied via equipment distributor.

A0103 - Flat Sleeper Bridge - Installation

General Information - Page 1 of 1

Revision -
Saved Date 03 November 2020 13:41:34

ITEM NO.	PART NUMBER	DESCRIPTION	QTY.
1	T7068	Sleeper 992 x 195 x 95mm	2
2	T7069	Sleeper 2038 x 195 x 95mm	2
3	B0774.	Sleeper Bridge Drop Rope	10
4	P0341B	Double Sleeper Bridge HDPE Infill	2
5	P0341A	Double Sleeper Bridge HDPE Infill	2
6	M1356	2000mm Double Sleeper Bridge Handrail	2
7	M1335	HDPE Bracket Modular Tower Unit	8

T7068 to Main Unit Legs

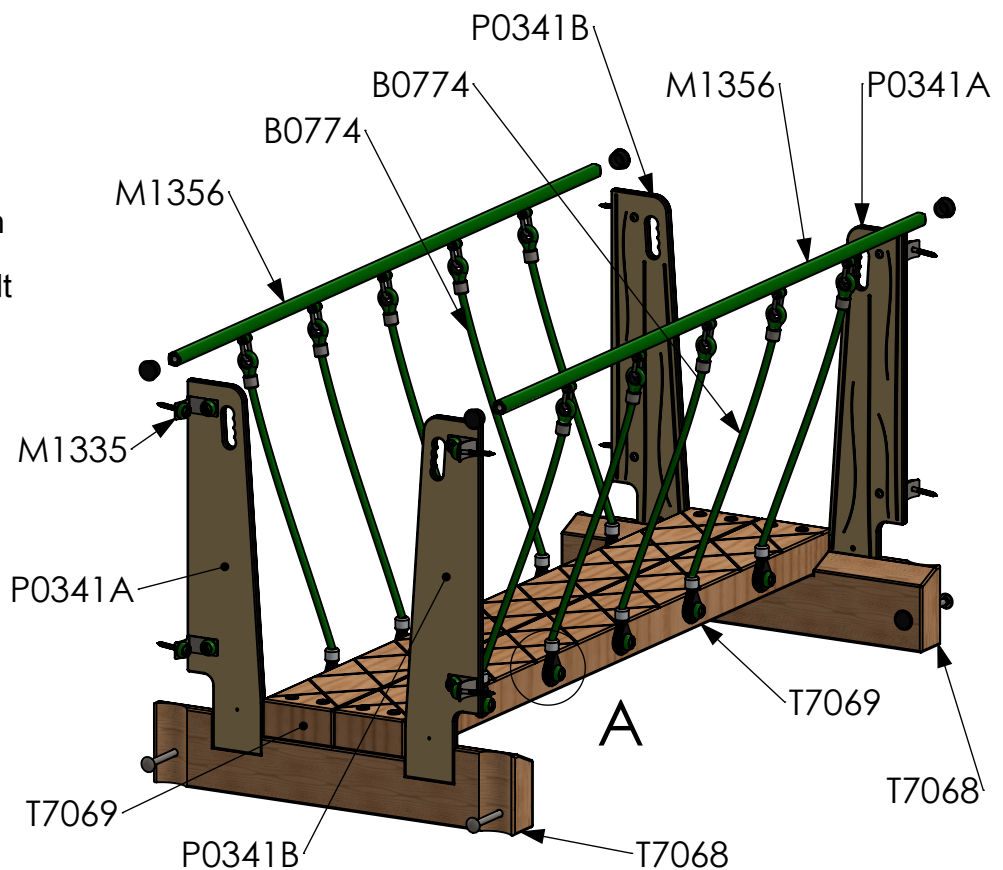
4 no M16 x 190mm CSH Bolts
4 no M16 Nyloc
4 no M16 Washer
4 no 40mm Black Cap

P0341A/B slots between deck and sleeper T7068 then fixes with
8 no M1335 Panel Bracket
8 no M8 x 40mm Anti Tamper Bolt
8 no M8 x 75mm Coach Screw
24 no M8 Washers
8 no M8 Nylocs
16 no 2 Part Green Caps
2 no 75mm Screws into deck

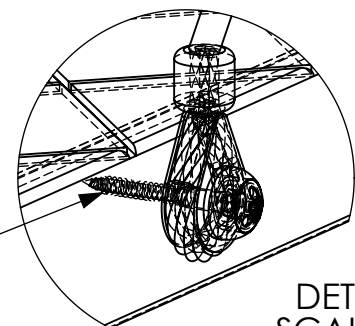
M1356 to Main Unit Legs
4 no M16 x 120mm Hex Bolt
4 no M16 Washer
4 no 40mm Black Cap

T7069 to T7068
8 no 100mm Timberlock Screws
8 no M8 washers
8 no 28mm Black Caps
B0774 to M1357
10 no D-Shackle

B0774 to T7069
10 no M10 x 100mm Coach screw
10 no M10 Washer
10 no 2 Part Green Cap



Pull rope B0774 down tight before fixing in place with M10 x 100mm Coach Screw through the centre of the peardrop rope connector. Cover screw head with 2 Part Green Cap.



DETAIL A
SCALE 1 : 4



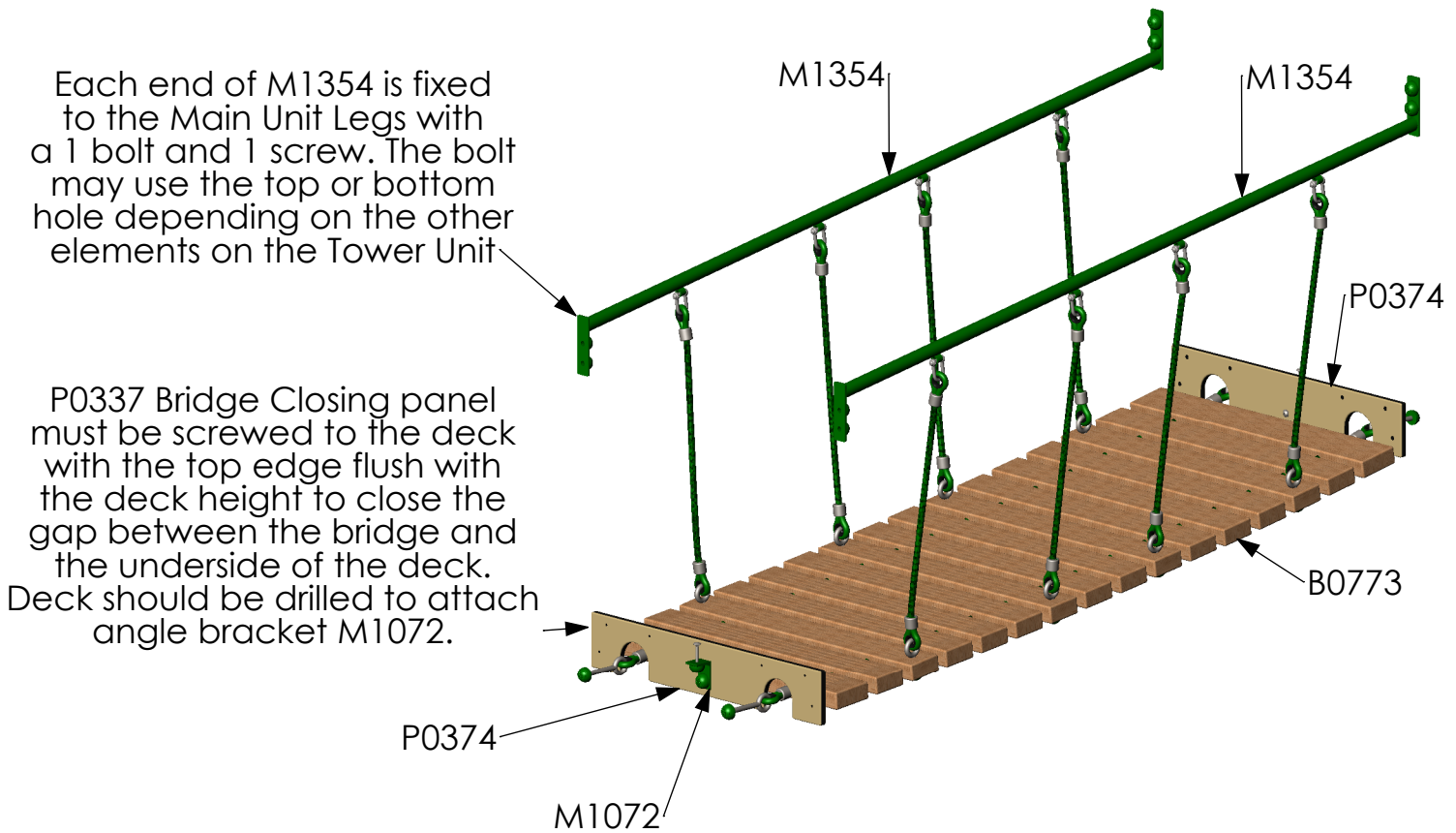
Statement of Compliance: AE Evans Ltd. manufacturers of children's playground equipment follow the codes and practices outlined in the British and European Standards. By doing this, all equipment for play areas manufactured by AE Evans meets the requirements of BSEN 1176 (general safety and test methods). Spares can be supplied via equipment distributor.

A0099 - Sloping Suspension Bridge - Installation

General Information - Page 1 of 1

Revision -
Saved Date 05 November 2021 12:25:04

ITEM NO.	PART NUMBER	DESCRIPTION	QTY.
1	M1354	Incline Suspension Bridge Handrail	2
2	P0337	Bridge Closing Panel	2
3	B0773	2m Incline Suspension Bridge	1
4	M1072	Angle Bracket 75 x 50 x 6mm	2



Each end of M1354 is fixed to the Main Unit Legs with a 1 bolt and 1 screw. The bolt may use the top or bottom hole depending on the other elements on the Tower Unit

P0337 Bridge Closing panel must be screwed to the deck with the top edge flush with the deck height to close the gap between the bridge and the underside of the deck. Deck should be drilled to attach angle bracket M1072.

M1354 to Main Legs
4 no M12 x 120mm Hex Bolt
4 no M12 Nyloc
8 no M12 Washer
4 no 33mm Black Cap
4 no 2 Part Black Cap
4 no M8 x 75mm Coach Screw
4 no M8 Washer
4 no 2 Part Green Cap

B0773 to M1354
14 no D-shackle

B0773 to Deck support timber
4 no M12 Nyloc
4 no M12 Washer
4 no 2 Part Green Cap

P0374 to Decks
2 no M1072 Angle Brackets
2 no M8 x 70mm CSH Bolts
2 no M8 x 40mm Anti Tamper Bolts
4 no M8 Nyloc
4 no M8 Washer
4 no 2 Part Green Caps
14 no 75mm Screws



Statement of Compliance: AE Evans Ltd. manufacturers of children's playground equipment follow the codes and practices outlined in the British and European Standards. By doing this, all equipment for play areas manufactured by AE Evans meets the requirements of BSEN 1176 (general safety and test methods). Spares can be supplied via equipment distributor.

A0064 - 1.5m Slide - Installation Instructions

General Information - Page 1 of 2

Revision -
Saved Date 24 September 2021 16:32:31

ITEM NO.	PART NUMBER	DESCRIPTION	QTY.
1	T7031B	Plank 1060 x 195 x 45mm CNC'd	1
2	T7093	Post 563 x 95 x 70mm	1
3	B0720 - 1.5m Slide	1.5m-1.3m Bolt Down Steel Slide	1
4	M1387	Plate 460 x 60 x 5mm for slide extensions	1
5	B0775	250mm Steel Foot Extension Leg	2
6	M1335	HDPE Bracket Modular Tower Unit	4
7	P0348A.	Slide Infill Panel A	1
8	P0348B.	Slide Infill Panel B	1

Slide B0720 fixes to deck

- 3 no M12 x 180mm CSH Bolt
- 2 no M12 x 130mm CSH Bolt
- 5 no M12 Nyloc
- 5 no M12 Washer
- 2 no 33mm Black Cap
- 3 no 2 Part Green Cap
- 4 no 70mm CSK Head Screws

Slide to M1387 and B0775 extensions

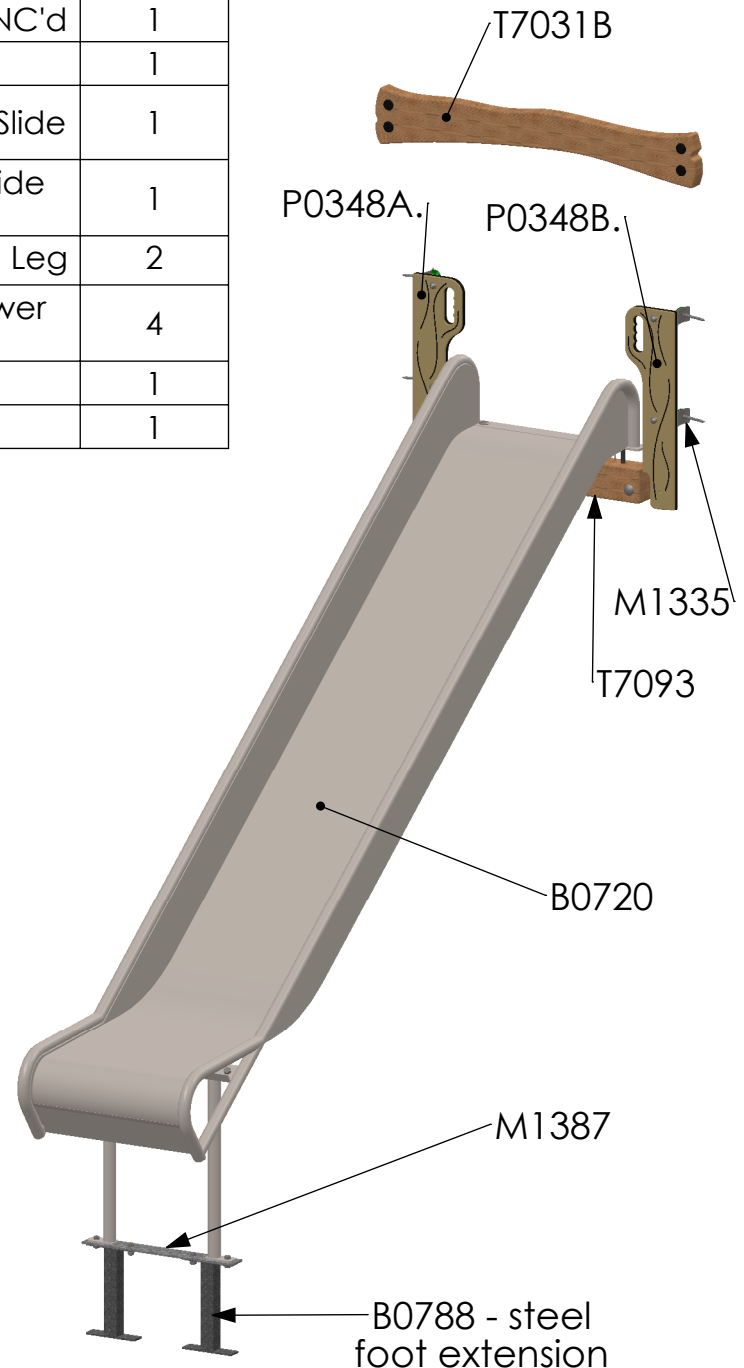
- 4 no M10 x 25mm Hex Bolt
- 4 no M10 Nyloc
- 8 no M10 Washers

P0348A/B to Main Unit Legs

- 4 no M1335 Panel Brackets
- 4 no M8 x 40mm Anti Tamper Bolt
- 4 no M8 x 75mm Coach Screw
- 4 no M8 Nyloc
- 12 no M8 Washer
- 8 no 2 Part Green Cap

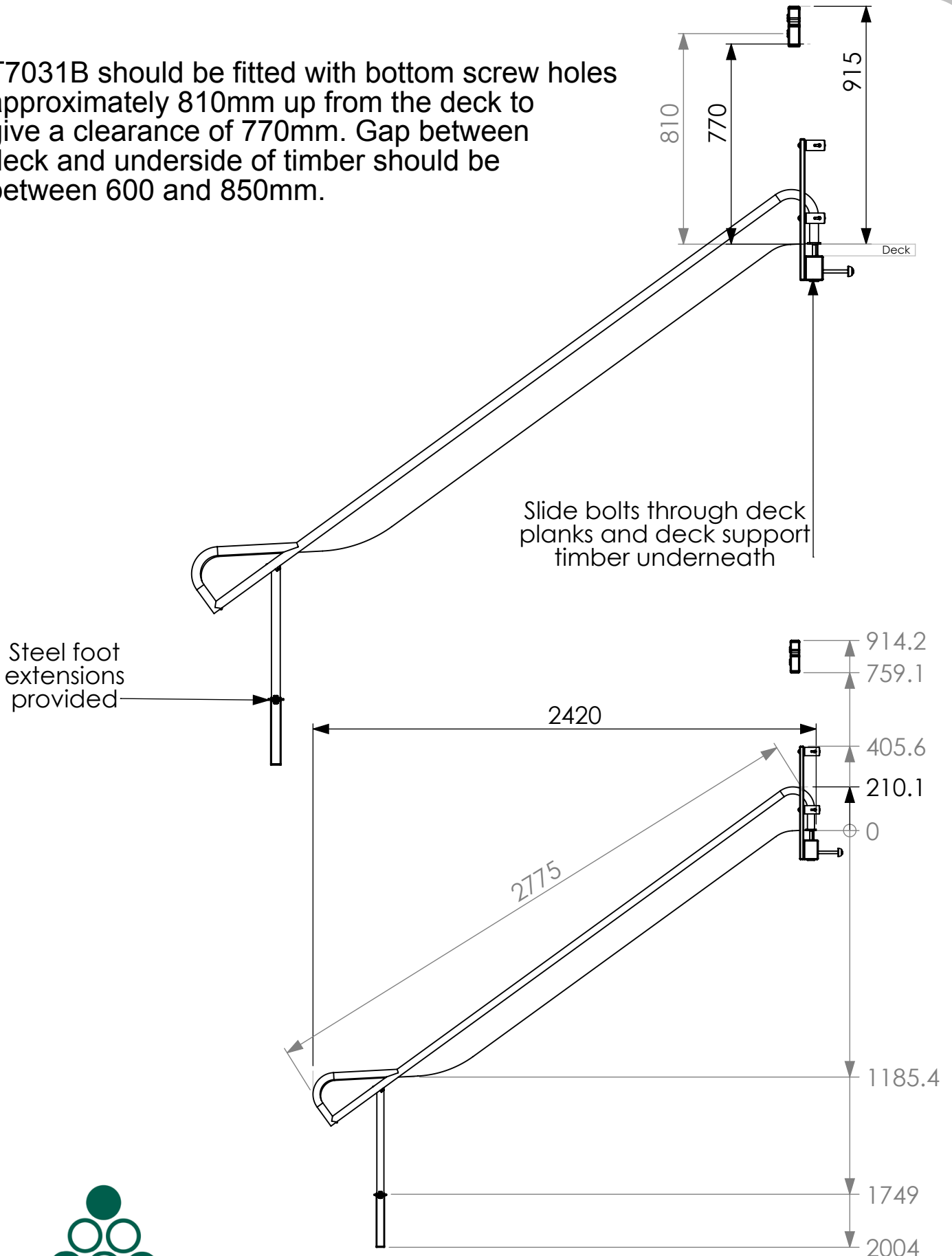
T7031B to Main Unit Legs

- 4 no 100mm Timberlock screws
- 4 no M8 Washers
- 4 no 28mm Black Caps



A0064 - 1.5m Slide - Installation Instructions

T7031B should be fitted with bottom screw holes approximately 810mm up from the deck to give a clearance of 770mm. Gap between deck and underside of timber should be between 600 and 850mm.

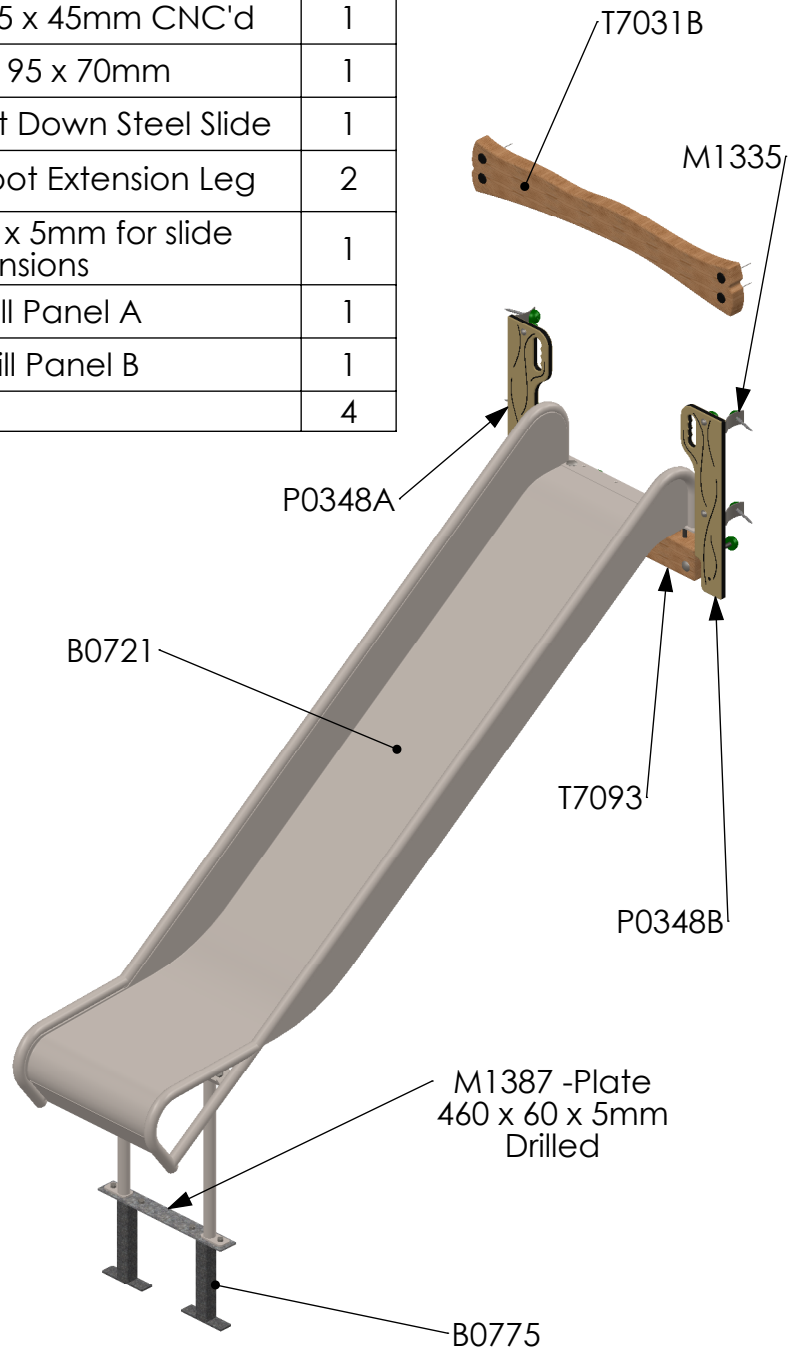


A0063 - 1.2m Slide - Installation Instructions

General Information - Page 1 of 2

Revision -
Saved Date 27 September 2021 09:51:41

ITEM NO.	PART NUMBER	DESCRIPTION	QTY.
1	T7031B	Plank 1060 x 195 x 45mm CNC'd	1
2	T7093	Post 563 x 95 x 70mm	1
3	B0721 - 1.25m Slide	1.25m-1.05m Bolt Down Steel Slide	1
4	B0775	250mm Steel Foot Extension Leg	2
5	M1387	Plate 460 x 60 x 5mm for slide extensions	1
6	P0348A	Slide Infill Panel A	1
7	P0348B	Slide Infill Panel B	1
8	M1335		4



Slide B0721 fixes to deck

- 3 no M12 x 180mm CSH Bolt
- 2 no M12 x 130mm CSH Bolt
- 5 no M12 Nyloc
- 5 no M12 Washer
- 2 no 33mm Black Cap
- 3 no 2 Part Green Cap
- 4 no 70mm CSK Head Screws

Slide to M1387 and B0775 extensions

- 4 no M10 x 25mm Hex Bolt
- 4 no M10 Nyloc
- 8 no M10 Washers

P0348A/B to Main Unit Legs

- 4 no M1335 Panel Brackets
- 4 no M8 x 40mm Anti Tamper Bolt
- 4 no M8 x 75mm Coach Screw
- 4 no M8 Nyloc
- 12 no M8 Washer
- 8 no 2 Part Green Cap

T7031B to Main Unit Legs

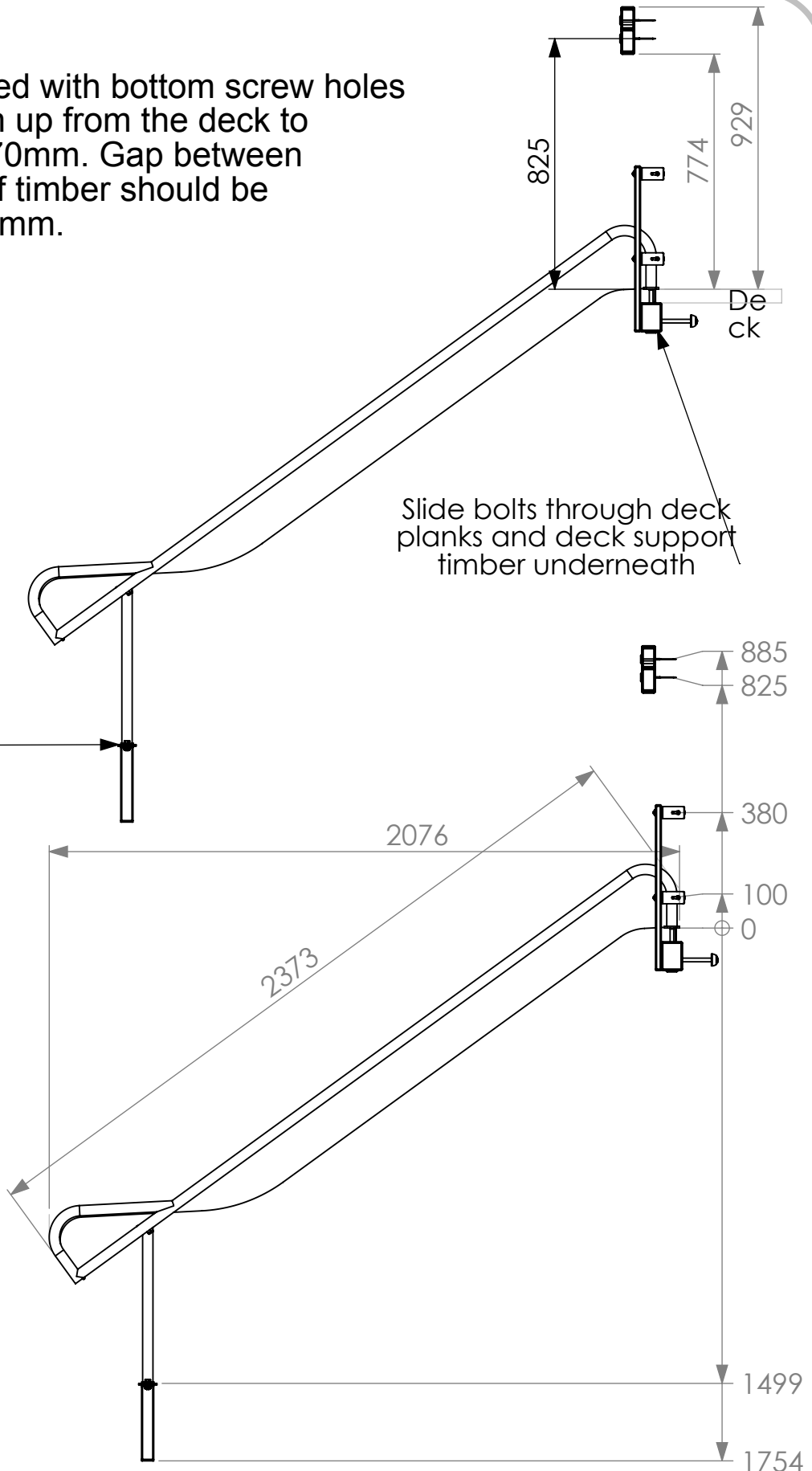
- 4 no 100mm Timberlock screws
- 4 no M8 Washers
- 4 no 28mm Black Caps



A0063 - 1.2m Slide - Installation Instructions

T7031B should be fitted with bottom screw holes approximately 825mm up from the deck to give a clearance of 770mm. Gap between deck and underside of timber should be between 600 and 850mm.

Steel foot extensions provided



A0003 - 1.5m Fireman's Pole - Installation Instructions

General Information - Page 1 of 1

Revision -
Saved Date 24 September 2021 11:56:42

ITEM NO.	PART NUMBER	DESCRIPTION	QTY.
1	M1338	1.5m Firemans Pole	1
2	P0320	Firemans Pole Top Panel	1
3	T7042	Plank 1060 x 195 x 45mm CNC'd	1
4	M1335		4

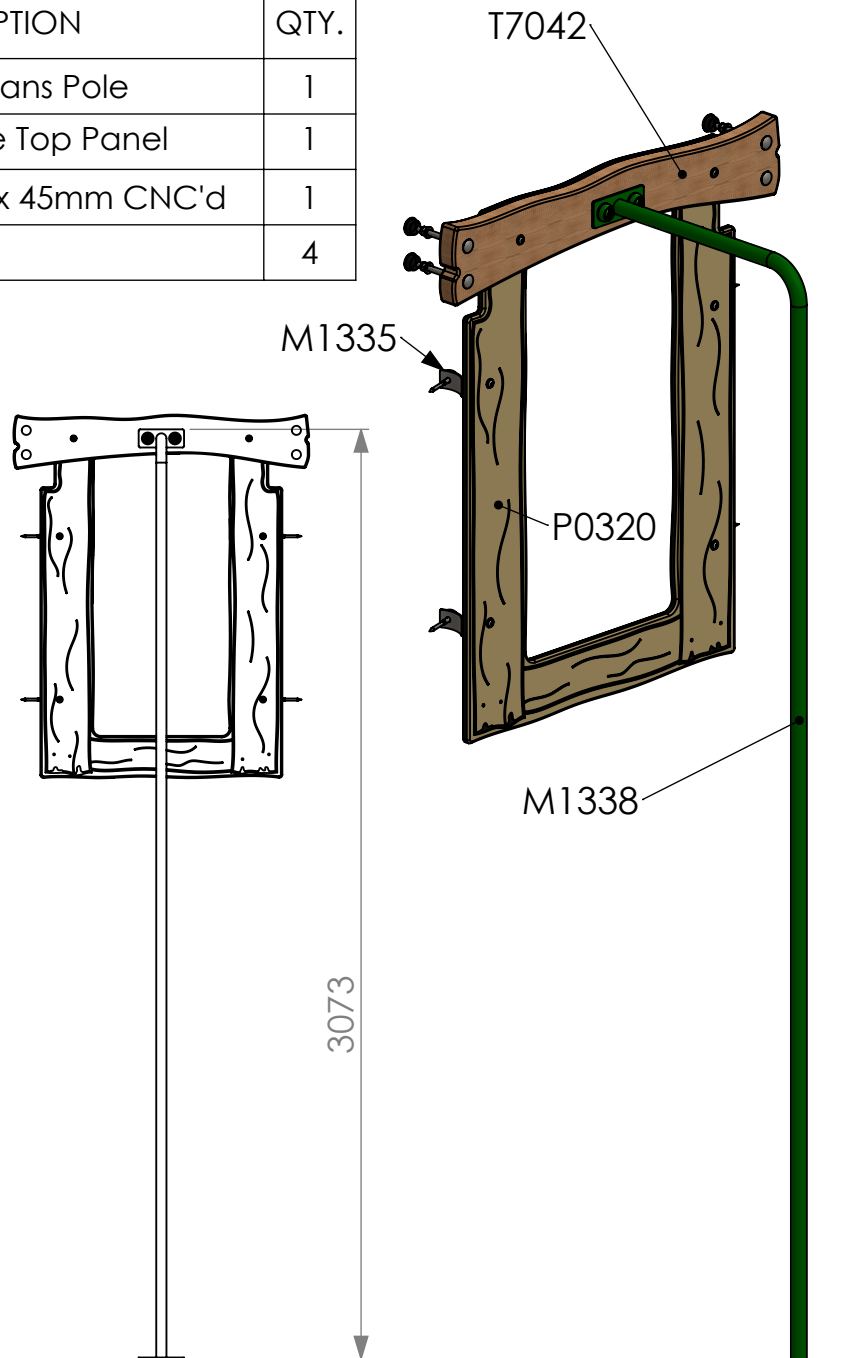
Bolt List

T7042 to Main Unit Legs
 4 no M12 150mm CSH Bolt
 4 no M12 Nyloc
 4 no M12 Washer
 4 no 33mm Black Cap

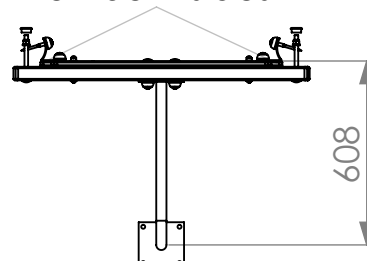
T7042 to P0320
 2 no M8 x 80mm Anti Tamper Bolt
 2 no M8 Nyloc
 4 no M8 Washer
 2 no 2 Part Green Caps

P0320 to Main Unit Legs
 4 no M1335 Panel Brackets
 4 no M8 x 40mm Anti Tamper Bolt
 4 no M8 x 75mm Coach Screw
 4 no M8 Nyloc
 12 no M8 Washer
 8 no 2 Part Green Cap

M1338 to T7042
 2 no M12 x 85mm CSH Bolt
 2 no M12 Nyloc
 2 no M12 Washer
 2 no 2 Part Green Cap



Ensure an even gap between
 HDPE Panel and timber legs
 on both sides



a e evans

Statement of Compliance: AE Evans Ltd. manufacturers of children's playground equipment follow the codes and practices outlined in the British and European Standards. By doing this, all equipment for play areas manufactured by AE Evans meets the requirements of BSEN 1176 (general safety and test methods). Spares can be supplied via equipment distributor.

A0014 - 1.5m Climbing Wall - Installation

General Information - Page 1 of 1

Revision -
Saved Date 04 November 2020 12:14:39

ITEM NO.	PART NUMBER	DESCRIPTION	QTY.
1	P0381	HDPE Flat Ladder Top Infill	1
2	T7031	Plank 998 x 195 x 45mm	1
3	P0328	1.5m HDPE Flat Climb Ladder	1
4	P0387	100mm x 60mm HDPE Bracket	1
5	M1335	HDPE Bracket Modular Tower Unit	10
6	Climb Rocks		8

T7031 to P0381

- 2 no M8 x 80mm Anti Tamper Bolts
- 2 no M8 Nyloc
- 4 no M8 Washers
- 2 no 2 Part Green Caps

T7031 to Main Unit Legs

- 4 no 100mm Timberlock Screws
- 4 no M8 Washers
- 4 no 28mm Black Caps

P0381 to Main Unit Legs and deck

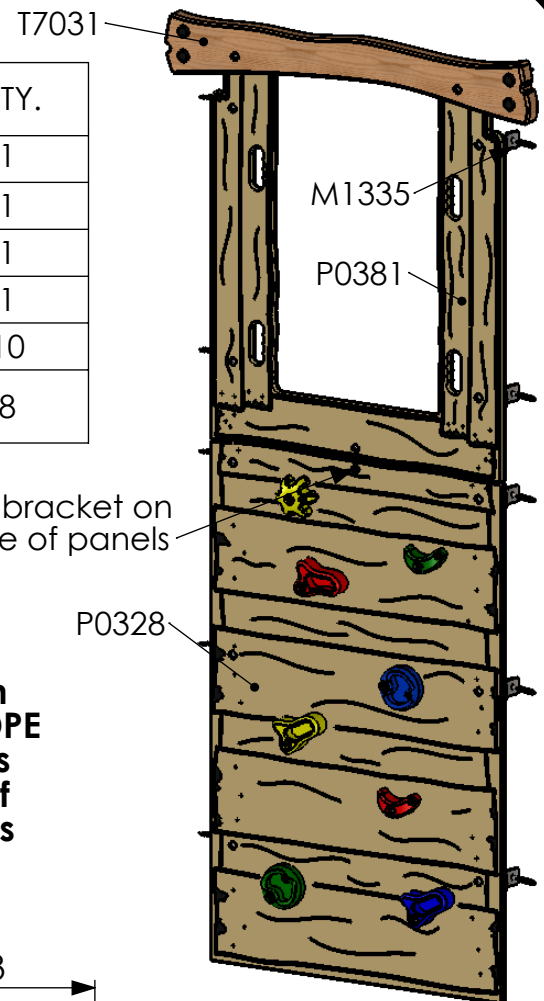
- 4 no M1335 Panel Bracket
- 4 no M8 x 40mm Anti Tamper Bolts
- 4 no M8 x 75mm Coach Screws
- 12 no M8 Washers
- 4 no M8 Nylocs
- 8 no 2 Part Green Caps
- 2 no 5 x 75mm Woodscrew

P0328 to Main Legs

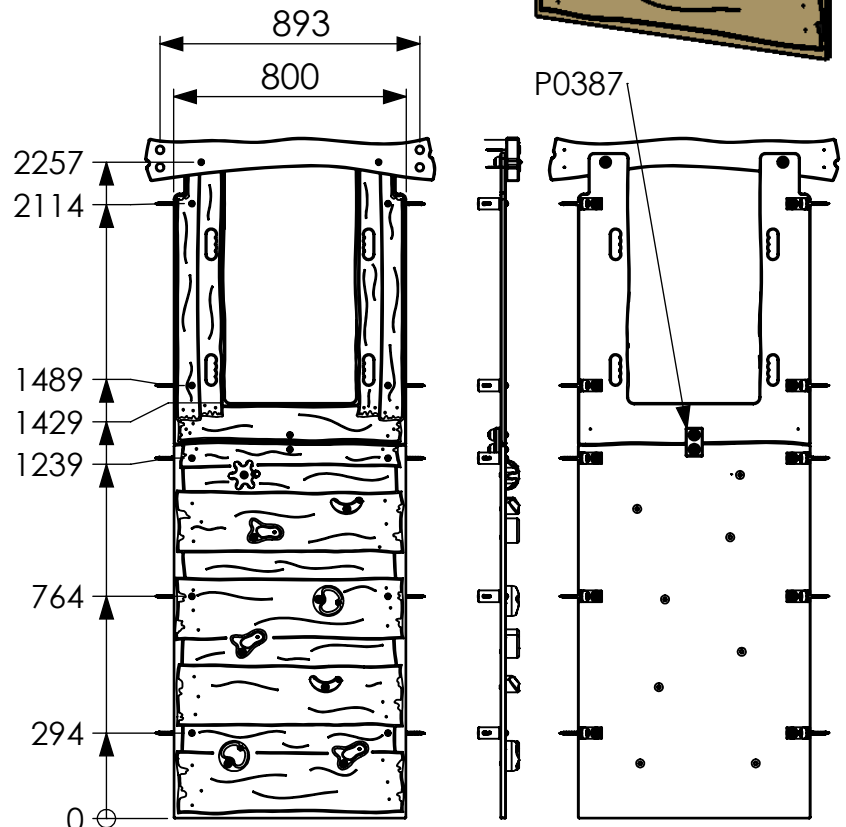
- 6 no M1335 Panel Bracket
- 6 no M8 x 40mm Anti Tamper Bolts
- 6 no M8 x 75mm Coach Screws
- 18 no M8 Washers
- 6 no M8 Nylocs
- 12 no 2 Part Green Caps

P0328 to P0381 using P0387

- 2 no M8 x 60mm Anti Tamper Bolt
- 2 no M8 Nyloc
- 4 no M8 Washers
- 2 no 2 Part Green Caps



Ensure an even gap between HDPE and timber legs on each side of the HDPE panels



ae evans

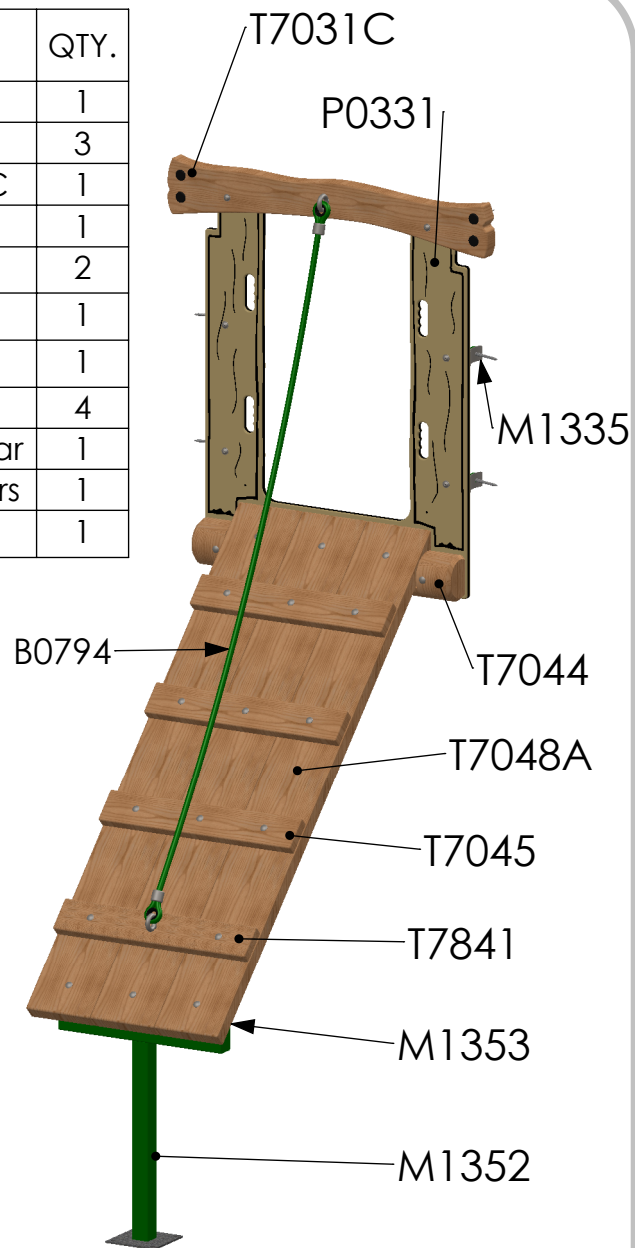
Statement of Compliance: AE Evans Ltd. manufacturers of children's playground equipment follow the codes and practices outlined in the British and European Standards. By doing this, all equipment for play areas manufactured by AE Evans meets the requirements of BSEN 1176 (general safety and test methods). Spares can be supplied via equipment distributor.

A0038 - 1.2m Access Ramp - Installation

General Information - Page 1 of 1

Revision -
Saved Date 12 July 2022 16:49:50

ITEM NO.	PART NUMBER	DESCRIPTION	QTY.
1	T7044	Timber 125mm dia, cut at 790mm DC	1
2	T7045	585 x 95 x 33mm PAR	3
3	T7841	Timber 125mm dia HR cut at 585mm DC	1
4	T7031C	Plank 1060 x 195 x 45mm CNC'd	1
5	T7048A	Plank 1602 x 195 x 45mm Angle Cut	2
6	T7048B	Plank 1602 x 195 x 45mm Angle Cut	1
7	P0331	Access Ramp Top Infill HDPE	1
8	M1335	HDPE Bracket Modular Tower Unit	4
9	M1353	Universal Ground Anchor attachment bar	1
10	M1352	Universal Ground Anchor Modular Towers	1
20	B0794	1.2m Pull Up Ramp Rope	1



Ramp section T7045x3, T7841, T7048Ax2 + T7048B come fixed together before dispatch.

Fix T7044 to Ramp assembly
3 no M8 x 100mm CSH Bolt
3 no M8 Nyloc
3 no M8 Washer

Fix T7031C to P0331
2 no M8 x 80mm CSH Bolts
2 no M8 Nyloc
4 no M8 Washers
2 no 2 Part Green Caps

T7031C to Main Unit Legs
4 no 100mm Timberlock Screws
4 no M8 Washers
4 no 28mm Black Caps

P0331 to Main Unit Legs
4 no M1335 Panel Brackets
4 no M8 x 40mm Anti Tamper Bolts
4 no M8 x 75mm Coach Screws
12 no M8 Washers
4 no M8 Nyloc
8 no 2 Part Green Caps

Ramp assembly to P0331
2 no M8 x 120mm CSH Bolt
2 no M8 Nyloc
2 no M8 Washer
2 no M8 Nut Cap
2 no 28mm Black Cap
4 no 5 x 70mm Woodscrew

M1353 to Ramp
3 no M8 x 60mm CSH Bolt
3 no M8 Nyloc
3 no M8 Washer
3 no 2 Part Green Cap

M1352 to M1353
2 no M8 x 25mm Anti Tamper Bolts
2 no M8 Nyloc
4 no M8 Washers
2 no 2 Part Green Caps

B0794 Fixings
2 no M12 Nyloc
2 no M12 Washers
2 no 2 Part Green Caps



Statement of Compliance: AE Evans Ltd. manufacturers of children's playground equipment follow the codes and practices outlined in the British and European Standards. By doing this, all equipment for play areas manufactured by AE Evans meets the requirements of BSEN 1176 (general safety and test methods). Spares can be supplied via equipment distributor.

A0008 1.2m Arched Ladder - Installation Instructions

General Information - Page 1 of 1

Revision -
Saved Date 10 February 2022 14:19:25

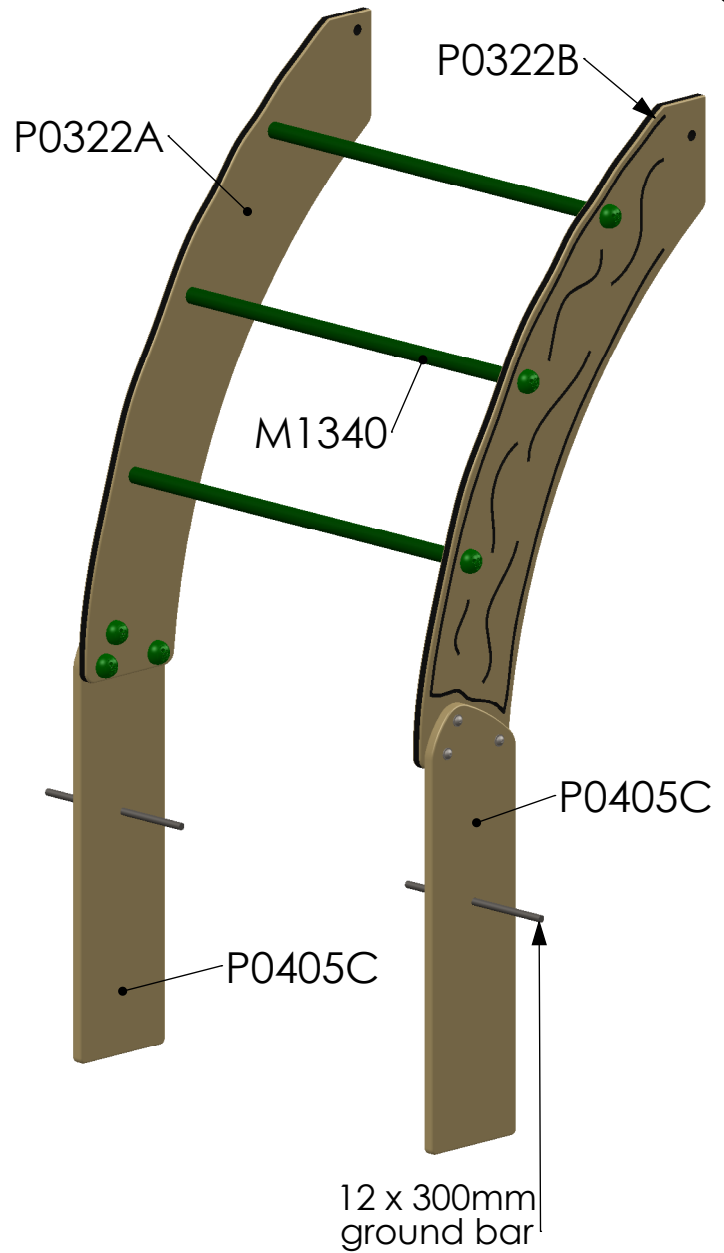
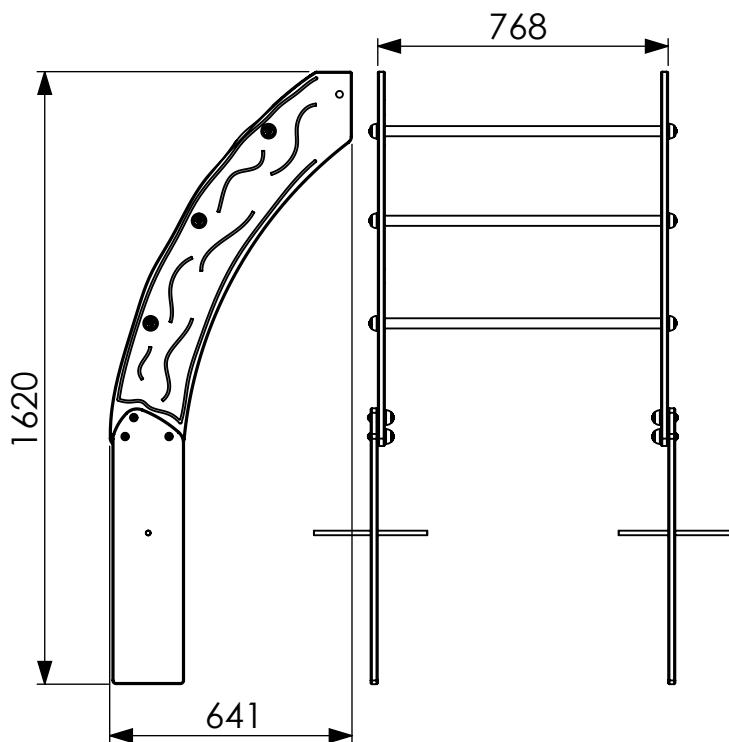
Bolt List

P0322A+P0322B to M1340(x3)
6 no M12 x 50mm Hex Bolt
6 no M12 Washer
6 no 2 Part Green Cap

P0322A+P0322B to P0405C(x2)
6 no M8 x 60mm Anti Tamper Bolt
6 no M8 Nyloc
12 no M8 Washer
6 no 2 Part Green Cap

P0322A+P0322B to Main Unit Legs
2 no M16 x 130mm CSH Bolt
2 no M16 Nyloc
2 no M16 Washer
2 no 40mm Black Caps

2 no 12mm x 300mm Steel Bar



A0008 should be fitted with an appropriate infill frame to give safe access to the deck above

ITEM NO.	PART NUMBER	DESCRIPTION	QTY.
1	P0322B	1.2m Arched Ladder LHS	1
2	P0322A	1.2m Arched Ladder RHS	1
3	P0405C	Arched Ladder Ground Support	2
4	M1340	Handrail mm x 26.9mm M12 fixings	3



Statement of Compliance: AE Evans Ltd. manufacturers of children's playground equipment follow the codes and practices outlined in the British and European Standards. By doing this, all equipment for play areas manufactured by AE Evans meets the requirements of BSEN 1176 (general safety and test methods). Spares can be supplied via equipment distributor.

A0067 - Standard Access Infill - Installation

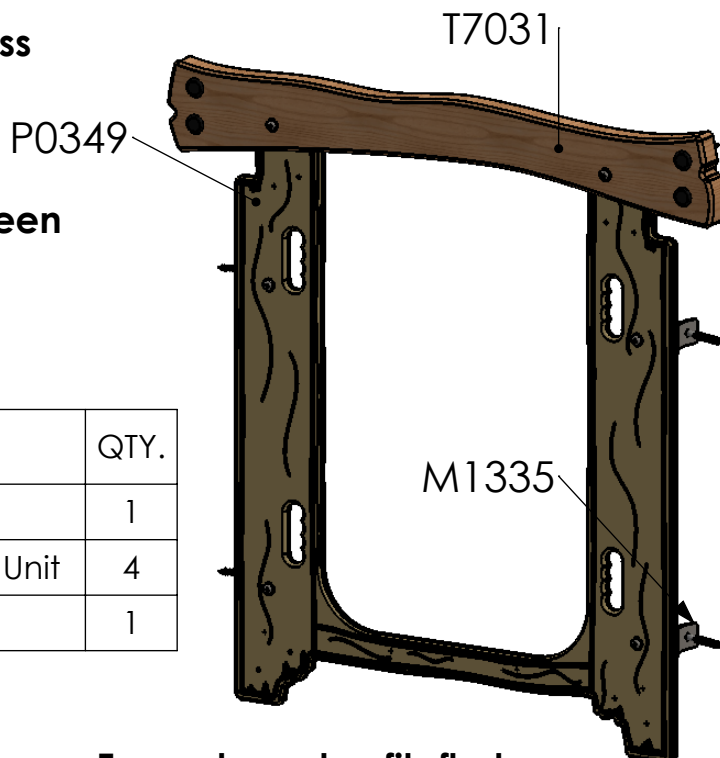
General Information - Page 1 of 1

Revision -
Saved Date 04 November 2020 12:34:07

Standard Access Infill for use with Access Nets and other deck access features.

Ensure an even gap on each side between the panel and main unit legs

ITEM NO.	PART NUMBER	DESCRIPTION	QTY.
1	T7031	Plank 998 x 195 x 45mm	1
2	M1335	HDPE Bracket Modular Tower Unit	4
3	P0349	Standard Access Infill	1



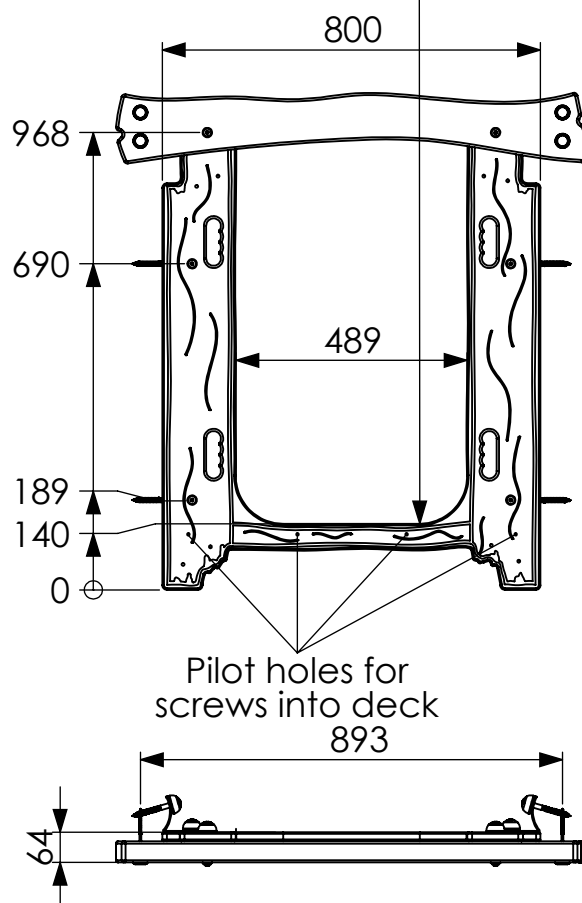
P0349 to T7031
2 no M8 x 80mm Anti Tamper Bolt
2 no M8 Nyloc
4 no M8 Washer
2 no 2 Part Green Cap

T7031 to Main Unit Legs
4 no 100mm Timberlock Screws
4 no M8 Washers
4 no 28mm Black Caps

P0349 to Main Unit Legs
4 no M1335 Panel Brackets
4 no M8 x 40mm Anti Tamper Bolt
4 no M8 x 75mm Coach Screws
4 no M8 Nyloc
12 no M8 Washers
8 no 2 Part Green Caps

P0349 to Deck
4 no 5 x 75mm Woodscrews

Ensure top edge fits flush to the deck level



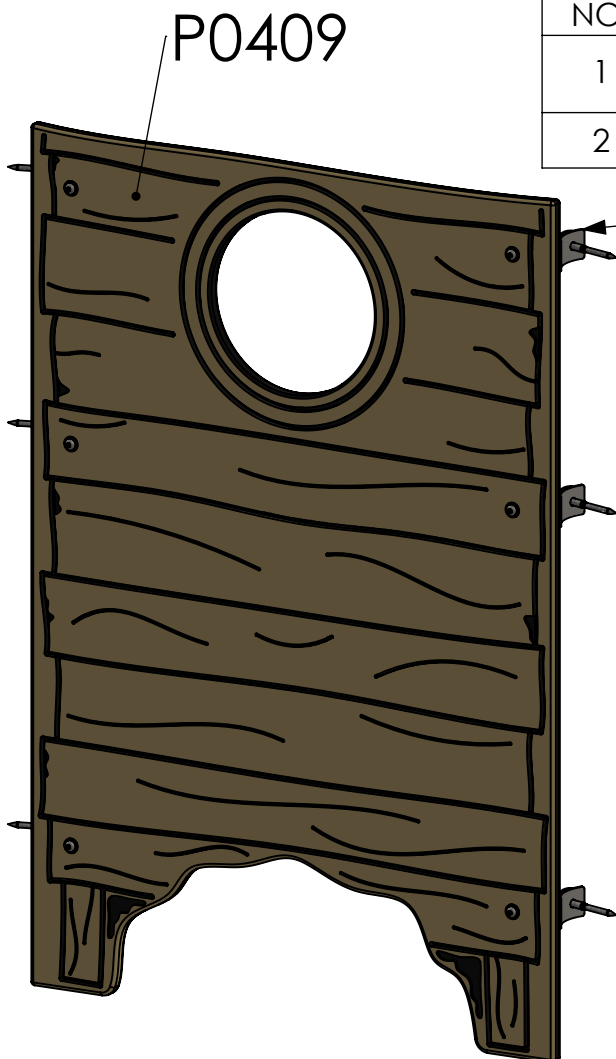
Statement of Compliance: AE Evans Ltd. manufacturers of children's playground equipment follow the codes and practices outlined in the British and European Standards. By doing this, all equipment for play areas manufactured by AE Evans meets the requirements of BSEN 1176 (general safety and test methods). Spares can be supplied via equipment distributor.

A0131 -Window with Arch - Installation

General Information - Page 1 of 1

Revision -
Saved Date 08 February 2022 14:58:44

ITEM NO.	PART NUMBER	DESCRIPTION	QTY.
1	P0409	1200mm HDPE Top Panel with Window + Under Deck Arch	1
2	M1335	Panel Bracket	6

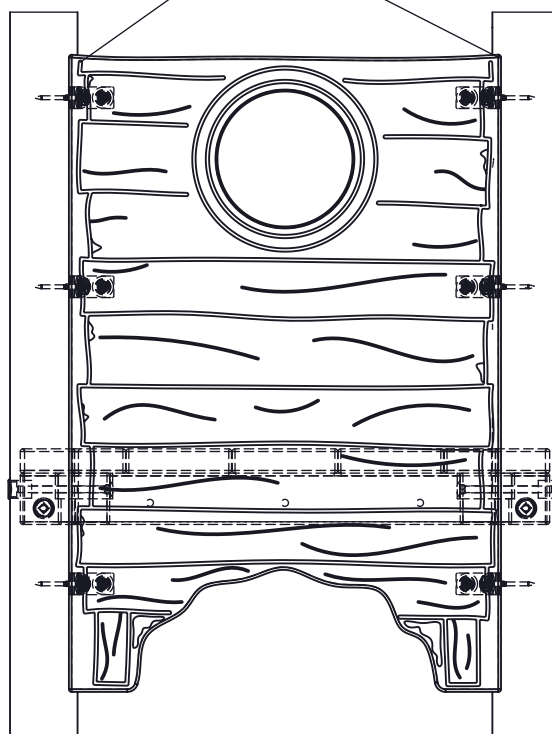


M1335

P0409 to Main Unit Legs

- 6 no M1335 Panel Brackets
- 6 no M8 x 40mm Anti Tamper Bolt
- 6 no M8 x 75mm Coach Screw
- 6 no M8 Nyloc
- 18 no M8 Washer
- 12 no 2 Part Green Cap

Ensure even gap
both sides



Ensure an even gap on each side of the panel between the plastic and main unit legs. Gaps should not exceed 5mm in width.

A0108 - Round Window Infill - Installation

General Information - Page 1 of 1

Revision -
Saved Date 03 November 2020 08:43:57

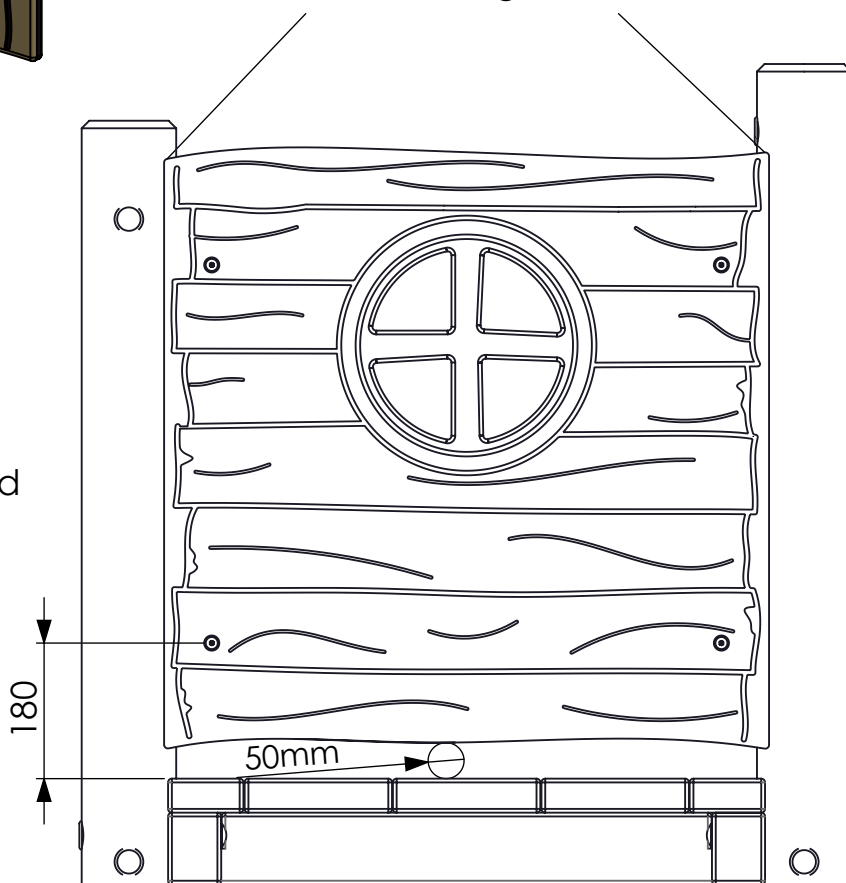


ITEM NO.	PART NUMBER	DESCRIPTION	QTY.
1	M1335	HDPE Bracket Modular Tower Unit	4
2	P0379	Rickety Window Infill Panel	1

- P0379 to Main Unit Legs
- 4 no M1335 Panel Brackets
- 4 no M8 x 40mm Anti Tamper Bolts
- 4 no M8 x 75mm Coach Screw
- 4 no M8 Nyloc
- 12 no M8 Washers
- 8 no 2 Part Green Cap

Ensure an even gap between HDPE Panel and timber legs on both sides

Ensure gap between bottom edge of infill panel and deck line is within entrapment guidelines 25>89mm
This needs the first fixing screw around 180mm up from Deck height



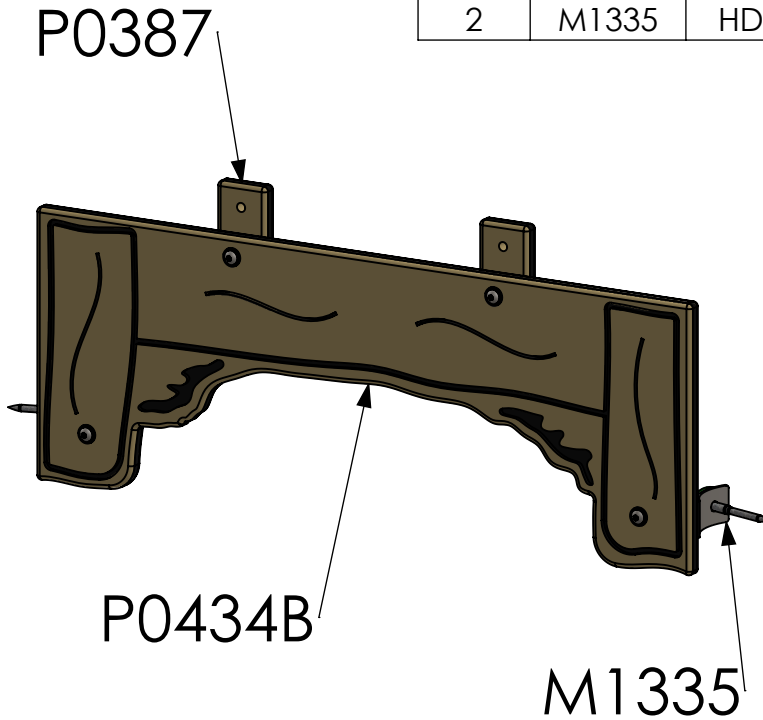
Statement of Compliance: AE Evans Ltd. manufacturers of children's playground equipment follow the codes and practices outlined in the British and European Standards. By doing this, all equipment for play areas manufactured by AE Evans meets the requirements of BSEN 1176 (general safety and test methods). Spares can be supplied via equipment distributor.

A0151B - Under Deck Small Arch - Installation

General Information - Page 1 of 1

Revision -
Saved Date 08 February 2022 14:58:44

ITEM NO.	PART NUMBER	DESCRIPTION	QTY.
1	P0345	Rickety Timber Effect Infill Panel	1
2	M1335	HDPE Bracket Modular Tower Unit	4



P0434 to Main Unit Legs

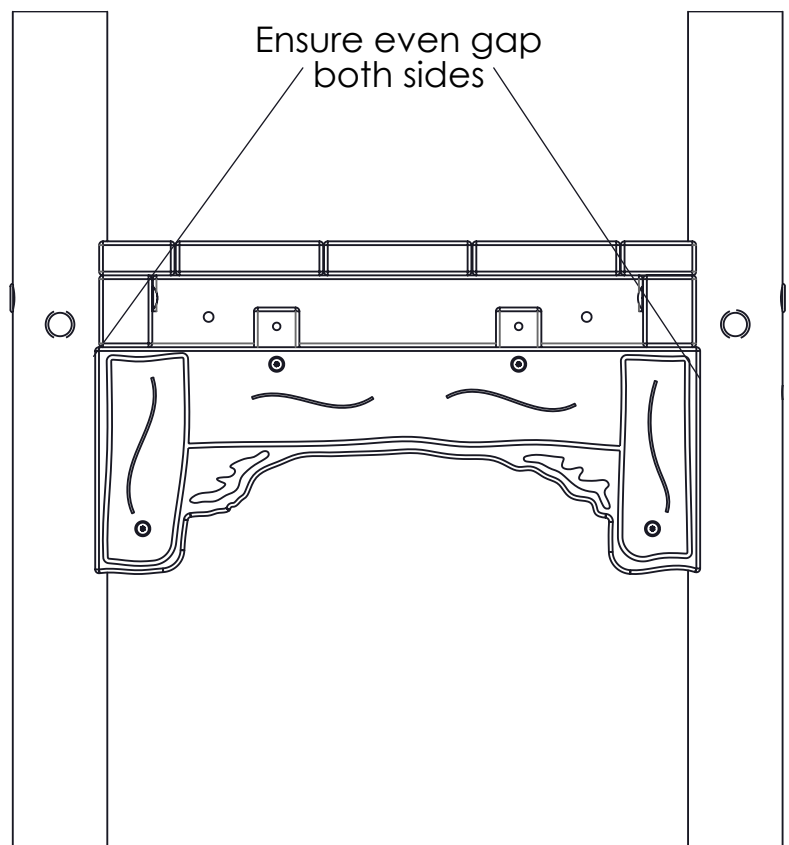
- 2 no M1335 Panel Brackets
- 2 no M8 x 40mm Anti Tamper Bolt
- 2 no M8 x 75mm Coach Screw
- 2 no M8 Nyloc
- 4 no M8 Washer
- 4 no 2 Part Green Cap

P0434 to P0387(x2)

- 2 no M8 x 60mm Anti Tamper Bolt
- 2 no M8 Nyloc
- 4 no M8 Washer
- 2 no 2 Part Green Cap

P0387 can be fixed to Timber or HDPE so may use M8 x 60mm Anti tamper bolts or 75mm Coach Screws.

Ensure top edge of P0434B fits flush against the panel or timber above it.

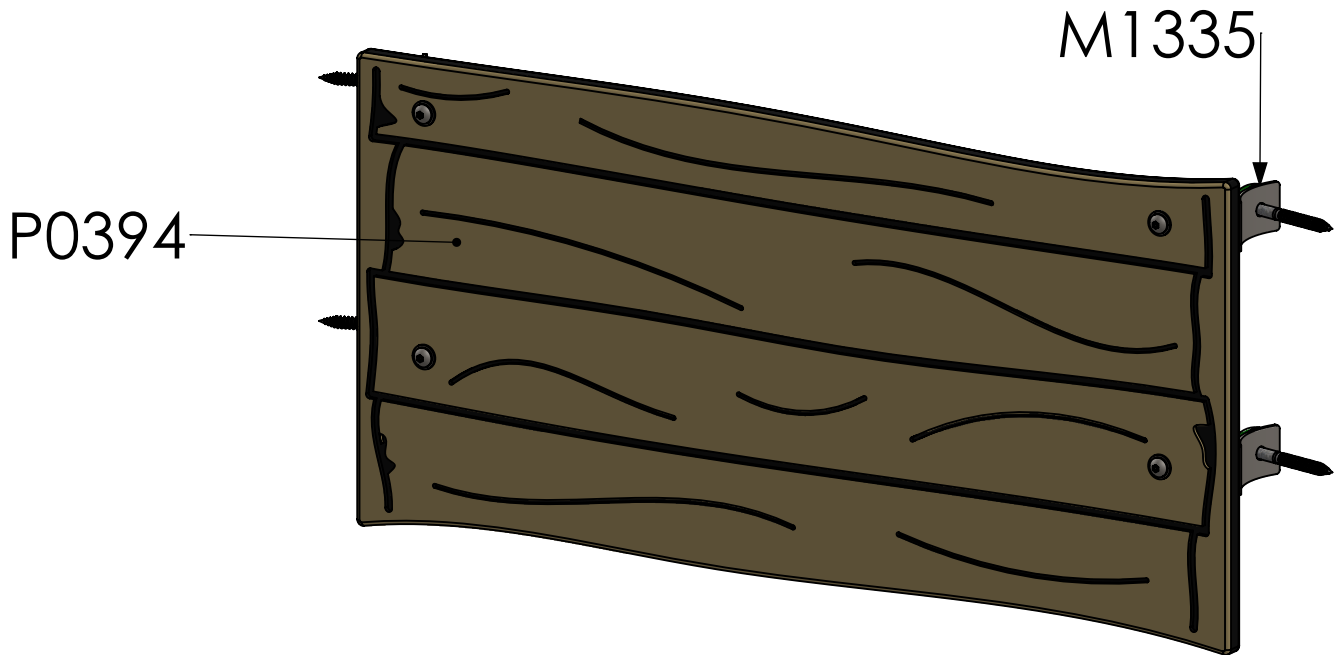


A0120 - 800x390mm Rickety Infill Panel - Installation

General Information - Page 1 of 1

Revision -
Saved Date 06 November 2020 15:46:19

ITEM NO.	PART NUMBER	DESCRIPTION	QTY.
1	M1335	HDPE Bracket Modular Tower Unit	4
2	P0394	800x390mm Rickety Infill Panel	1

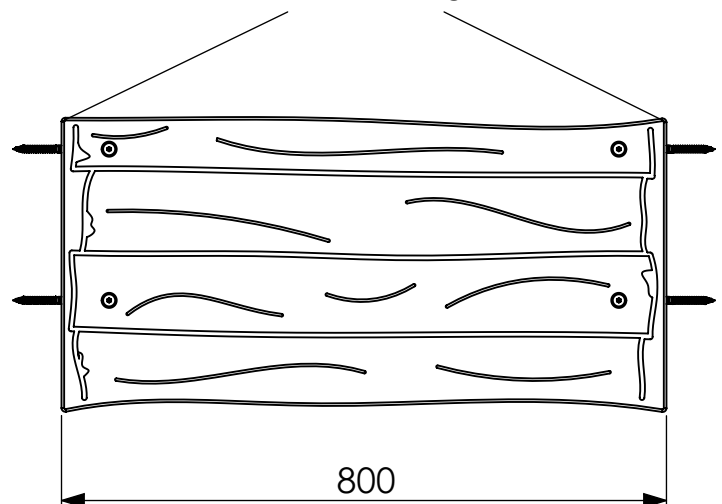


P0394 to Main Unit Legs

- 4 no M1335 Panel Brackets
- 4 no M8 x 40mm Anti Tamper Bolt
- 4 no M8 x 75mm Coach Screw
- 4 no M8 Nyloc
- 12 no M8 Washer
- 8 no 2 Part Green Cap

Ensure even gap
both sides between
HDPE Panel and
Main Unit Legs

Ensure gap between infill panel and deck (above) or deck access feature (eg. Access net) is within entrapment guidelines 25>89mm or greater than 230mm.



Statement of Compliance: AE Evans Ltd. manufacturers of children's playground equipment follow the codes and practices outlined in the British and European Standards. By doing this, all equipment for play areas manufactured by AE Evans meets the requirements of BSEN 1176 (general safety and test methods). Spares can be supplied via equipment distributor.