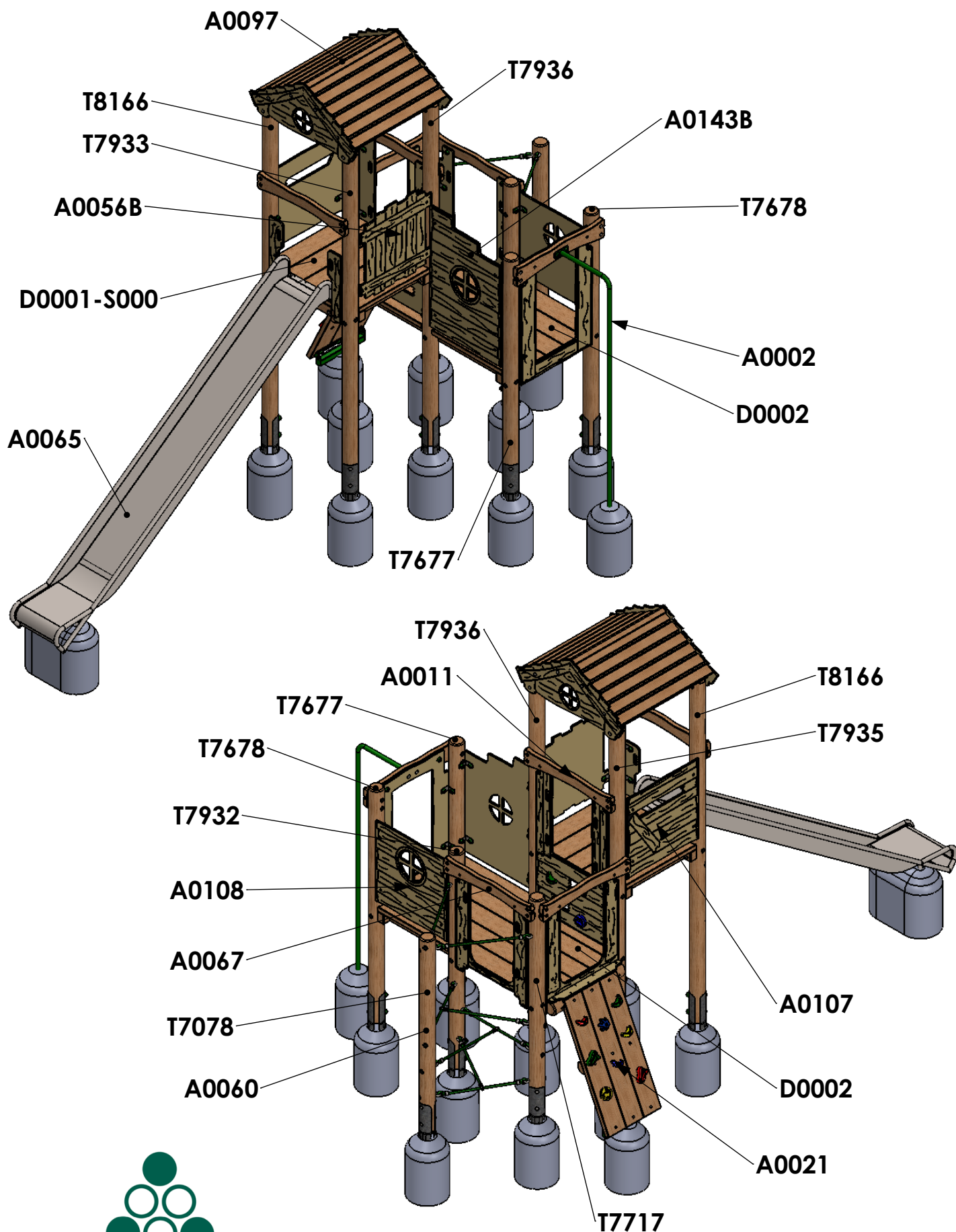


# Alt Double Deck 02 - Assembly

General Information - Page 1 of 6

Revision -  
Saved Date 10 February 2023 09:12:41



Statement of Compliance: AE Evans Ltd. manufacturers of children's playground equipment follow the codes and practices outlined in the British and European Standards. By doing this, all equipment for play areas manufactured by AE Evans meets the requirements of BSEN 1176 (general safety and test methods). Spares can be supplied via equipment distributor.

# Alt Double Deck 02 - Assembly

**Bill of Materials - Page 2 of 6**

**Revision -  
Saved Date**

Part No.	Description	Qty	Material	Assembly
T8166	Timber 125mm dia, cut at 3345mm AT	1	Timber	-
T7933	Timber 125mm dia, cut at 3345mm AT	1	Timber	-
T7935	Timber 125mm dia, cut at 3345mm AT	1	Timber	-
T7936	Timber 125mm dia, cut at 3345mm AT	1	Timber	-
T7677	Timber 125mm dia, cut at 2240mm SC	1	Timber	-
T7678	Timber 125mm dia, cut at 2240mm SC	1	Timber	-
T7717	Timber 125mm dia, cut at 2075mm SC	1	Timber	-
T7932	Timber 125mm dia, cut at 2075mm SC	1	Timber	-
T7078	Timber 125mm dia, cut at 1850mm SC	1	Timber	A0060
T7037	Timber 125mm dia, cut at 790mm DC	1	Timber	A0021
T7031	1060 x 195 x 45mm CNC'd	3	Timber	A0067,A0011+A0021
T7031B	1060 x 195 x 45mm CNC'd	1	Timber	A0065
T7042	1060 x 195 x 45mm CNC'd	1	Timber	A0002
T7093	563 x 95 x 70mm	1	Timber	A0065
Roof Strip	1018 x 45 x 20mm	2	Timber	A0097
Roof Half	Half Roof Assembly with Shiplap	2	Timber	A0097
D0001-S000	810mm Deck Drilled for Slide	1	Timber	-
D0002	Double Deck	1	Timber	-
Ramp	Climb Ramp Assembly with Grips	1	Timber	A0021
B0751	T-Shaped T-Rope	3	Ropes	A0060
B0752	Top Ropes T-Rope	2	Ropes	A0060
M1348	1.2m Fireman's Pole	1	Steel	A0002
M1352	Ramp Ground Anchor	1	Steel	A0021
M1353	Ramp Ground Anchor Bracket	1	Steel	A0021
B0719	2m Stainless Steel Slide	1	Steel	A0065
P0344B	Roof Fascia Panels	2	HDPE	A0097
P0378	Broken Slat Rickety Infill Panel	1	HDPE	A0107
P0345B	Rickety Timber Infill (cut down)	1	HDPE	A0056B
P0415B	Sloping Window Infill	1	HDPE	A0143B
P0320	Fireman's Pole Infill Panel	1	HDPE	A0002
P0379	Window Infill Panel	1	HDPE	A0108
P0349	Standard Access Infill	1	HDPE	A0067
P0330A	Climb Ramp Access Panel	1	HDPE	A0021
P0330B	Climb Ramp Closing Panel	1	HDPE	A0021
P0325	0.6m Climb Wall	1	HDPE	A0011
P0348A	Slide Infill Handle	1	HDPE	A0065
P0348B	Slide Infill Handle	1	HDPE	A0065



**a e evans**

Statement of Compliance: AE Evans Ltd. manufacturers of children's playground equipment follow the codes and practices outlined in the British and European Standards. By doing this, all equipment for play areas manufactured by AE Evans meets the requirements of BSEN 1176 (general safety and test methods). Spares can be supplied via equipment distributor.



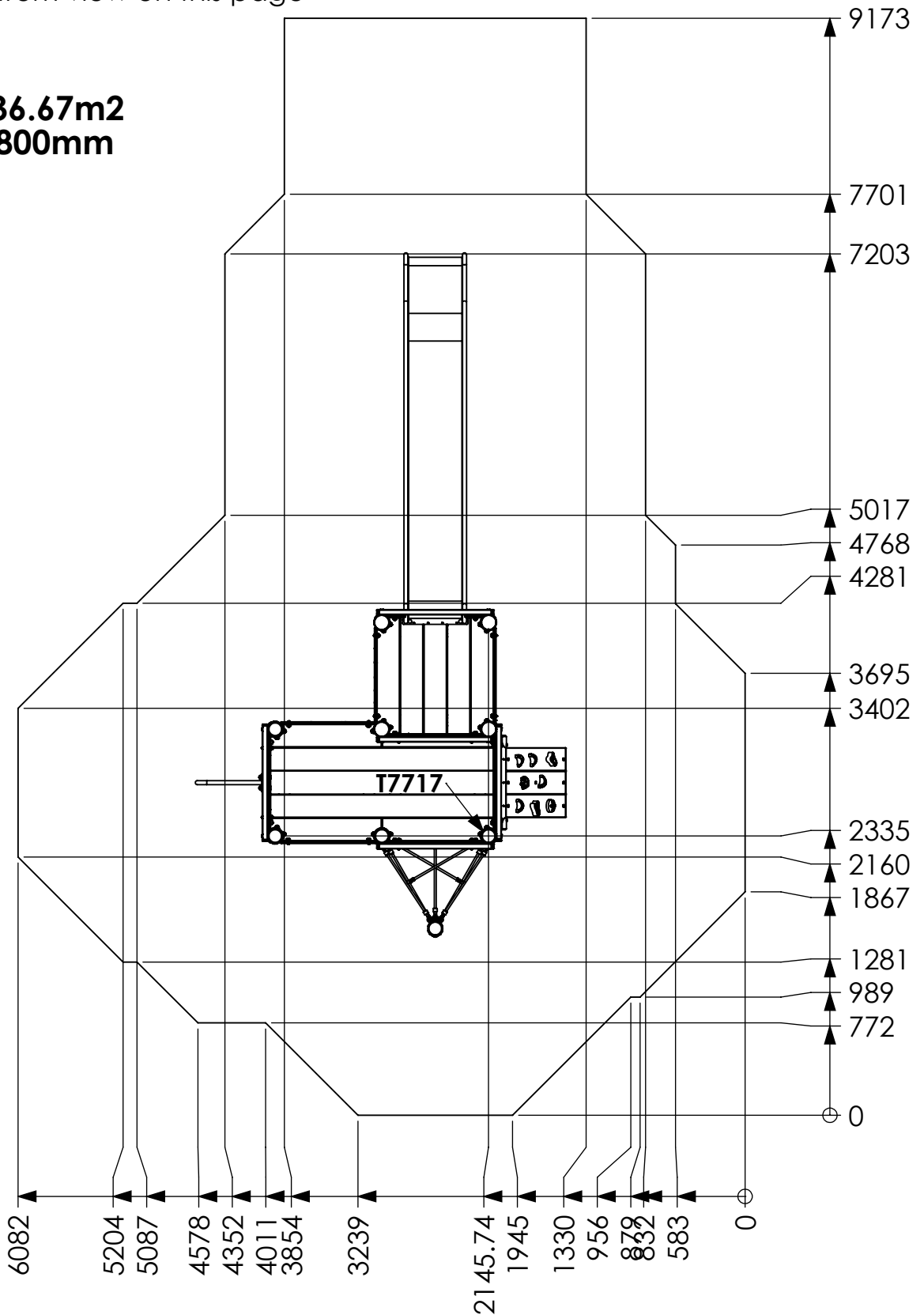
# Alt Double Deck 02 - Assembly

Surfacing Detail - Page 4 of 6

Revision -  
Saved Date 10 February 2023 09:12:41

Roof hidden from view on this page

Area = 36.67m<sup>2</sup>  
FFH = 1800mm



**a e evans**

Statement of Compliance: AE Evans Ltd. manufacturers of children's playground equipment follow the codes and practices outlined in the British and European Standards. By doing this, all equipment for play areas manufactured by AE Evans meets the requirements of BSEN 1176 (general safety and test methods). Spares can be supplied via equipment distributor.

# Alt Double Deck 02 - Assembly

**Bolt List - Page 5 of 6**

**Revision -  
Saved Date**

D0002 to T7677, T7678, T7932, T7936,  
T7935+T7717

10 No M12 x 170mm CSH Bolts  
10 No M12 Nyloc  
10 No M12 Washer  
10 No 33mm Black Cap

D0001-S000 to T7936, T7935,  
T8166+T7933

8 No M12 x 170mm CSH Bolts  
8 No M12 Nyloc  
8 No M12 Washer  
8 No 33mm Black Cap

A0097 to T7936, T7935, T8166+T7933

4 No M12 x 130mm CSH Bolt  
8 No M12 x 80mm CSH Bolt  
12 No M12 Nyloc  
12 No M12 Washer  
4 No 33mm Black Cap  
8 No 2 Part Green Cap  
4 No 70mm CSK Screws  
4 No 40mm CSK Screws

A0065 to T8166, T7933 +D0001-S000

4 No M1335 Panel Bracket  
3 No M12 x 180mm CSH Bolt  
2 No M12 x 130mm CSH Bolt  
2 No M12 x 25mm Hex Bolt  
7 No M12 Nyloc  
9 No M12 Washers  
2 No 33mm Black Caps  
4 No 100mm Timberlock Screw  
4 No M8 x 75mm Coach Screw  
4 No M8 x 40mm Anti Tamper Bolt  
4 No M8 Nyloc  
16 No M8 Washer  
11 No 2 Part Green Cap  
4 No 28mm Black Cap  
6 No 70mm CSK Screws

A0021 to T7935+T7717

4 No M1335 Panel Bracket  
4 No M8 x 40mm Anti Tamper Bolt  
2 No M8 x 80mm Anti Tamper Bolt  
2 No M8 x 25mm Anti Tamper Bolt  
3 No M8 x 65mm CSH Bolts  
3 No M8 x 100mm CSH Bolts  
2 No M8 x 120mm CSH Bolts  
2 No M8 x 150mm CSH Bolts  
4 No 100mm Timberlock  
4 No M8 x 75mm Coach Screw  
34 No M8 Washers  
18 No M8 Nyloc  
1 No M8 (5mm) A.T.Key  
16 No 2 Part Green Cap  
4 No 28mm Black Cap  
4 No M8 Nut Cap  
9 No 70mm CSK Screws

A0060 to T7717+T7932

13 No M12 Nyloc  
13 No M12 Washer  
13 No 33mm Black Cap

A0002 to T7677+T7678

4 No M1335 Panel Bracket  
4 No M12 x 150mm CSH Bolt  
2 No M12 x 85mm CSH Bolt  
6 No M12 Nyloc  
6 No M12 Washers  
4 No 33mm Black Caps  
4 No M8 x 75mm Coach Screw  
2 No M8 x 80mm Anti Tamper Bolt  
4 No M8 x 40mm Anti Tamper Bolt  
6 No M8 Nyloc  
16 No M8 Washer  
12 No 2 Part Green Cap

A0011 to T7935+T7936

6 No M1335 - Panel Bracket  
6 No M8 x 40mm Anti Tamper Bolt  
2 No M8 x 60mm Anti Tamper Bolt  
2 No M8 x 80mm Anti Tamper Bolt  
6 No M8 x 75mm Coach Screw  
4 No 100mm Timberlock  
26 No M8 Washer  
8 No M8 Nyloc  
14 No 2 Part Green Cap  
4 No 28mm Black Cap  
2 No 70mm CSK Screws

A0067 to T7717+T7932

4 No M1335 - Panel Bracket  
4 No M8 x 40mm Anti Tamper Bolt  
2 No M8 x 80mm Anti Tamper Bolt  
4 No M8 x 75mm Coach Screw  
4 No 100mm Timberlock  
20 No M8 Washer  
6 No M8 Nyloc  
10 No 2 Part Green Cap  
4 No 28mm Black Cap  
4 No 70mm CSK Screws

A0108 to T7678+T7932

4 No M1335 - Panel Bracket  
4 No M8 x 40mm Anti Tamper  
4 No M8 Nyloc  
12 No M8 Washer  
4 No M8 x 75mm Coach Screw  
8 No 2 Part Green Caps

A0143B to T7677+T7936

5 No M1335 - Panel Bracket  
5 No M8 x 40mm Anti Tamper  
5 No M8 Nyloc  
15 No M8 Washer  
5 No M8 x 75mm Coach Screw  
10 No 2 Part Green Bolt Cover

A0056B to T7933+T7936

4 No M1335 - Panel Bracket  
4 No M8 x 40mm Anti Tamper  
4 No M8 Nyloc  
12 No M8 Washer  
4 No M8 x 75mm Coach Screw  
8 No 2 Part Green Bolt Cover

A0107 to T8166+T7935

4 No M1335 - Panel Bracket  
4 No M8 x 40mm Anti Tamper  
4 No M8 Nyloc  
12 No M8 Washer  
4 No M8 x 75mm Coach Screw  
8 No 2 Part Green Bolt Cover



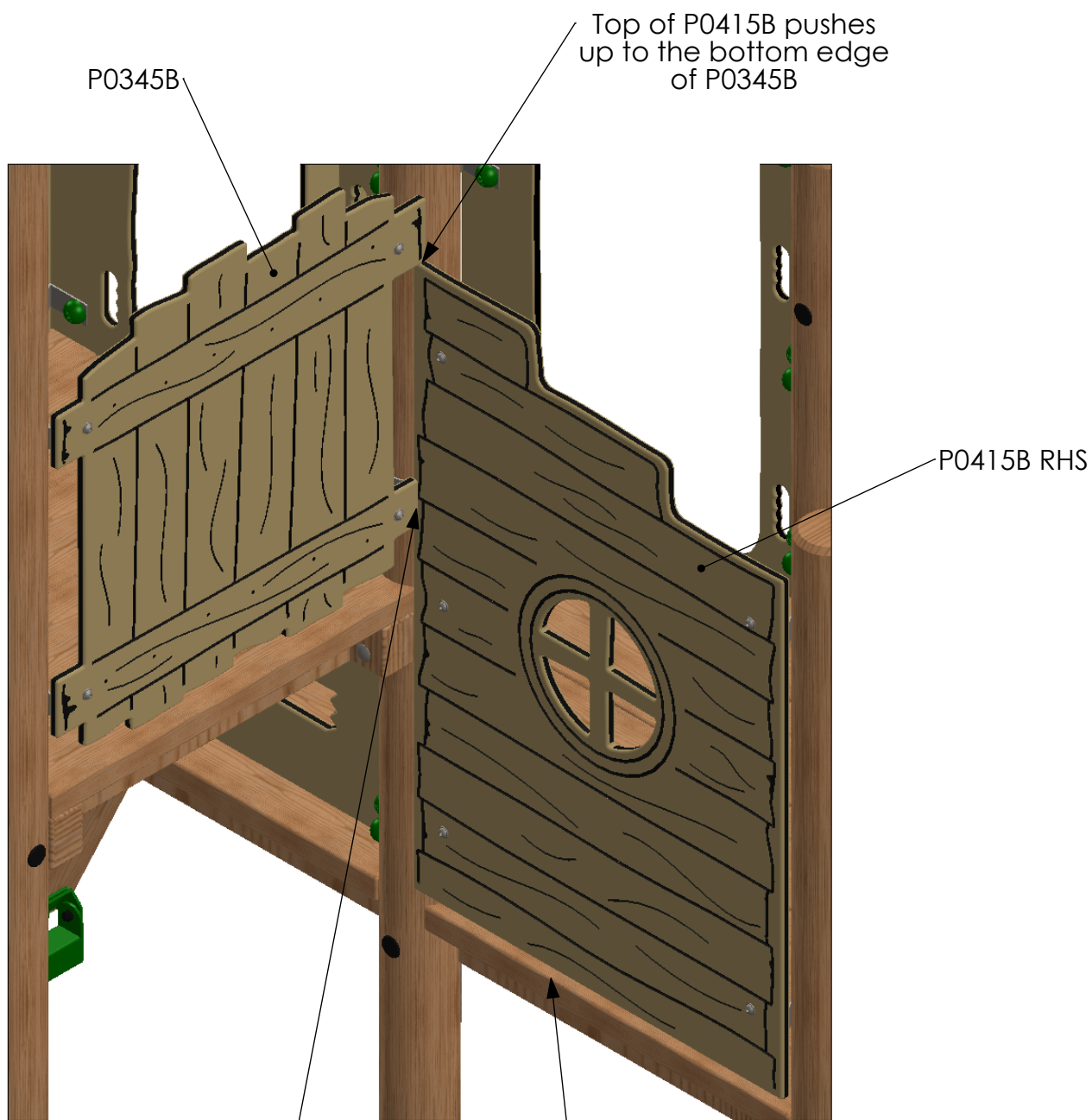
**ae evans**

Statement of Compliance: AE Evans Ltd. manufacturers of children's playground equipment follow the codes and practices outlined in the British and European Standards. By doing this, all equipment for play areas manufactured by AE Evans meets the requirements of BSEN 1176 (general safety and test methods). Spares can be supplied via equipment distributor.

# Alt Double Deck 02 - Assembly

Infill Panel Details - Page 6 of 6

Revision -  
Saved Date 10 February 2023 09:12:41



P0345B is cut down by 19mm here to avoid panels clashing

Fit with a 40mm gap between bottom edge of the panel and timber deck

Ensure the gaps between the bottom of each panel and the deck below is greater than 25mm and less than 89mm to avoid entrapments



**a e evans**

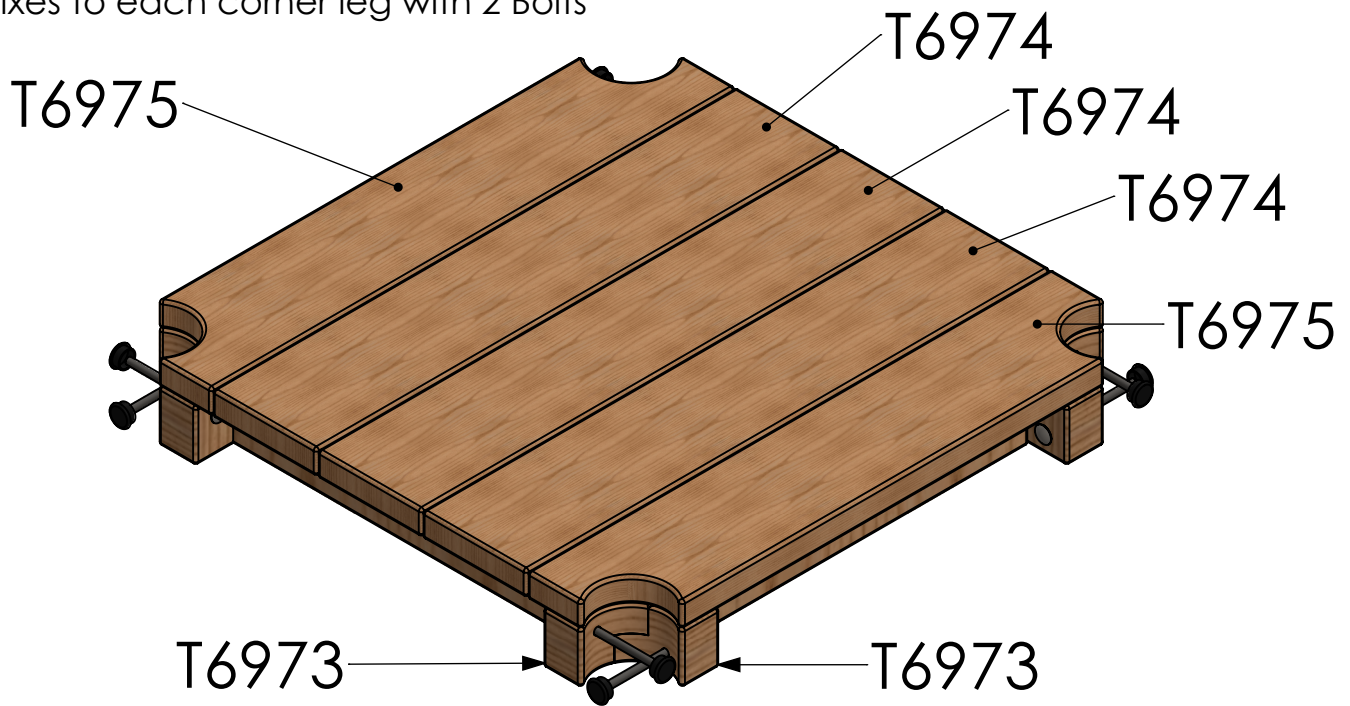
Statement of Compliance: AE Evans Ltd. manufacturers of children's playground equipment follow the codes and practices outlined in the British and European Standards. By doing this, all equipment for play areas manufactured by AE Evans meets the requirements of BSEN 1176 (general safety and test methods). Spares can be supplied via equipment distributor.

# D0001 - Deck - Installation

General Information - Page 1 of 1

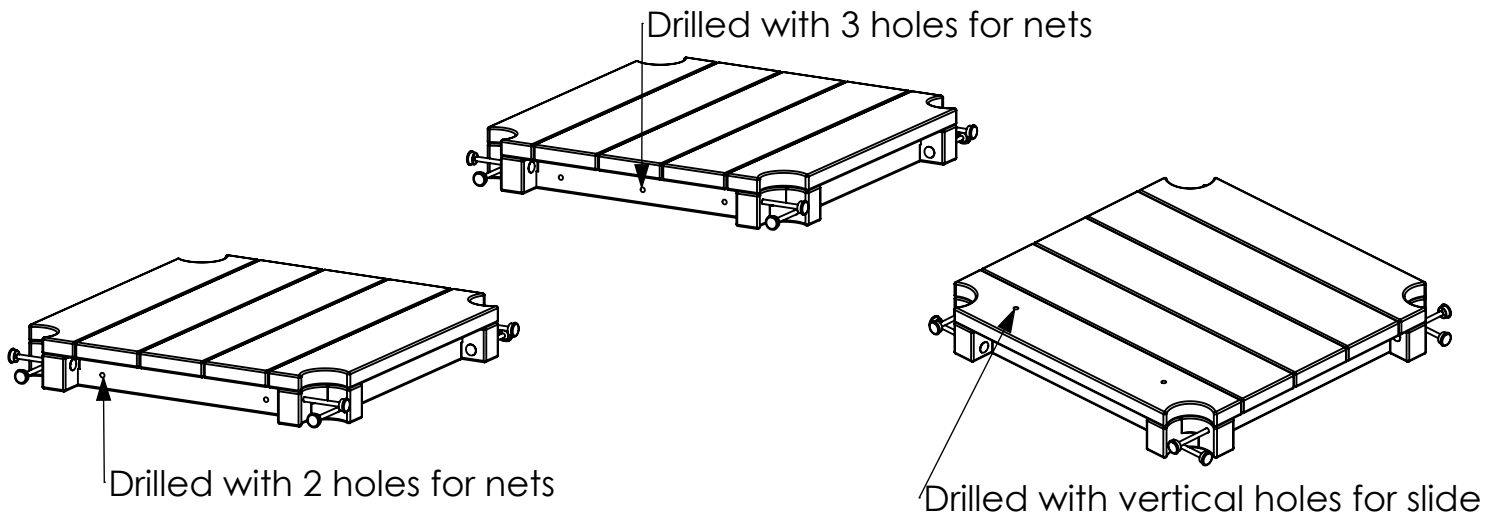
Revision -  
Saved Date 08 October 2020 12:41:03

Deck fixes to each corner leg with 2 Bolts



ITEM NO.	PART NUMBER	DESCRIPTION	QTY.
1	T6973	Tower Post 980 x 95 x 95mm	4
2	T6974	Plank 980 x 195 x 45mm	3
3	T6975	Plank 980 x 195 x 45mm	2

**Fix deck to Main Unit Legs**  
 8 no M12 x 170mm CSH Bolts  
 8 no M12 Washers  
 8 no M12 Nyloc  
 8 no 33mm Black Caps



**If deck is drilled for Nets, Slide or any other feature refer to unit instructions for positioning instructions.**



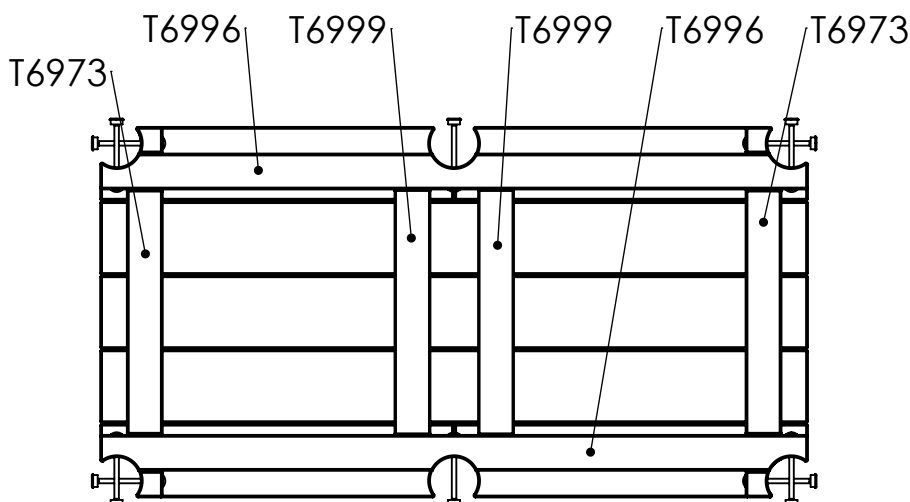
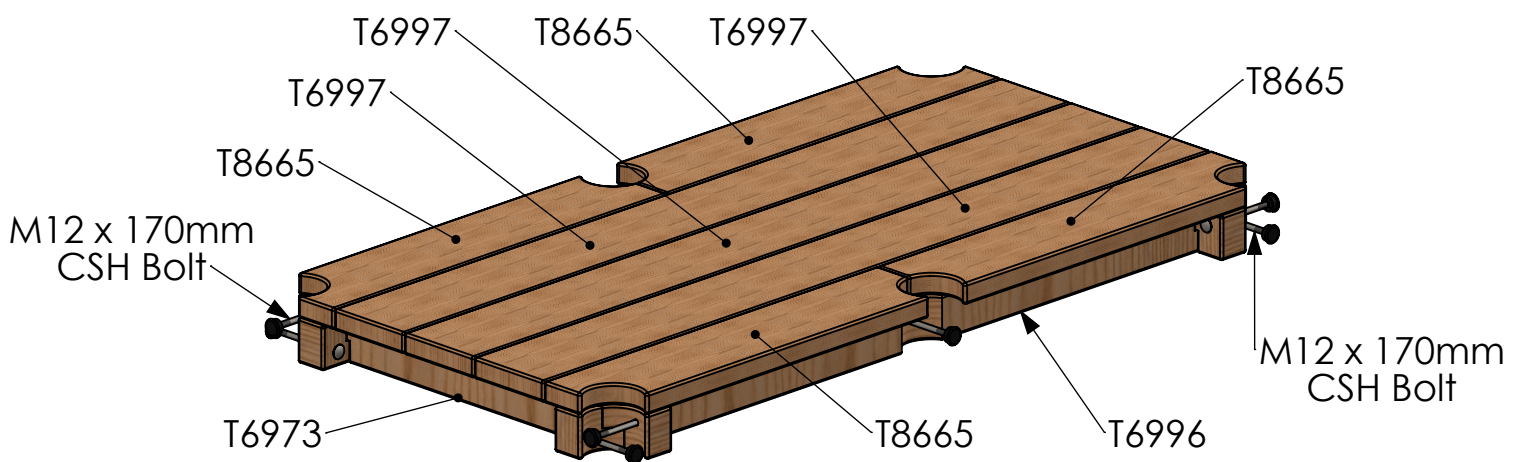
Statement of Compliance: AE Evans Ltd. manufacturers of children's playground equipment follow the codes and practices outlined in the British and European Standards. By doing this, all equipment for play areas manufactured by AE Evans meets the requirements of BSEN 1176 (general safety and test methods). Spares can be supplied via equipment distributor.

# D0002 - Double Deck Installation Instructions

General Information - Page 1 of 1

Revision -  
Saved Date 03 February 2023 14:09:52

ITEM NO.	PART NUMBER	DESCRIPTION	QTY.
1	T6996	Tower Post 1872 x 95 x 95mm	2
2	T6973	Tower Post 980 x 95 x 95mm	2
3	T6997	Plank 1872 x 195 x 45mm	3
4	T6999	Post 744 x 95 x 95mm	2
5	T8665	Plank 936 x 195 x 45mm	4



**Fix Deck to main unit legs**  
 10 no M12 x 170mm CSH bolt  
 10 no M12 Washer  
 10 no M12 Nyloc  
 10 no 33mm Black Cap

**T8665(x4) to deck assembly**  
 16 no 70mm CSK Screws

T8665 should be removed for installation and can be reinstated once the deck is secured to all 6 timber legs.

If deck is drilled for Nets, Slide or any other feature refer to unit instructions for positioning instructions.

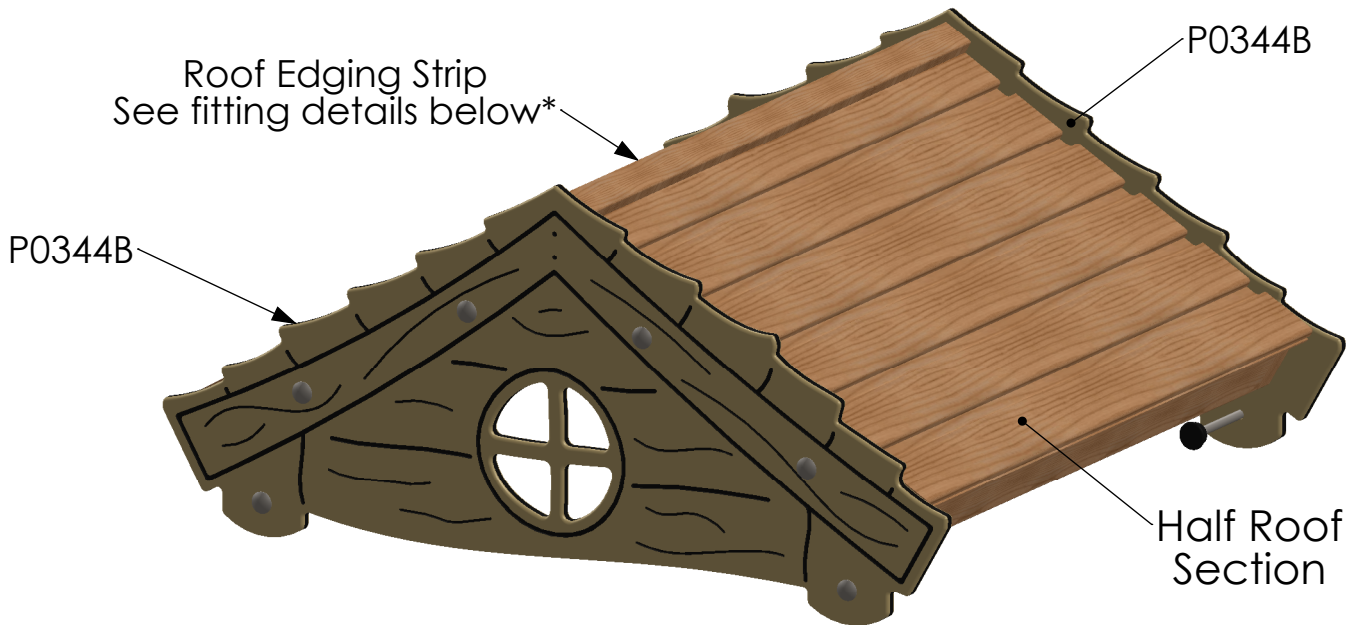


Statement of Compliance: AE Evans Ltd. manufacturers of children's playground equipment follow the codes and practices outlined in the British and European Standards. By doing this, all equipment for play areas manufactured by AE Evans meets the requirements of BSEN 1176 (general safety and test methods). Spares can be supplied via equipment distributor.

# A0097 - Rickety Roof - Installation

General Information - Page 1 of 1

Revision -  
Saved Date 22 July 2021 12:05:49



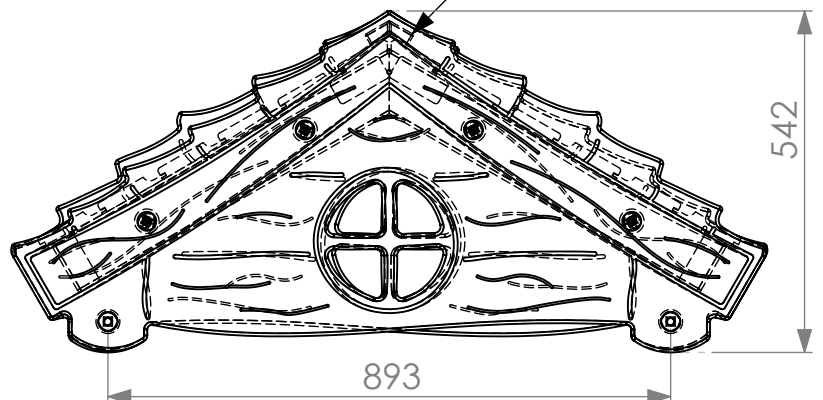
ITEM NO.	PART NUMBER	DESCRIPTION	QTY.
1	P0344B	Rickety Roof Fascia B	2
2	Timber 620 x 89 x 39mm	Timber 620 x 89 x 39mm	4
3	Timber 940 x 89 x 39mm	Timber 940 x 89 x 39mm	4
4	T2633 Shiplap	Shiplap Board	12
5	Roof Edging Strip	1018 x 45 x 20mm	2

Assemble roof by fixing P0344B to both roof halves using  
 8 no M12 x 80mm CSH Bolts  
 8 no M12 Washers  
 8 no M12 Nylocs  
 8 no 2 Part Green Caps

Fix completed roof to main unit legs using  
 4 no M12 x 130mm CSH Bolt  
 4 no M12 Washer  
 4 no M12 Nyloc  
 4 no 33mm Black Caps

Fix Roof Edging Strip to cover gap between shiplap  
 4 no 70mm Woodscrews  
 4 no 40mm Woodscrews

\*Roof edging strips are angle cut to cover the gap between shiplap roof halves and must be screwed in place. Pilot holes must be drilled before fixing in place with a 70mm woodscrew at each end and 2 no. 40mm woodscrews in the middle of each edging strip.



# A0065 - 1.8m Slide - Installation

General Information - Page 1 of 2

Revision -  
Saved Date 04 April 2022 14:27:59

ITEM NO.	PART NUMBER	DESCRIPTION	QTY.
1	T7031B	Plank 1060 x 195 x 45mm CNC'd	1
2	T7093	Post 563 x 95 x 70mm	1
3	P0348A	Slide Infill Panel A	1
4	P0348B	Slide Infill Panel B	1
5	B0719 - 2m Slide	2m-1.8m Bolt Down Steel Slide	1
6	M1335	Panel Bracket	4

## Slide B0719 fixes to deck and T7093

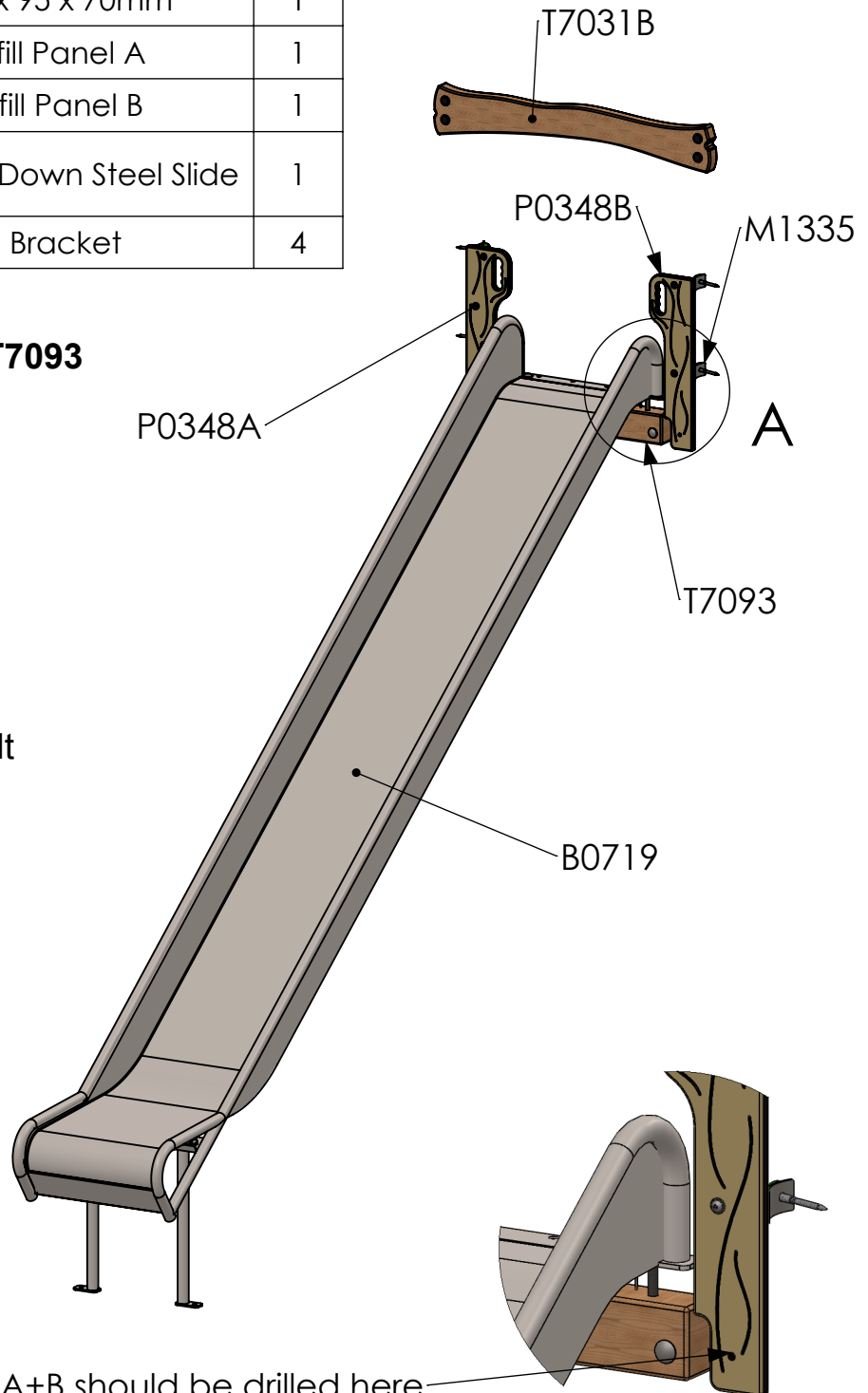
- 3 no M12 x 180mm CSH Bolt
- 2 no M12 x 130mm CSH Bolt
- 5 no M12 Nyloc
- 5 no M12 Washer
- 2 no 33mm Black Cap
- 3 no 2 Part Green Cap
- 4 no 70mm CSK Head Screws

## P0348A/B to Main Unit Legs

- 4 no M1335 Panel Brackets
- 4 no M8 x 40mm Anti Tamper Bolt
- 4 no M8 x 75mm Coach Screw
- 4 no M8 Nyloc
- 12 no M8 Washer
- 8 no 2 Part Green Cap
- 2 no 70mm Screws

## T7031B to Main Unit Legs

- 4 no 100mm Timberlock screws
- 4 no M8 Washers
- 4 no 28mm Black Caps



P0348A+B should be drilled here  
to screw into the end of the  
rail running under the deck

DETAIL A  
SCALE 1 : 9



Statement of Compliance: AE Evans Ltd. manufacturers of children's playground equipment follow the codes and practices outlined in the British and European Standards. By doing this, all equipment for play areas manufactured by AE Evans meets the requirements of BSEN 1176 (general safety and test methods). Spares can be supplied via equipment distributor.

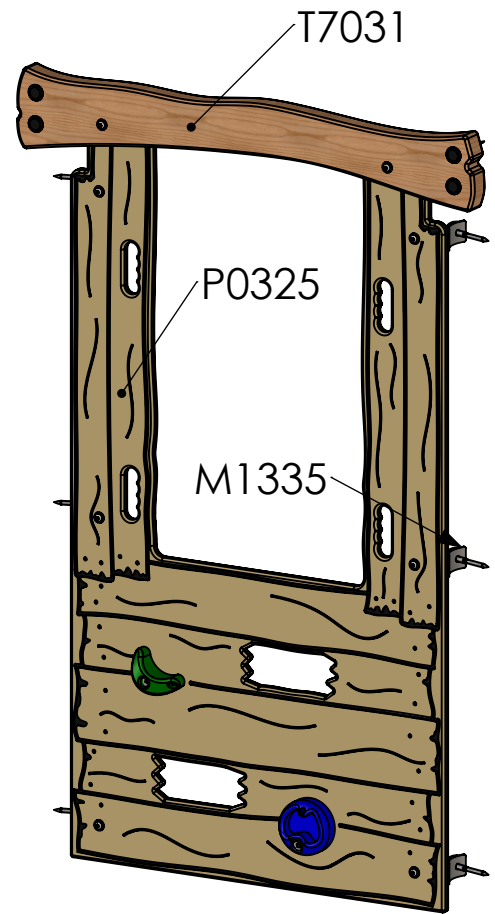


# A0011 - 0.6m Climb Wall - Installation

General Information - Page 1 of 1

Revision -  
Saved Date 24 September 2021 14:46:49

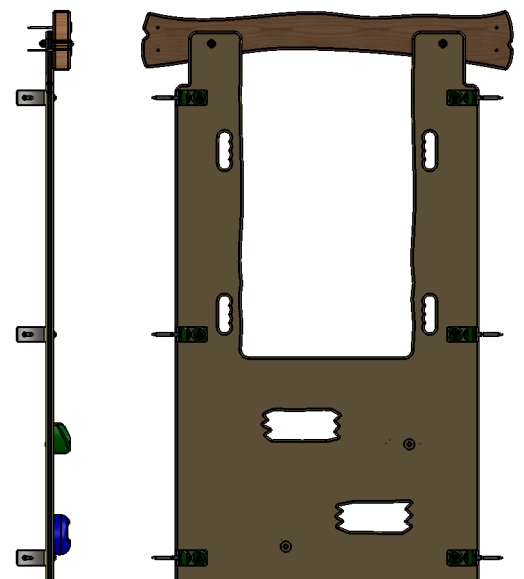
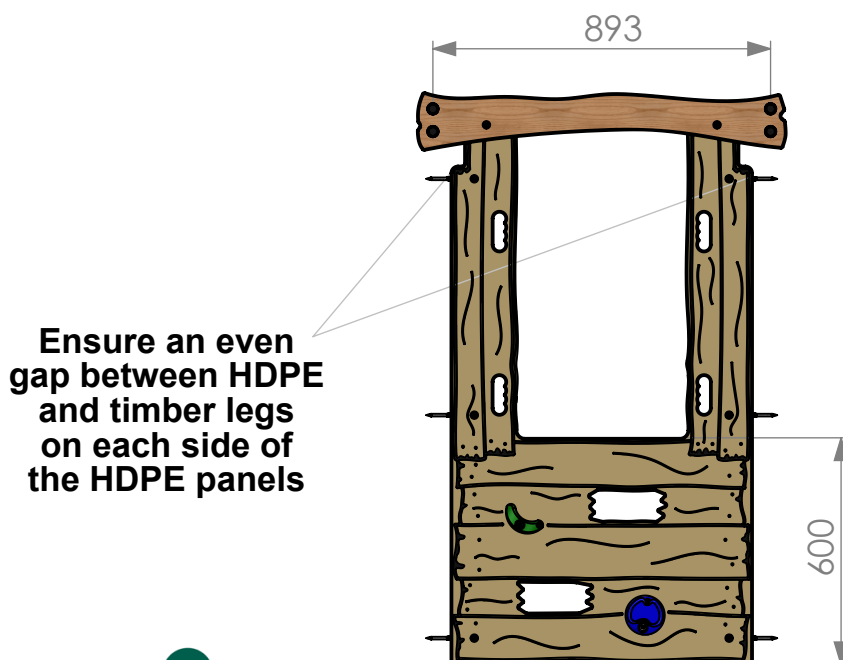
ITEM NO.	PART NUMBER	DESCRIPTION	QTY.
1	T7031	Plank 1060 x 195 x 45mm CNC'd	1
2	P0325	0.6m HDPE Flat Ladder Wall	1
3	M1335		6



T7031 to P0325  
 2 no M8 x 80mm Anti Tamper Bolts  
 2 no M8 Nyloc  
 4 no M8 Washers  
 2 no 2 Part Green Caps

T7031 to Main Unit Legs  
 4 no 100mm Timberlock Screws  
 4 no M8 Washers  
 4 no 28mm Black Caps

P0325 to Main Unit Legs and deck  
 6 no M1335 Panel Bracket  
 6 no M8 x 40mm Anti Tamper Bolts  
 6 no M8 x 75mm Coach Screws  
 18 no M8 Washers  
 6 no M8 Nylocs  
 12 no 2 Part Green Caps  
 2 no 5 x 70mm Woodscrew



Statement of Compliance: AE Evans Ltd. manufacturers of children's playground equipment follow the codes and practices outlined in the British and European Standards. By doing this, all equipment for play areas manufactured by AE Evans meets the requirements of BSEN 1176 (general safety and test methods). Spares can be supplied via equipment distributor.

# A0002 - 1.2m Firemans Pole - Installation

General Information - Page 1 of 1

Revision -  
Saved Date 12 July 2022 11:21:57

ITEM NO.	PART NUMBER	DESCRIPTION	QTY.
1	T7042	Plank 1060 x 195 x 45mm CNC'd	1
2	M1335	HDPE Bracket Modular Tower Unit	4
3	M1348	1.2m Firemans Pole	1
4	P0320	Firemans Pole Top Panel	1

## Bolt List

### T7042 to Main Unit Legs

- 4 no M12 150mm CSH Bolt
- 4 no M12 Nyloc
- 4 no M12 Washer
- 4 no 33mm Black Cap

### T7042 to P0320

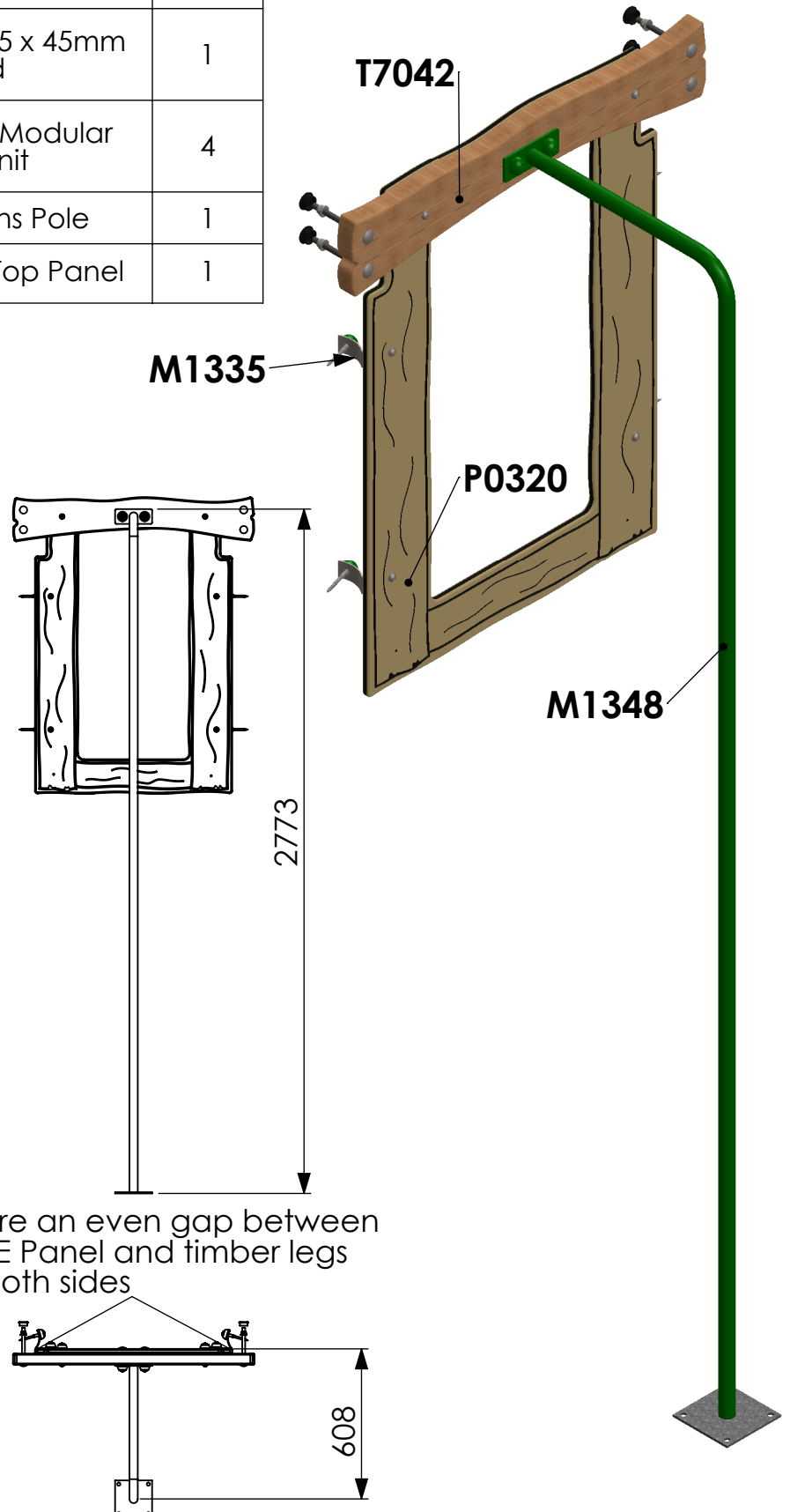
- 2 no M8 x 80mm Anti Tamper Bolt
- 2 no M8 Nyloc
- 4 no M8 Washer
- 2 no 2 Part Green Caps

### P0320 to Main Unit Legs

- 4 no M1335 Panel Brackets
- 4 no M8 x 40mm Anti Tamper Bolt
- 4 no M8 x 75mm Coach Screw
- 4 no M8 Nyloc
- 12 no M8 Washer
- 8 no 2 Part Green Cap

### M1348 to T7042

- 2 no M12 x 85mm CSH Bolt
- 2 no M12 Nyloc
- 2 no M12 Washer
- 2 no 2 Part Green Cap



Statement of Compliance: AE Evans Ltd. manufacturers of children's playground equipment follow the codes and practices outlined in the British and European Standards. By doing this, all equipment for play areas manufactured by AE Evans meets the requirements of BSEN 1176 (general safety and test methods). Spares can be supplied via equipment distributor.

# A0021 - 1.2m Climbing Ramp - Installation

General Information - Page 1 of 1

Revision -  
Saved Date 16 November 2022 10:45:48

ITEM NO.	PART NUMBER	DESCRIPTION	QTY.
1	T7031	Plank 1060 x 195 x 45mm CNC'd	1
2	T7037	Timber 125mm dia, cut at 790mm DC	1
3	T7038	Timber 125mm dia HR cut at 585mm DC	1
4	T7040A	Plank 1206 x 195 x 45 Angle Cut	2
5	T7040B	Plank 1206 x 195 x 45mm Angle Cut	1
6	P0330A	Climbing Ramp Top Infill HDPE Part A	1
7	P0330B	Climbing Ramp Top Infill Part B	1
8	M1335	Panel Bracket	4
9	M1352	Universal Ground Anchor Modular Towers	1
10	M1353	Universal Ground Anchor attachment bar	1
11	Climb Grips	Fitted to Planks	8

## Ramp section should be pre-assembled

### Fix T7037 to Ramp Assembly

3 no M8 x 100mm CSH Bolt  
3 no M8 Nyloc  
3 no M8 Washer

### Fix M1353 to Timbers

3 no M8 x 65mm CSH Bolt  
3 no M8 Nyloc  
3 no M8 Washer  
3 no 2 Part Green Cap

### Fix M1353 to M1352

2 no M8 x 25mm Anti Tamper Bolt  
2 no M8 Nyloc  
4 no M8 Washer  
2 no M8 Nut Cap

### Ramp assembly to P0330A

2 no M8 x 120mm CSH Bolt  
2 no M8 Nyloc  
2 no M8 Washer  
2 no M8 Nut Cap  
4 no 70mm Screws

### P0330A to Main Unit Legs

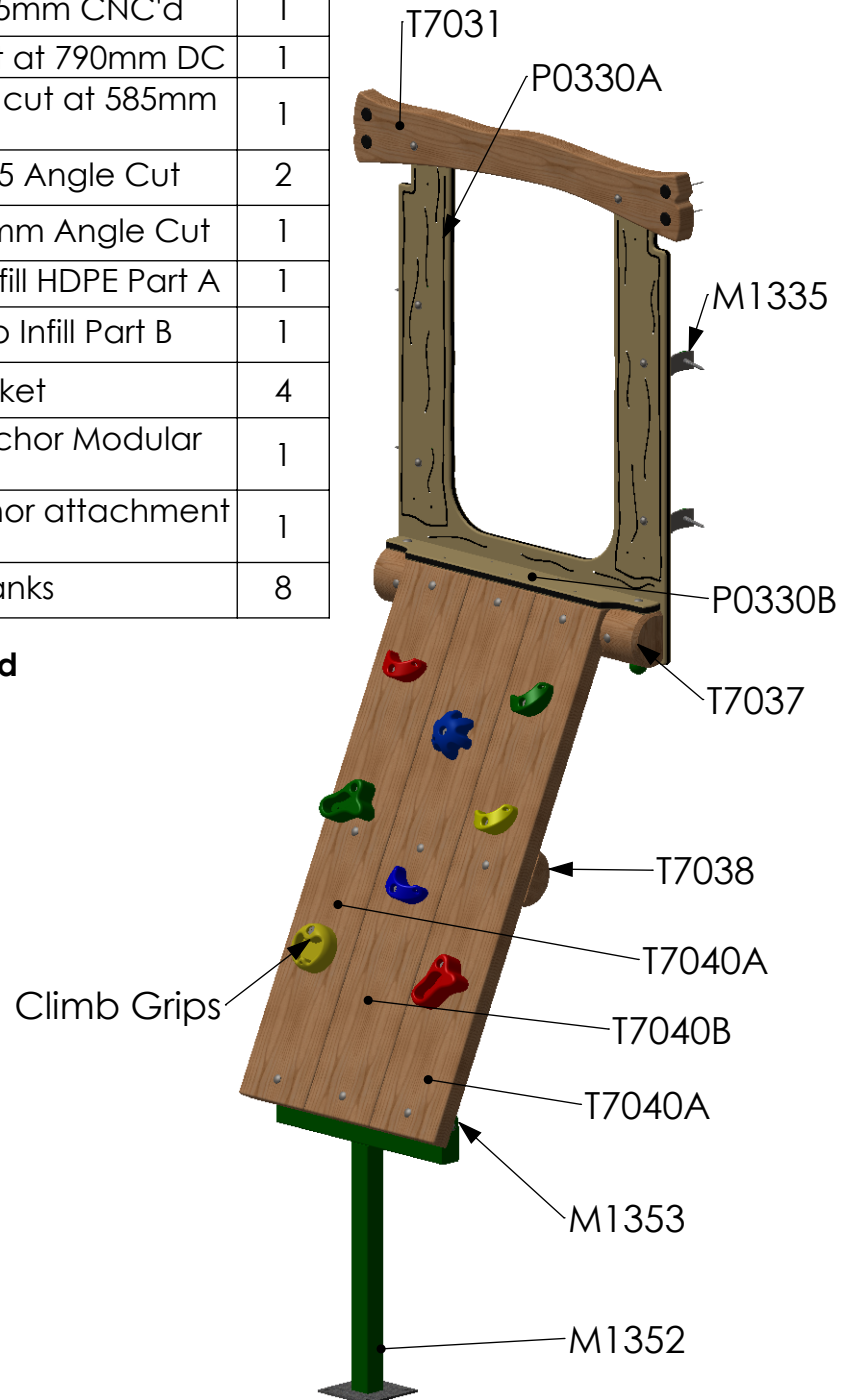
4 no Panel Brackets  
4 no M8 x 40mm Anti Tamper Bolt  
4 no 75mm Coach Screw  
4 no M8 Nyloc  
12 no M8 Washer  
8 no 2 Part Green Cap

### P0330A to T7031

2 no M8 x 80mm Anti Tamper Bolt  
2 no M8 Nyloc  
4 no M8 Washer  
2 no 2 Part Green Cap

### T7031 to Main Unit Legs

4 no 100mm Timberlock Screw  
4 no M8 Washer  
4 no 28mm Black Cap



# A0060 - 1.2m T-Rope Climber Installation Instructions

General Information - Page 1 of 1

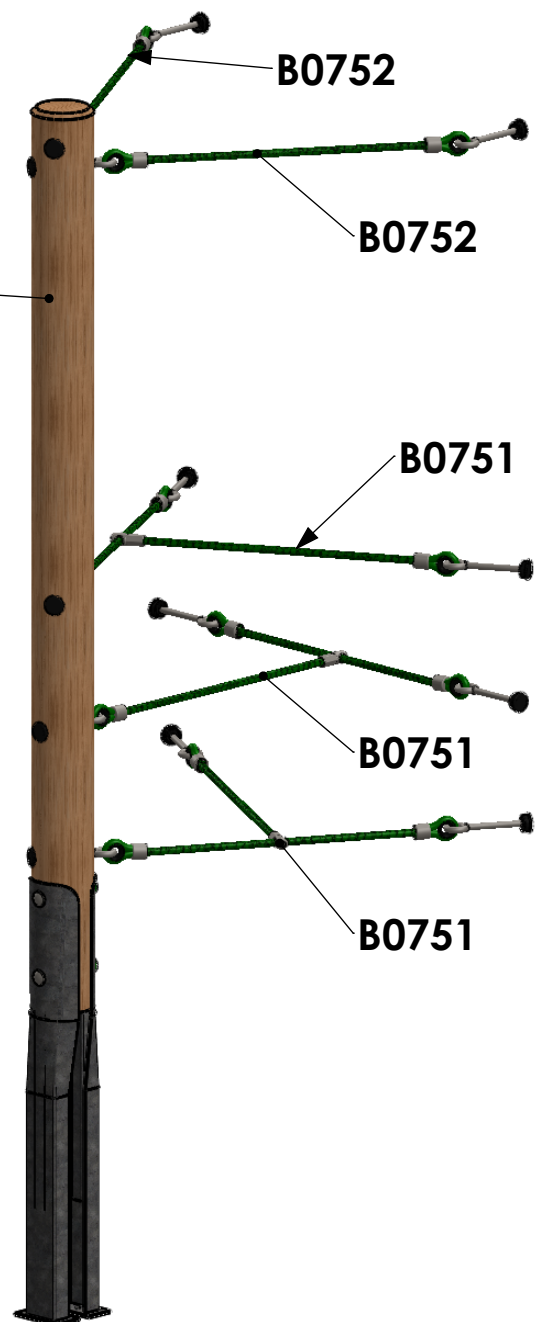
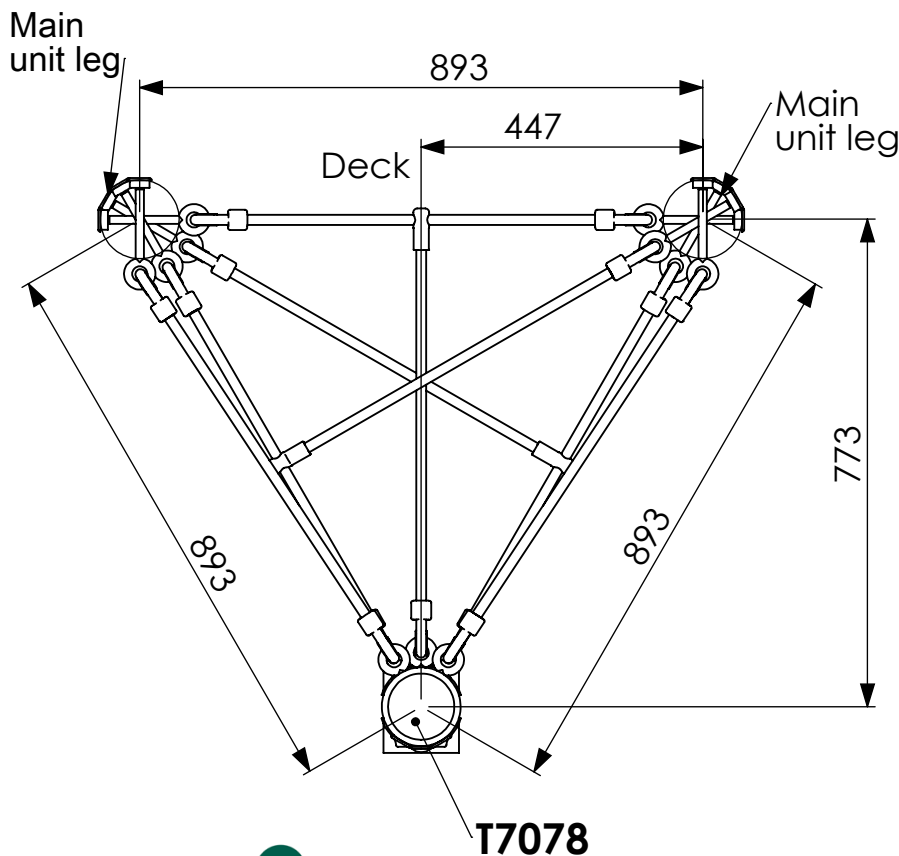
Revision -  
Saved Date 17 November 2022 10:50:43

ITEM NO.	PART NUMBER	DESCRIPTION	QTY.
1	T7078	Timber 125mm dia, cut at 1850mm SC	1
2	B0751	T-rope Climber	3
3	B0752	782mm Rope	2

Concrete T7078 in place following ground plan on main unit instructions. Once fully gone off install Ropes between T7078 and main unit legs. A0060 should be fitted with an appropriate top infill panel to reduce the gap at the point of access to the deck.

### Bolt List

- 13 no M12 Nyloc
- 13 no M12 Washer
- 13 no 33mm Black Cap



Statement of Compliance: AE Evans Ltd. manufacturers of children's playground equipment follow the codes and practices outlined in the British and European Standards. By doing this, all equipment for play areas manufactured by AE Evans meets the requirements of BSEN 1176 (general safety and test methods). Spares can be supplied via equipment distributor.

# A0067 - Standard Access Infill - Installation

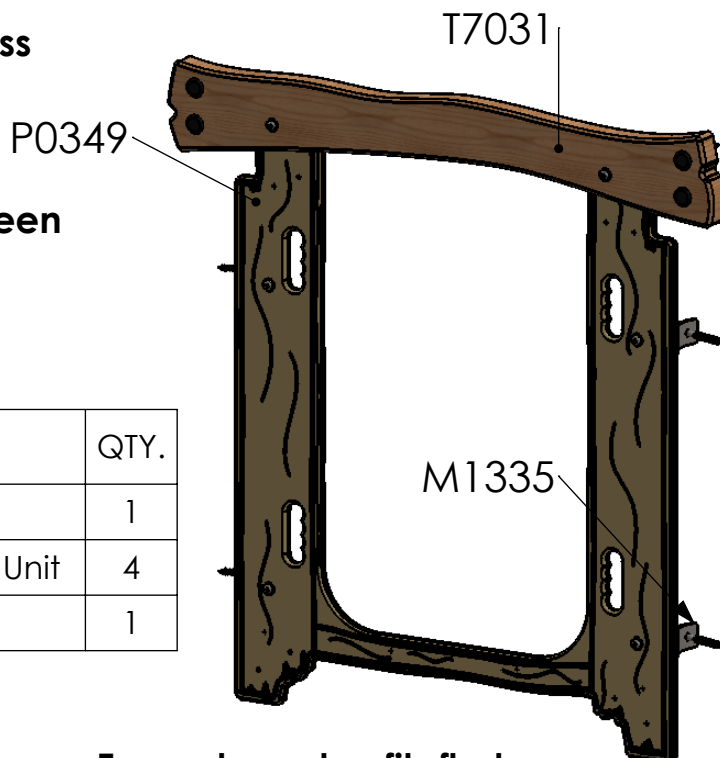
General Information - Page 1 of 1

Revision -  
Saved Date 04 November 2020 12:34:07

Standard Access Infill for use with Access Nets and other deck access features.

Ensure an even gap on each side between the panel and main unit legs

ITEM NO.	PART NUMBER	DESCRIPTION	QTY.
1	T7031	Plank 998 x 195 x 45mm	1
2	M1335	HDPE Bracket Modular Tower Unit	4
3	P0349	Standard Access Infill	1



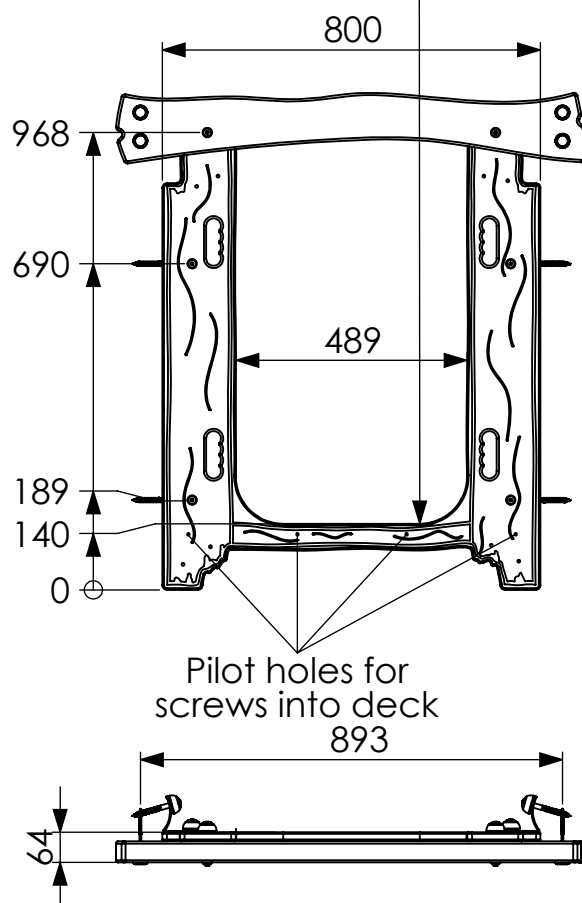
P0349 to T7031  
2 no M8 x 80mm Anti Tamper Bolt  
2 no M8 Nyloc  
4 no M8 Washer  
2 no 2 Part Green Cap

T7031 to Main Unit Legs  
4 no 100mm Timberlock Screws  
4 no M8 Washers  
4 no 28mm Black Caps

P0349 to Main Unit Legs  
4 no M1335 Panel Brackets  
4 no M8 x 40mm Anti Tamper Bolt  
4 no M8 x 75mm Coach Screws  
4 no M8 Nyloc  
12 no M8 Washers  
8 no 2 Part Green Caps

P0349 to Deck  
4 no 5 x 75mm Woodscrews

Ensure top edge fits flush to the deck level



Statement of Compliance: AE Evans Ltd. manufacturers of children's playground equipment follow the codes and practices outlined in the British and European Standards. By doing this, all equipment for play areas manufactured by AE Evans meets the requirements of BSEN 1176 (general safety and test methods). Spares can be supplied via equipment distributor.

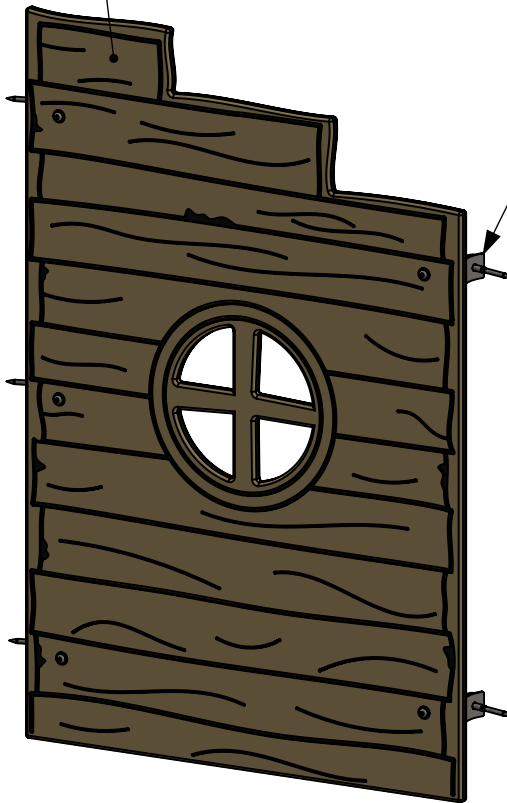
# A0143B LHS - Installation Instructions

General Information - Page 1 of 1

Revision -  
Saved Date 24 September 2021 12:42:36

P0415B LHS

ITEM NO.	PART NUMBER	DESCRIPTION	QTY.
1	P0415B LHS	Wooden Bow Infill Panel	1
2	M1335		5



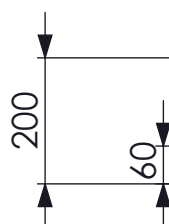
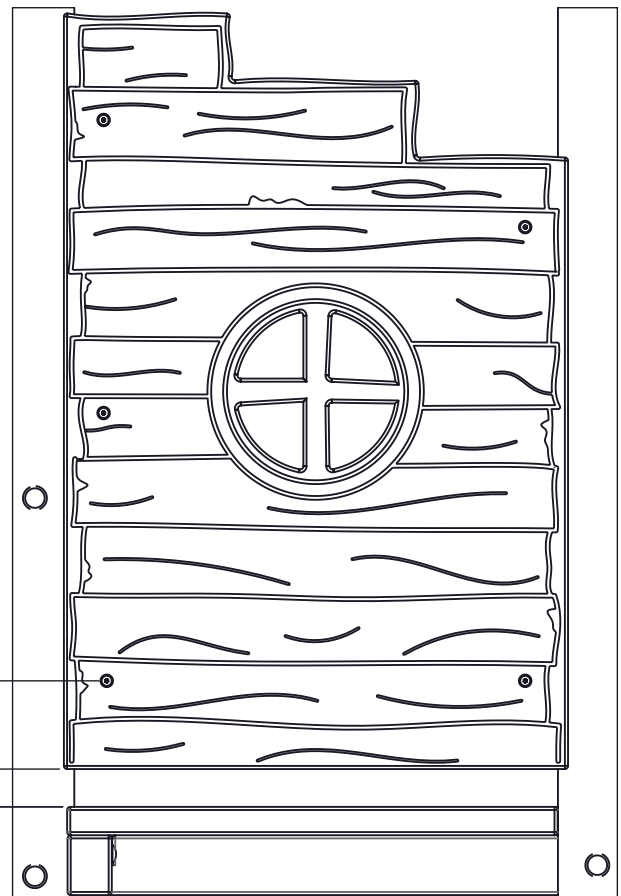
M1335

### P0415B LHS to Main Unit Legs

- 4 no M1335 Panel Brackets
- 4 no M8 x 40mm Anti Tamper Bolt
- 4 no M8 x 75mm Coach Screw
- 4 no M8 Nyloc
- 12 no M8 Washer
- 8 no 2 Part Green Cap

Ensure and even gap on both sides

Ensure gap between bottom edge of infill panel and deck line is within entrapment guidelines 25>89mm  
This needs the first fixing screw to be around 200mm up from Deck height



**a e evans**

Statement of Compliance: AE Evans Ltd. manufacturers of children's playground equipment follow the codes and practices outlined in the British and European Standards. By doing this, all equipment for play areas manufactured by AE Evans meets the requirements of BSEN 1176 (general safety and test methods). Spares can be supplied via equipment distributor.

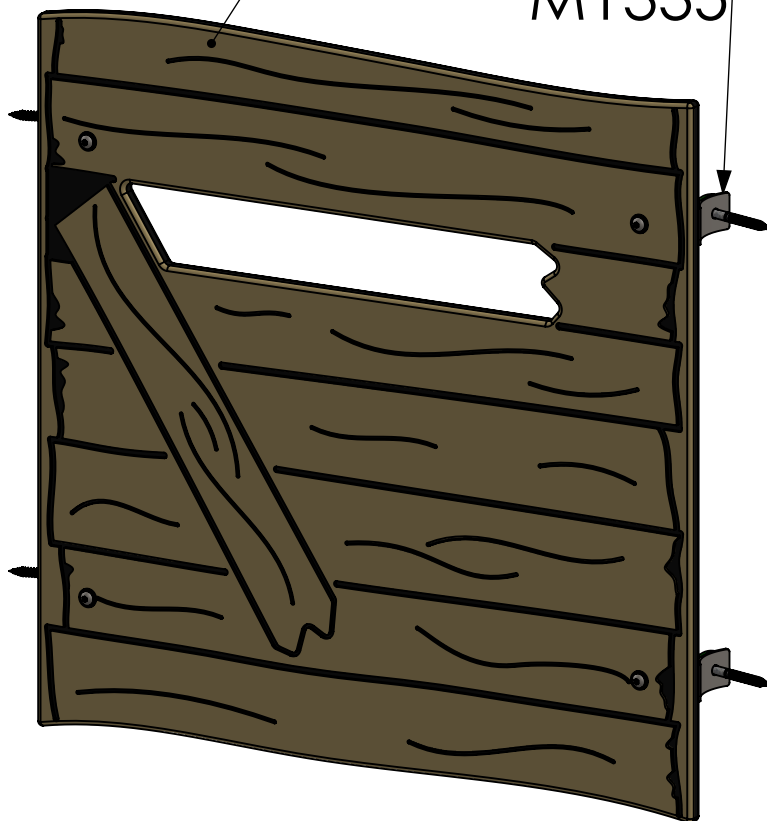
# A0107 - Broken Slat Infill - Installation

General Information - Page 1 of 1

Revision -  
Saved Date 03 November 2020 08:43:56

P0378

M1335

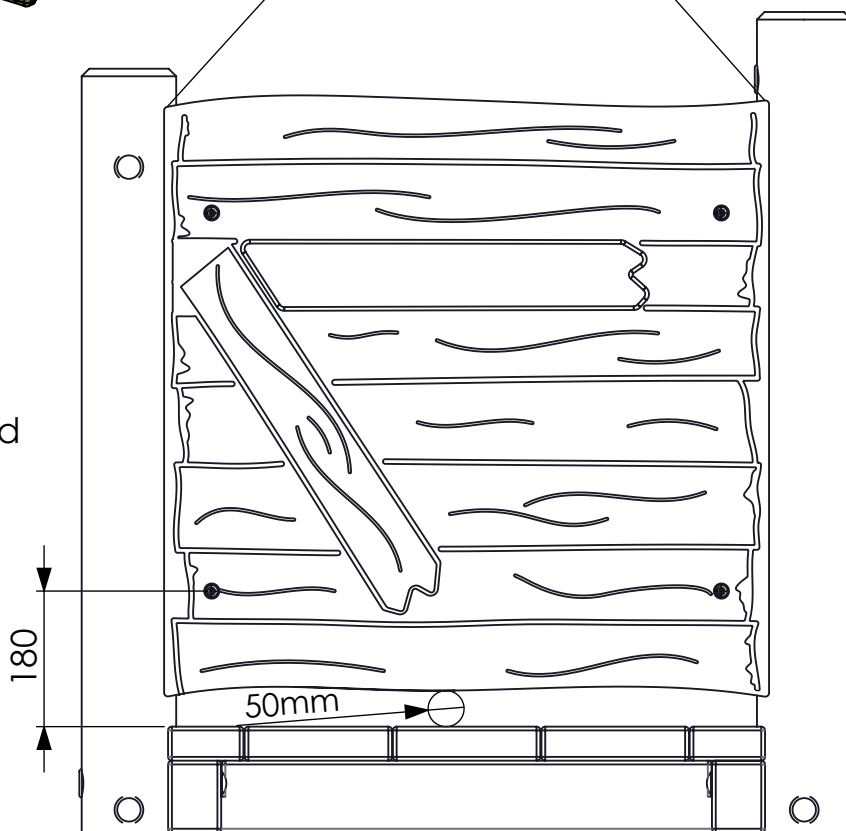


ITEM NO.	PART NUMBER	DESCRIPTION	QTY.
1	M1335	HDPE Bracket Modular Tower Unit	4
2	P0378	Rickety Broken Timber Effect Infill Panel 02	1

P0378 to Main Unit Legs  
 4 no M1335 Panel Brackets  
 4 no M8 x 40mm Anti Tamper Bolts  
 4 no M8 x 75mm Coach Screw  
 4 no M8 Nyloc  
 12 no M8 Washers  
 8 no 2 Part Green Cap

**Ensure an even gap between HDPE Panel and timber legs on both sides**

Ensure gap between bottom edge of infill panel and deck line is within entrapment guidelines 25>89mm  
 This needs the first fixing screw around 180mm up from Deck height



Statement of Compliance: AE Evans Ltd. manufacturers of children's playground equipment follow the codes and practices outlined in the British and European Standards. By doing this, all equipment for play areas manufactured by AE Evans meets the requirements of BSEN 1176 (general safety and test methods). Spares can be supplied via equipment distributor.

# A0108 - Round Window Infill - Installation

General Information - Page 1 of 1

Revision -  
Saved Date 03 November 2020 08:43:57

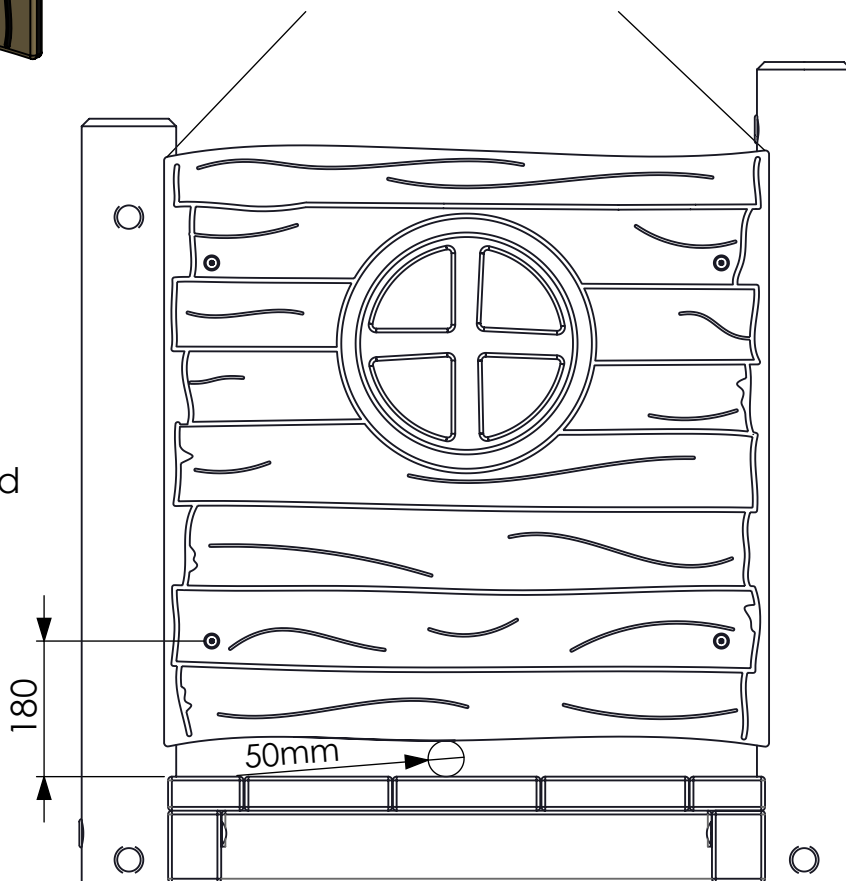


ITEM NO.	PART NUMBER	DESCRIPTION	QTY.
1	M1335	HDPE Bracket Modular Tower Unit	4
2	P0379	Rickety Window Infill Panel	1

P0379 to Main Unit Legs  
 4 no M1335 Panel Brackets  
 4 no M8 x 40mm Anti Tamper Bolts  
 4 no M8 x 75mm Coach Screw  
 4 no M8 Nyloc  
 12 no M8 Washers  
 8 no 2 Part Green Cap

Ensure an even gap between HDPE Panel and timber legs on both sides

Ensure gap between bottom edge of infill panel and deck line is within entrapment guidelines 25>89mm  
 This needs the first fixing screw around 180mm up from Deck height



Statement of Compliance: AE Evans Ltd. manufacturers of children's playground equipment follow the codes and practices outlined in the British and European Standards. By doing this, all equipment for play areas manufactured by AE Evans meets the requirements of BSEN 1176 (general safety and test methods). Spares can be supplied via equipment distributor.

# A0056 - Rickety Timber Infill - Installation

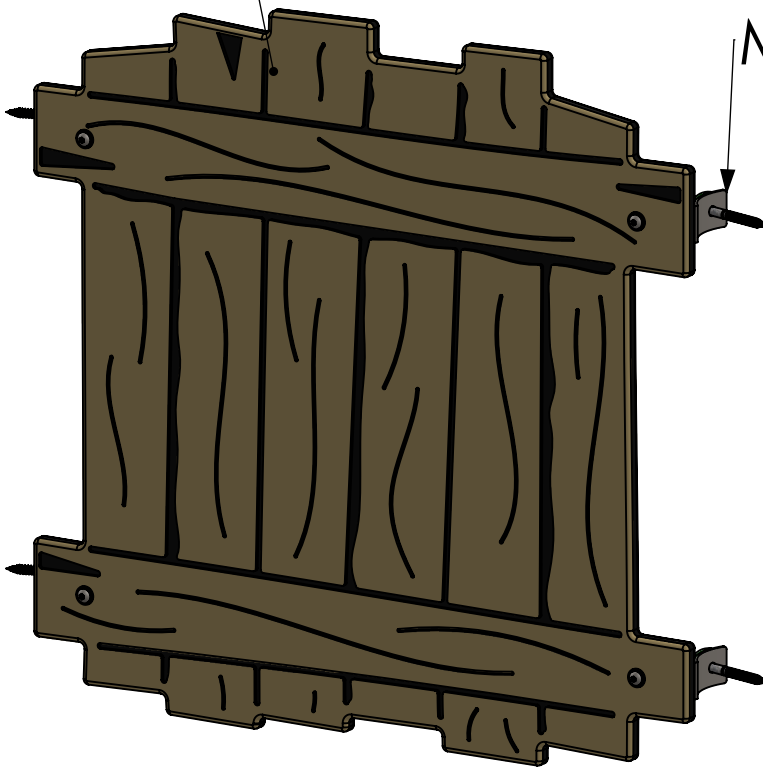
General Information - Page 1 of 1

Revision -  
Saved Date 23 October 2020 10:03:03

ITEM NO.	PART NUMBER	DESCRIPTION	QTY.
1	P0345	Rickety Timber Effect Infill Panel	1
2	M1335	HDPE Bracket Modular Tower Unit	4

P0345

M1335

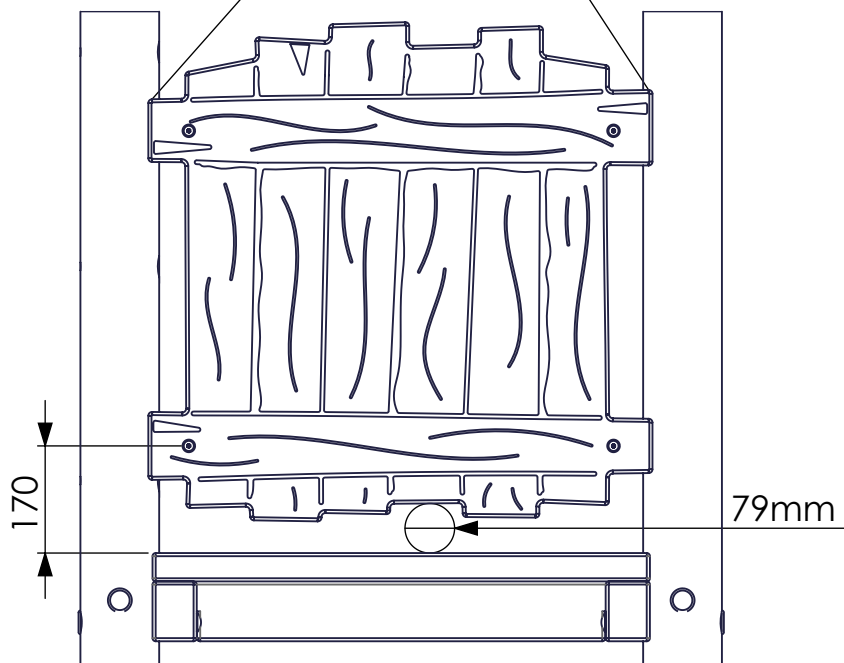


### P0345 to Main Unit Legs

- 4 no M1335 Panel Brackets
- 4 no M8 x 40mm Anti Tamper Bolt
- 4 no M8 x 75mm Coach Screw
- 4 no M8 Nyloc
- 12 no M8 Washer
- 8 no 2 Part Green Cap

Ensure even gap  
both sides

Ensure gap between bottom edge  
of infill panel and deck line is within  
entrapment guidelines 25>89mm  
This needs the first fixing screw no  
higher than 170mm up from Deck height



Statement of Compliance: AE Evans Ltd. manufacturers of children's playground equipment follow the codes and practices outlined in the British and European Standards. By doing this, all equipment for play areas manufactured by AE Evans meets the requirements of BSEN 1176 (general safety and test methods). Spares can be supplied via equipment distributor.