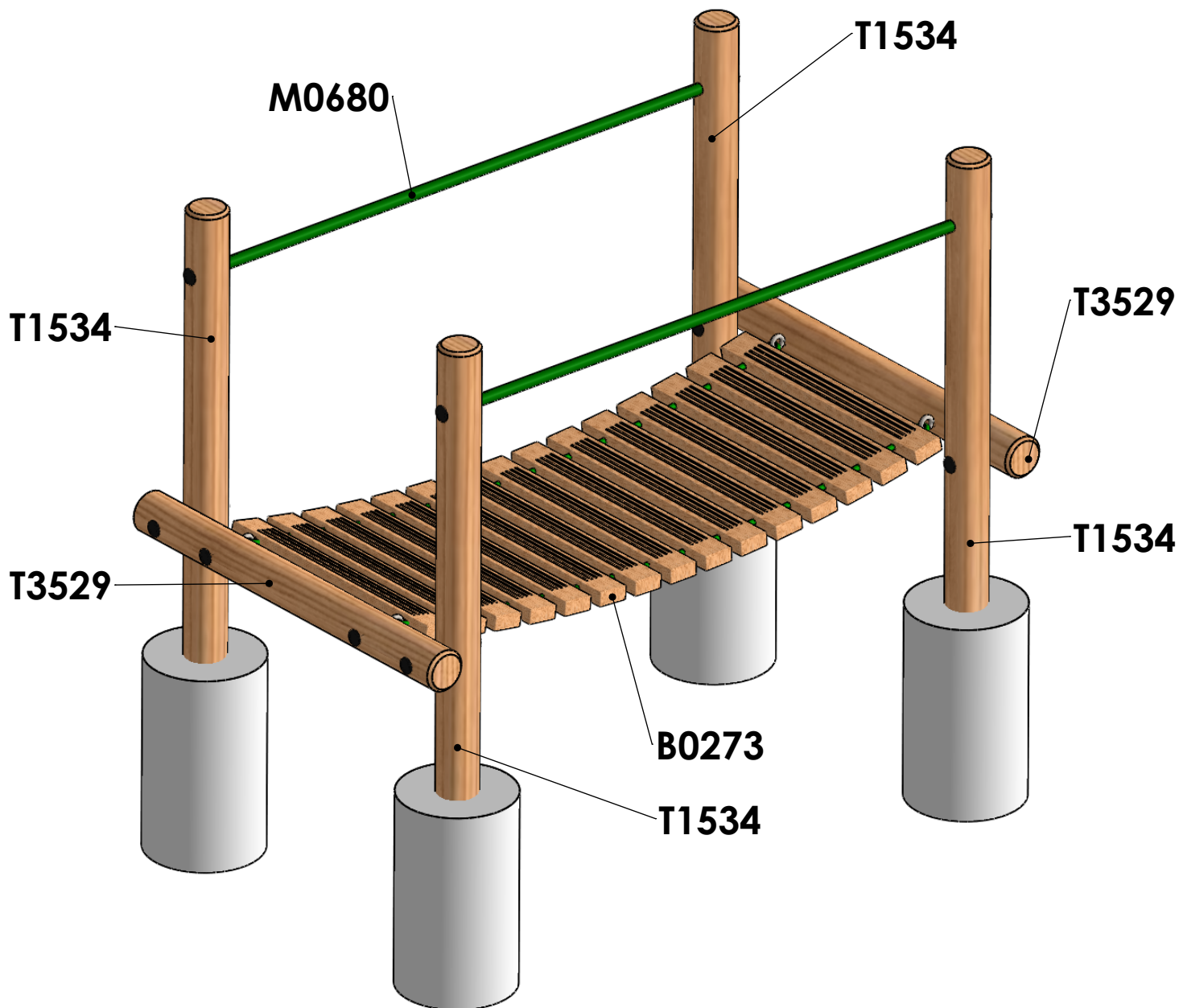


Suspension Bridge

General Information - Page 1 of 3

Revision -
Saved Date 20 July 2017 12:30:59



| ITEM NO. | PART NUMBER | DESCRIPTION | QTY. |
|----------|-------------|------------------------------------|------|
| 1 | T1534 | Timber 125mm dia. cut at 2000mm SC | 4 |
| 2 | T3529 | Timber 125mm dia. cut at 1300mm DC | 2 |
| 3 | B0273. | Suspension Bridge | 1 |
| 4 | M0680 | 1725mm Handgrip bar | 2 |

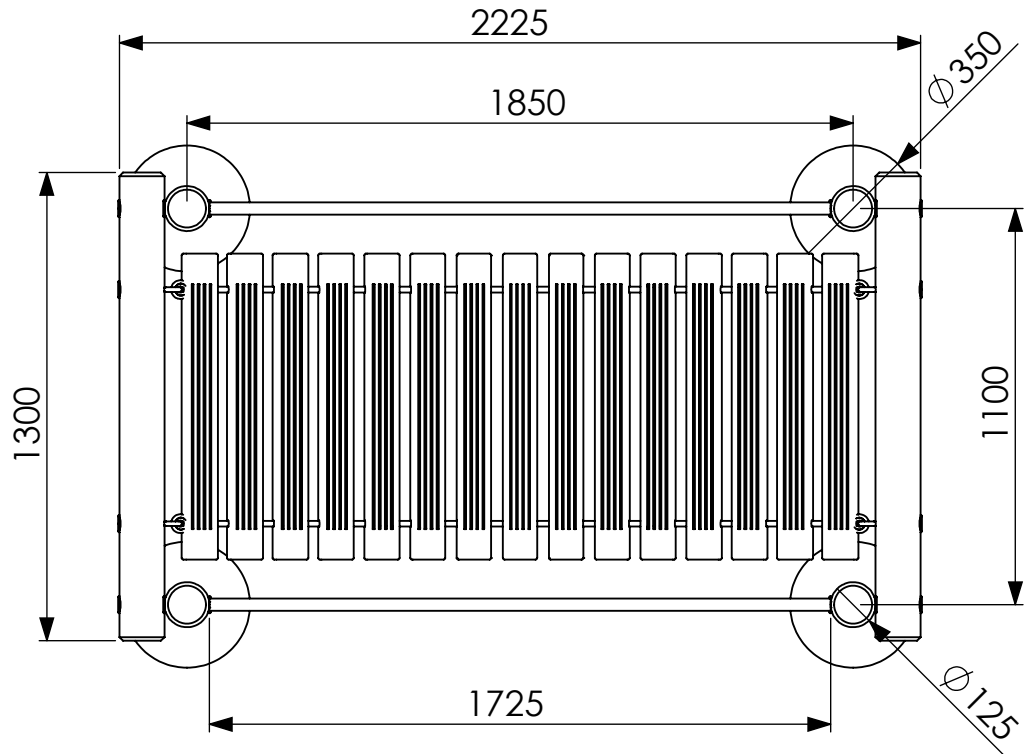


Statement of Compliance: AE Evans Ltd. manufacturers of children's playground equipment follow the codes and practices outlined in the British and European Standards. By doing this, all equipment for play areas manufactured by AE Evans meets the requirements of BSEN 1176 (general safety and test methods). Spares can be supplied via equipment distributor.

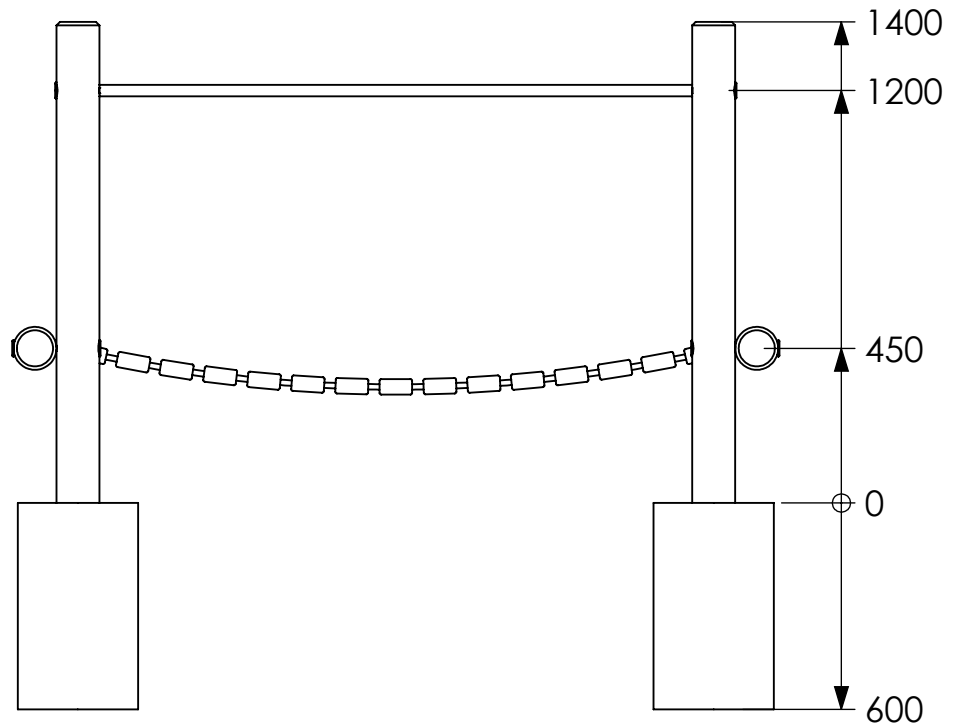
Suspension Bridge

FFH: 513mm

No safety surface required as critical fall height is less than 600mm. However we suggest allowing an appropriate free space around the item in compliance with BS EN1176.



Dig all groundworks 600mm deep.

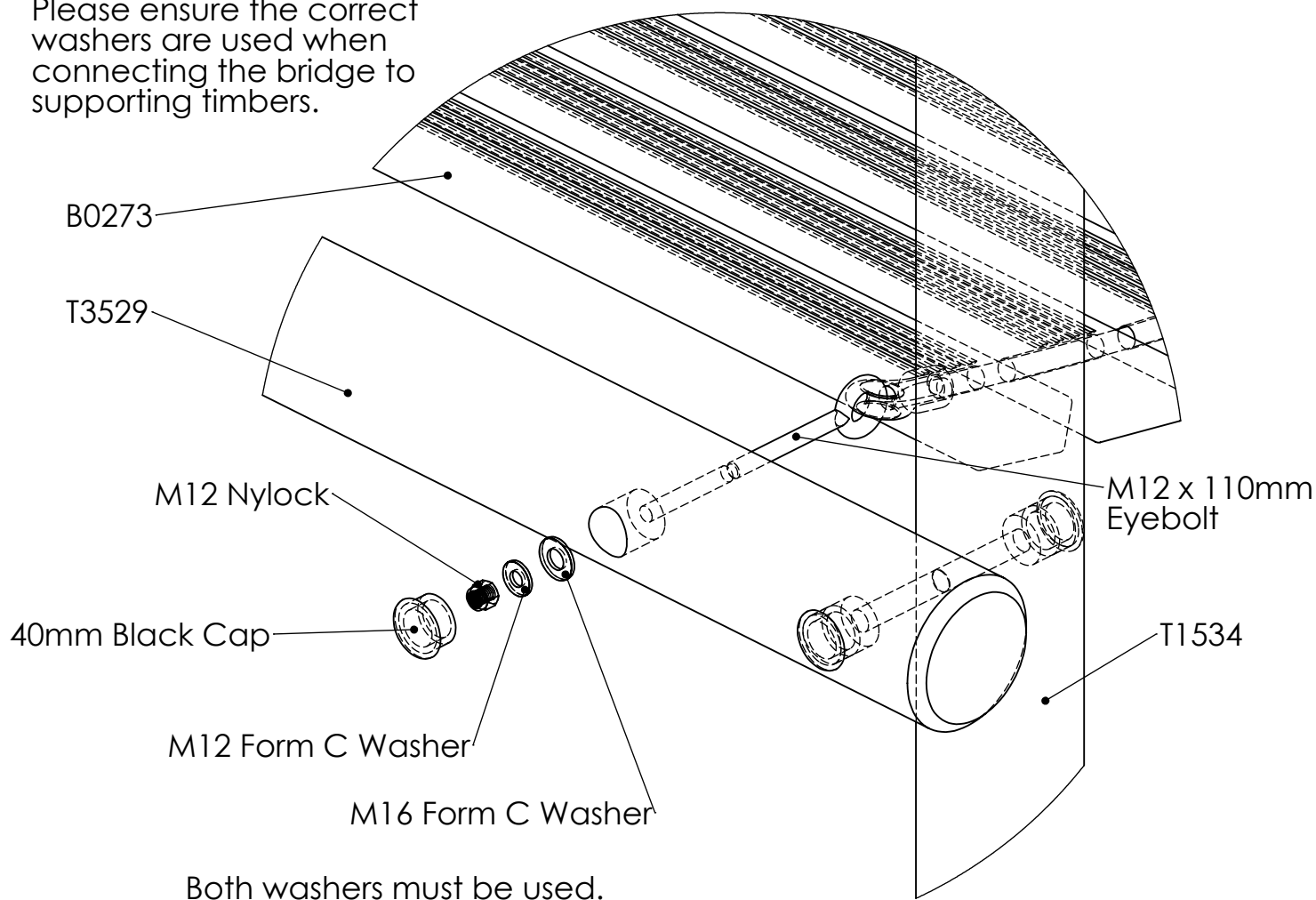


Suspension Bridge

Construction Detail - Page 3 of 3

Revision -
Saved Date 20 July 2017 12:31:00

Please ensure the correct washers are used when connecting the bridge to supporting timbers.



Both washers must be used.

Bolt List

T3529 to T1534

04 No M16 x 190 Hex Bolts
08 No M16 Form C Washers
04 No M16 Nylock Nuts
08 No 40mm Black Inserts

M0680 to T1534

04 No M16 x 110 Hex Bolts
04 No M16 Form C Washers
04 No 40mm Black Inserts

B0273 to T3529

04 No M16 Form C Washers
04 No M12 Form C Washers
04 No M12 Nylock Nuts
04 No 40mm Black Inserts

**Please note additional fittings
have been included therefore
you may have left overs**



ae evans

Statement of Compliance: AE Evans Ltd. manufacturers of children's playground equipment follow the codes and practices outlined in the British and European Standards. By doing this, all equipment for play areas manufactured by AE Evans meets the requirements of BSEN 1176 (general safety and test methods). Spares can be supplied via equipment distributor.