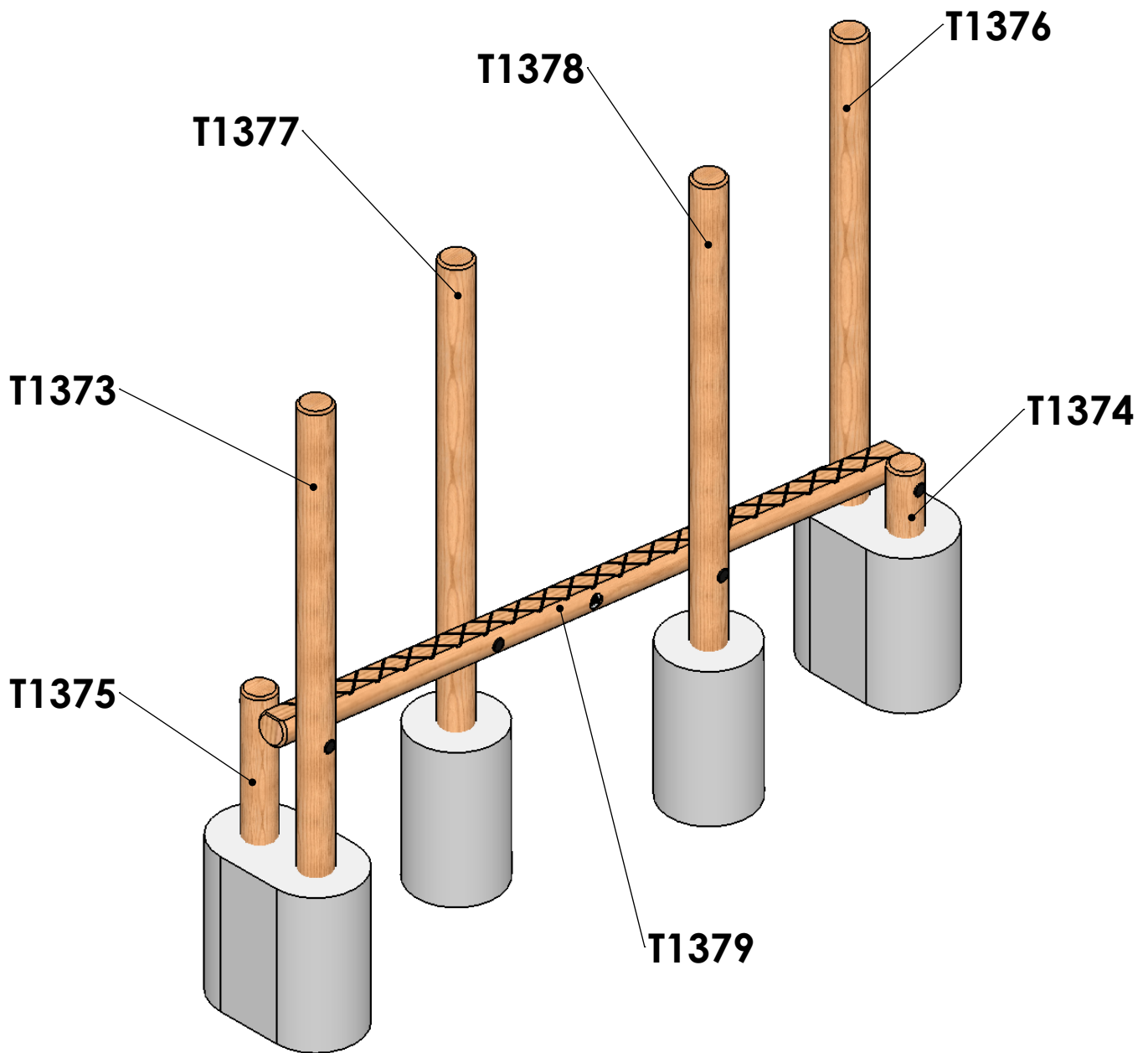


# Sloping Balance Weave

General Information - Page 1 of 2

Revision - 0  
Saved Date 13 May 2020 11:47:14

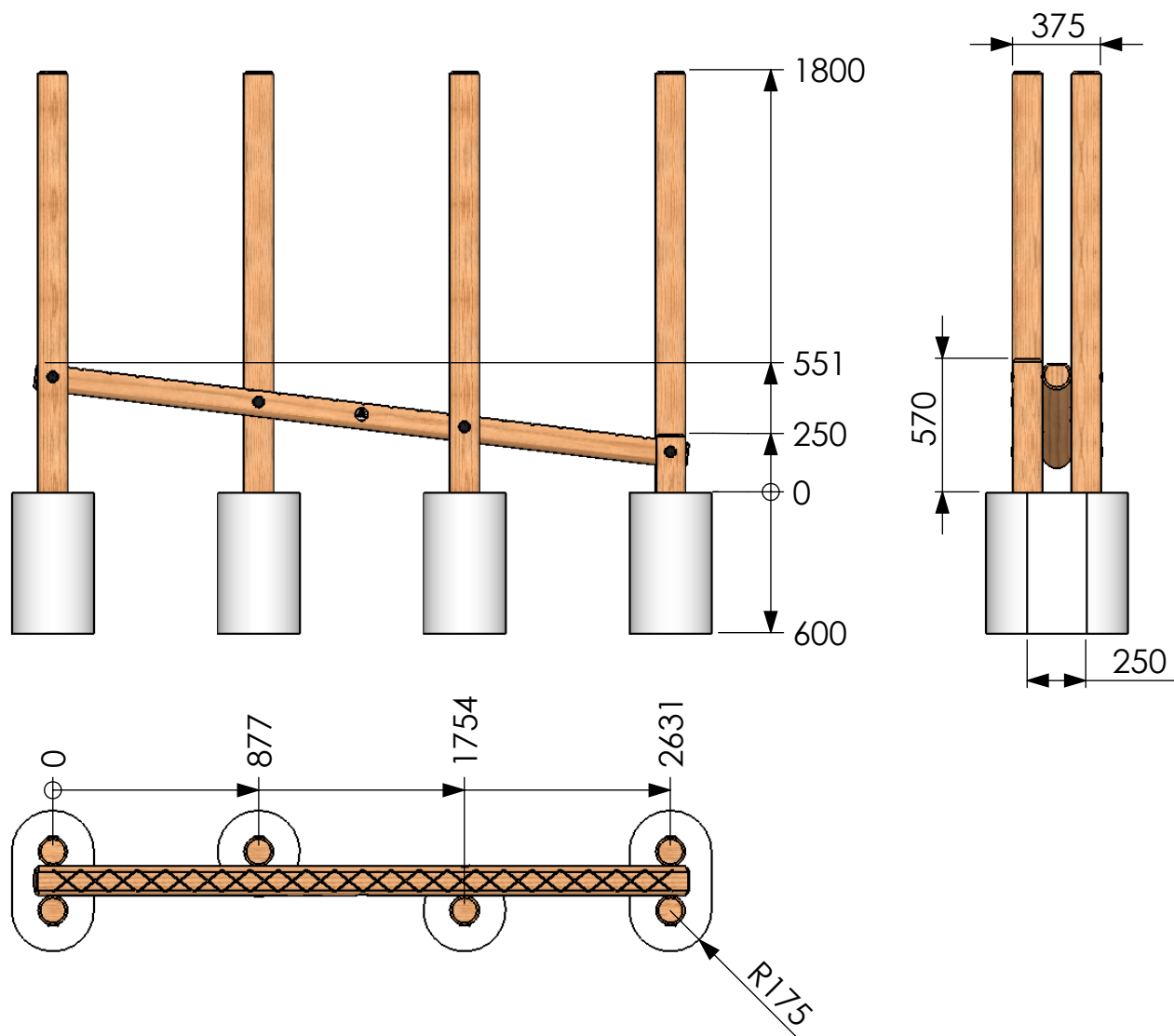


ITEM NO.	PART NUMBER	DESCRIPTION	QTY
1	T1373	Timber 125mm dia. cut at 2400mm SC	1
2	T1374	Timber 125mm dia. cut at 850mm SC	1
3	T1375	Timber 125mm dia. cut at 1170mm SC	1
4	T1376	Timber 125mm dia. cut at 2400mm SC	1
5	T1377	Timber 125mm dia. cut at 2400mm SC	1
6	T1378	Timber 125mm dia. cut at 2400mm SC	1
7	T1379	Timber 125mm dia. cut at 2800mm DC	1

# Sloping Balance Weave

Excavation Detail - Page 2 of 2

Revision - 0  
Saved Date 13 May 2020 11:47:14



## Bolt List

- 02 No M16 x 320mm Threaded Bar
- 02 No M16 x 190mm Hex Bolts
- 08 No M16 Washers
- 04 No M16 Nylock Nuts
- 08 No 40mm Black Inserts

**Dig groundworks 600mm deep**

**FFH: 570mm**

No safety surface required as critical fall height is less than 600mm. However we suggest allowing an appropriate free space around the item in compliance with BS EN1176.

Please note additional fixings have been included therefore you may have left overs