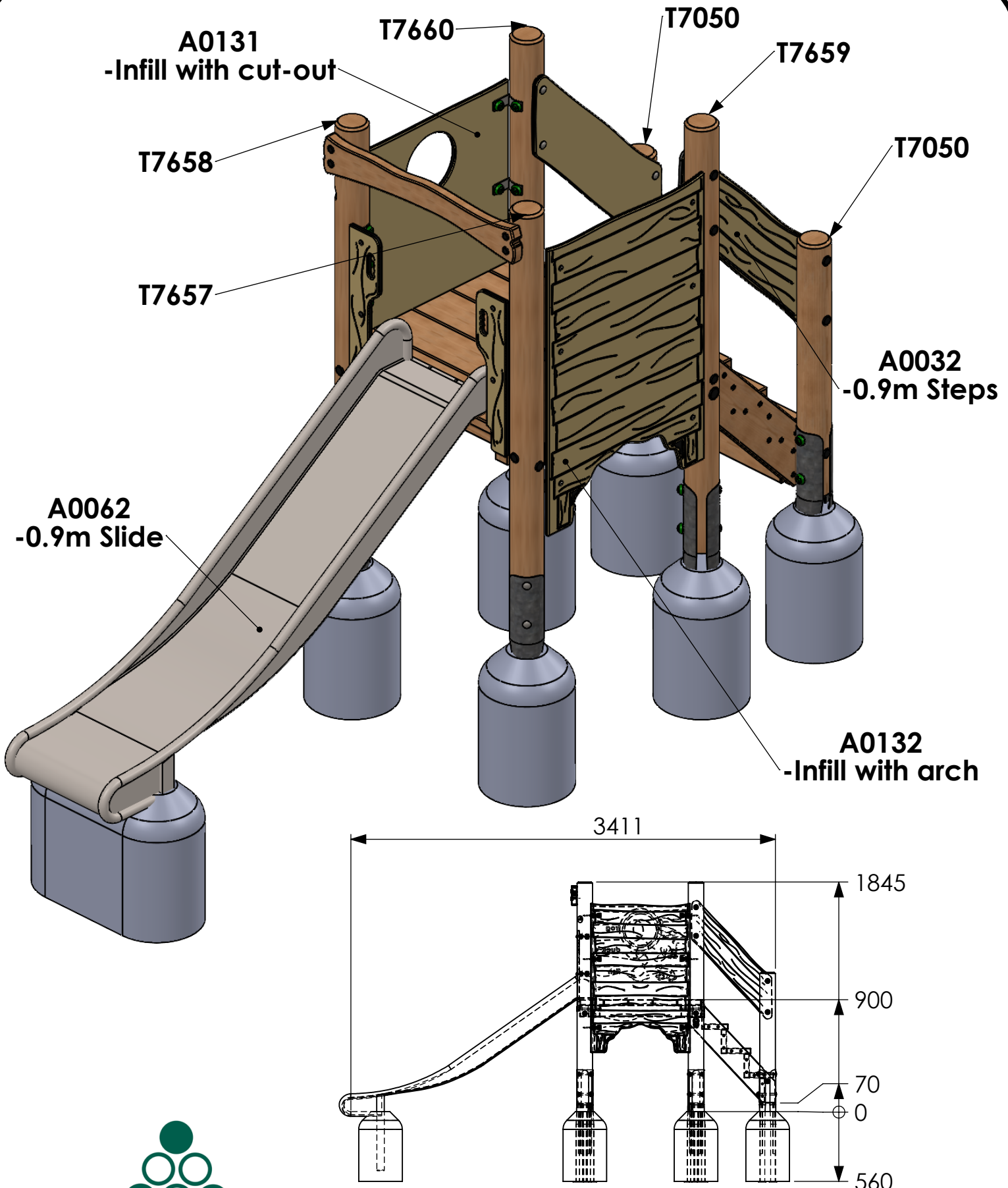


Single Deck Unit 01

General Information - Page 1 of 4

Revision -
Saved Date 20 October 2025 14:44:52



a e evans

Statement of Compliance: AE Evans Ltd. manufacturers of children's playground equipment follow the codes and practices outlined in the British and European Standards. By doing this, all equipment for play areas manufactured by AE Evans meets the requirements of BSEN 1176 (general safety and test methods). Spares can be supplied via equipment distributor.

Single Deck Unit 01

Bill of Materials - Page 2 of 4

**Revision -
Saved Date**

Part Name	Description	Qty	Material	Assembly
T7657	Timber 125mm dia, cut at 1775mm SC	1	Timber	-
T7658	Timber 125mm dia, cut at 1775mm SC	1	Timber	-
T7659	Timber 125mm dia, cut at 1775mm SC	1	Timber	-
T7660	Timber 125mm dia, cut at 1775mm SC	1	Timber	-
T7050	Timber 125mm dia, cut at 1050mm SC	1	Timber	A0032
T7031B	1060 x 195 x 45mm CNC'd	1	Timber	A0062
D0001-000S	Deck Assembly	1	Timber	-
Steps	Steps Assembly	1	Timber	A0032
P0322A	Steps Handrail	1	HDPE	A0032
P0322B	Steps Handrail	1	HDPE	A0032
P0333	Top Step Infill	1	HDPE	A0032
P0348A	Slide Handle	1	HDPE	A0062
P0348B	Slide Handle	1	HDPE	A0062
P0409	Infill with Window and Arch	1	HDPE	A0131
P0410	Infill with Arch and Engraving	1	HDPE	A0132
B0722	0.9m Stainless Steel Slide	1	Steel	A0062

Bolt List

D0001-000S to T7657, T7658, T7659 & T7660

8 no M12 x 180mm CSH Bolt

8 no M12 Nyloc

8 no M12 Washer

8 no 33mm Black Cap

A0032 to T7050 (2), T7659, T7660 & Deck

2 no M12 x 150mm CSH Bolt

8 no M12 x 130mm CSH Bolt

10 no M12 Nyloc

10 no M12 Washer

10 no 33mm Black Cap

2 no M16 x 150mm CSH Bolt

2 no M16 Nyloc

2 no M16 Washer

2 no 40mm Black Cap

8 no 70mm Screw

A0062 to T7657 & T7658

4 no 100mm Timberlock Screws

4 no 28mm Black Cap

4 no M1335 Panel Bracket

4 no M8 x 40mm Anti Tamper Bolt

4 no 75mm Coach Screw

16 no M8 Washer

4 no M8 Nyloc

8 no 2 Part Green Cap

2 no M12 x 130mm CSH Bolt

2 no M12 Nyloc

2 no M12 Washer

2 no 33mm Black Cap

5 no 70mm CSK Screws

A0132 & A0131 to Legs

12 no M1335 Panel Bracket

12 no M8 x 40mm Anti Tamper Bolt

12 no 75mm Coach Screw

36 no M8 Washer

12 no M8 Nyloc

24 no 2 Part Green Cap

1 no Anti Tamper Key

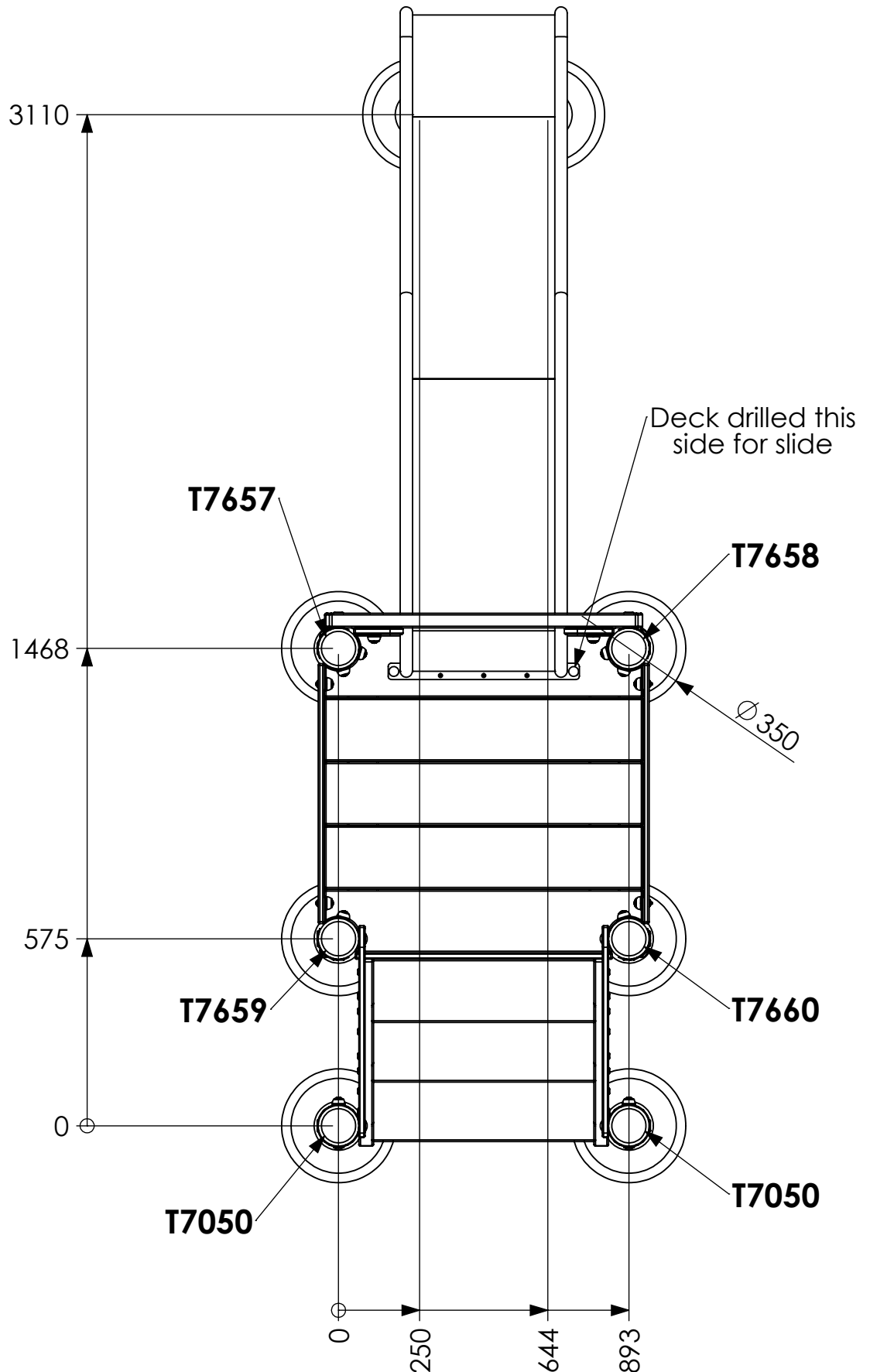


a e evans

Statement of Compliance: AE Evans Ltd. manufacturers of children's playground equipment follow the codes and practices outlined in the British and European Standards. By doing this, all equipment for play areas manufactured by AE Evans meets the requirements of BSEN 1176 (general safety and test methods). Spares can be supplied via equipment distributor.

Single Deck Unit 01

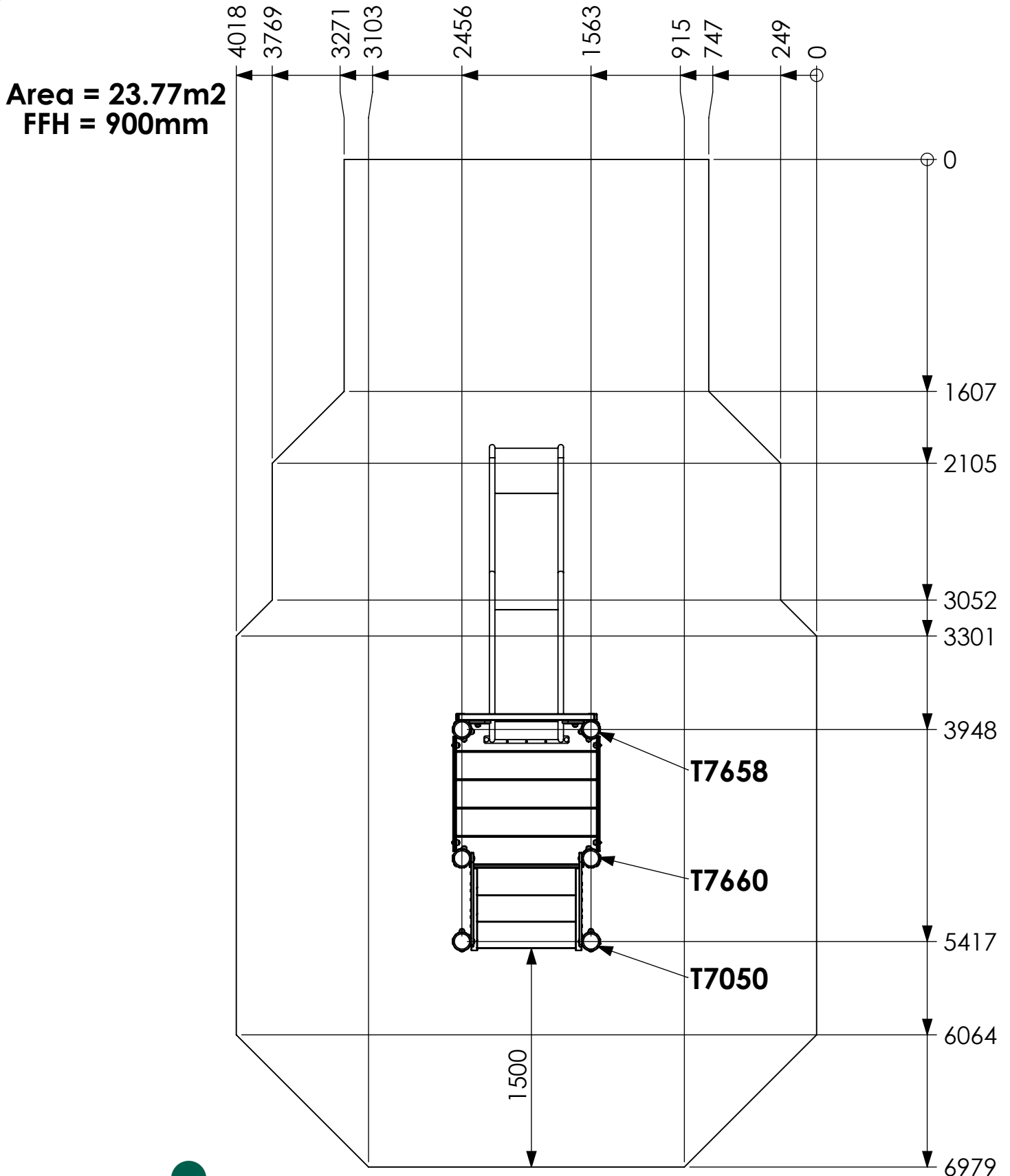
Dig groundworks
560mm deep
Except Slide foot
at 475mm



Single Deck Unit 01

Surfacing Detail - Page 4 of 4

Revision -
Saved Date 20 October 2025 14:44:52



a e evans

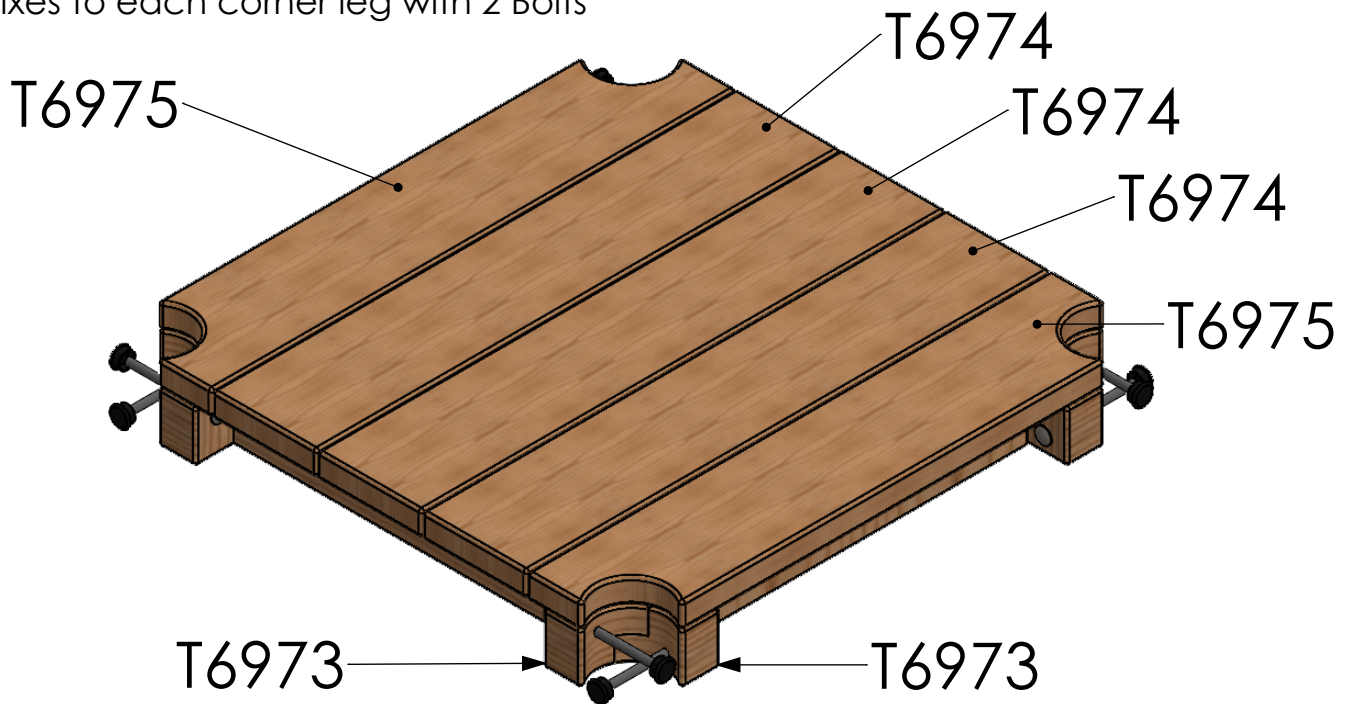
Statement of Compliance: AE Evans Ltd. manufacturers of children's playground equipment follow the codes and practices outlined in the British and European Standards. By doing this, all equipment for play areas manufactured by AE Evans meets the requirements of BSEN 1176 (general safety and test methods). Spares can be supplied via equipment distributor.

D0001 - Deck - Installation

General Information - Page 1 of 1

Revision -
Saved Date 26 August 2025 10:16:47

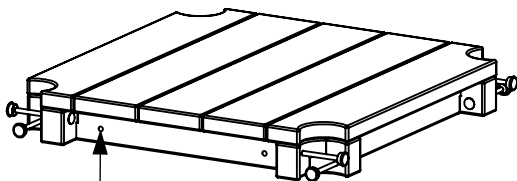
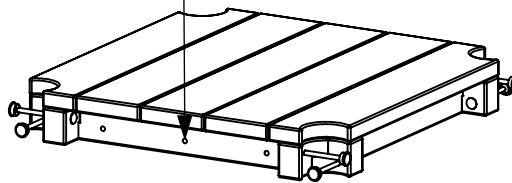
Deck fixes to each corner leg with 2 Bolts



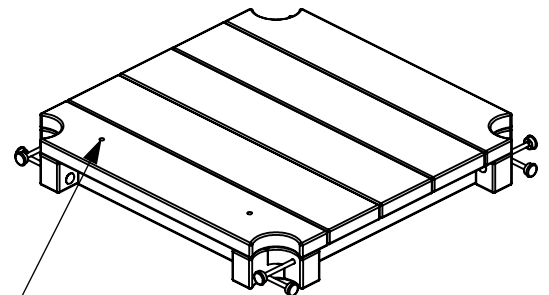
ITEM NO.	PART NUMBER	DESCRIPTION	QTY.
1	T6973	Tower Post 980 x 95 x 95mm	4
2	T6974	Plank 980 x 195 x 45mm	3
3	T6975	Plank 980 x 195 x 45mm	2

Fix deck to Main Unit Legs
 8 no M12 x 180mm CSH Bolts
 8 no M12 Washers
 8 no M12 Nyloc
 8 no 33mm Black Caps

Drilled with 3 holes for nets



Drilled with 2 holes for nets



Drilled with vertical holes for slide

If deck is drilled for Nets, Slide or any other feature refer to unit instructions for positioning instructions.



Statement of Compliance: AE Evans Ltd. manufacturers of children's playground equipment follow the codes and practices outlined in the British and European Standards. By doing this, all equipment for play areas manufactured by AE Evans meets the requirements of BSEN 1176 (general safety and test methods). Spares can be supplied via equipment distributor.

A0062. - 0.9m Slide - Instructions

General Information - Page 1 of 2

*Revision -
Saved Date 03 July 2025 14:15:15*

ITEM NO.	PART NUMBER	DESCRIPTION	QTY.
1	T7031B	978 x 195 x 45mm CNC'd	1
2	B0722	0.9m Bolt Down Steel Slide	1
3	P0348A	Slide Infill Panel A	1
4	P0348B	Slide Infill Panel B	1
5	M1335	Modular Towers Panel Bracket	4

B0722 to Deck

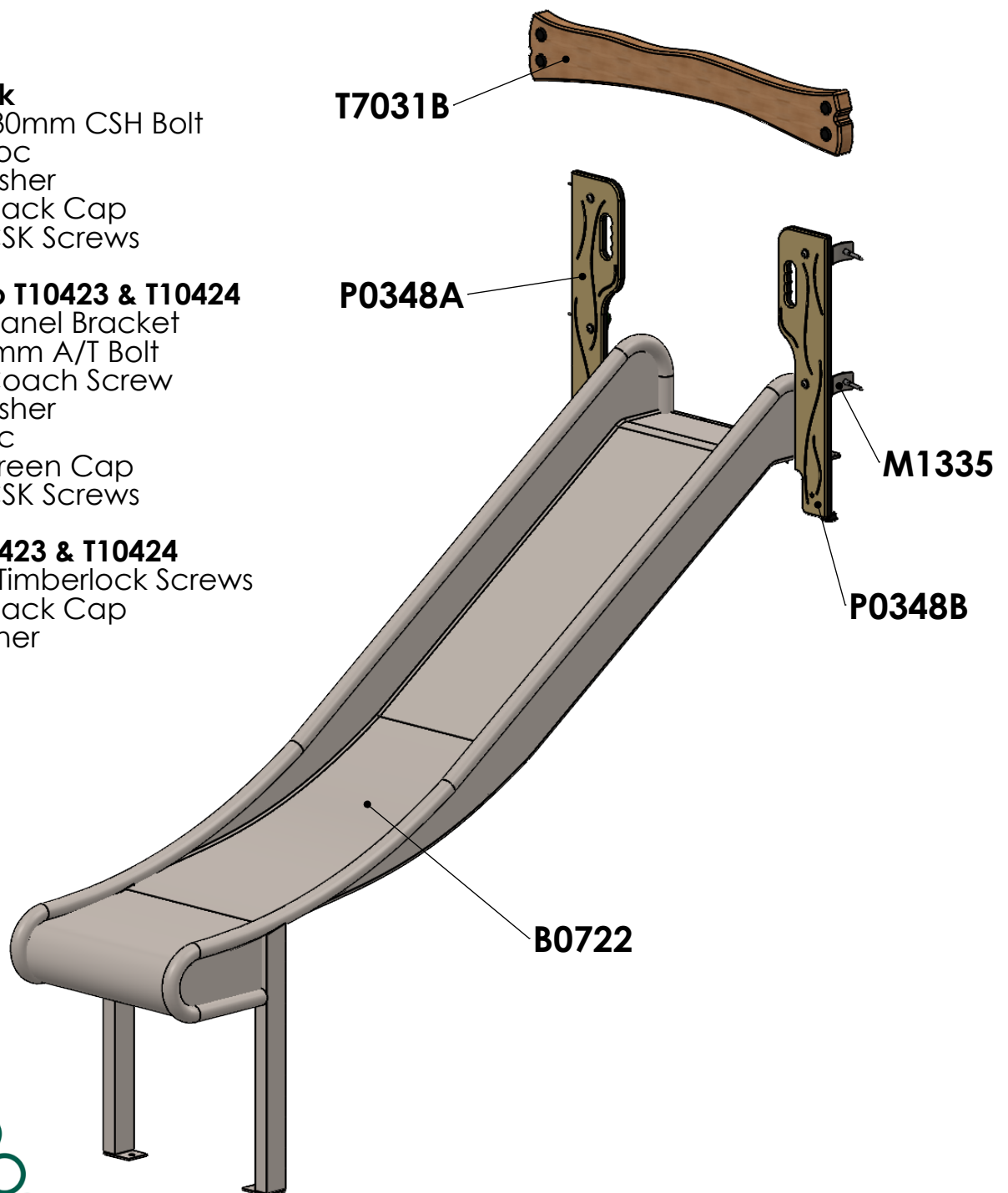
2 no M12 x 130mm CSH Bolt
2 no M12 Nyloc
2 no M12 Washer
2 no 33mm Black Cap
4 no 70mm CSK Screws

P0348A & B to T10423 & T10424

4 no M1335 Panel Bracket
4 no M8 x 40mm A/T Bolt
4 no 75mm Coach Screw
12 no M8 Washer
4 no M8 Nyloc
8 no 2 Part Green Cap
2 no 70mm CSK Screws

T7031B to T10423 & T10424

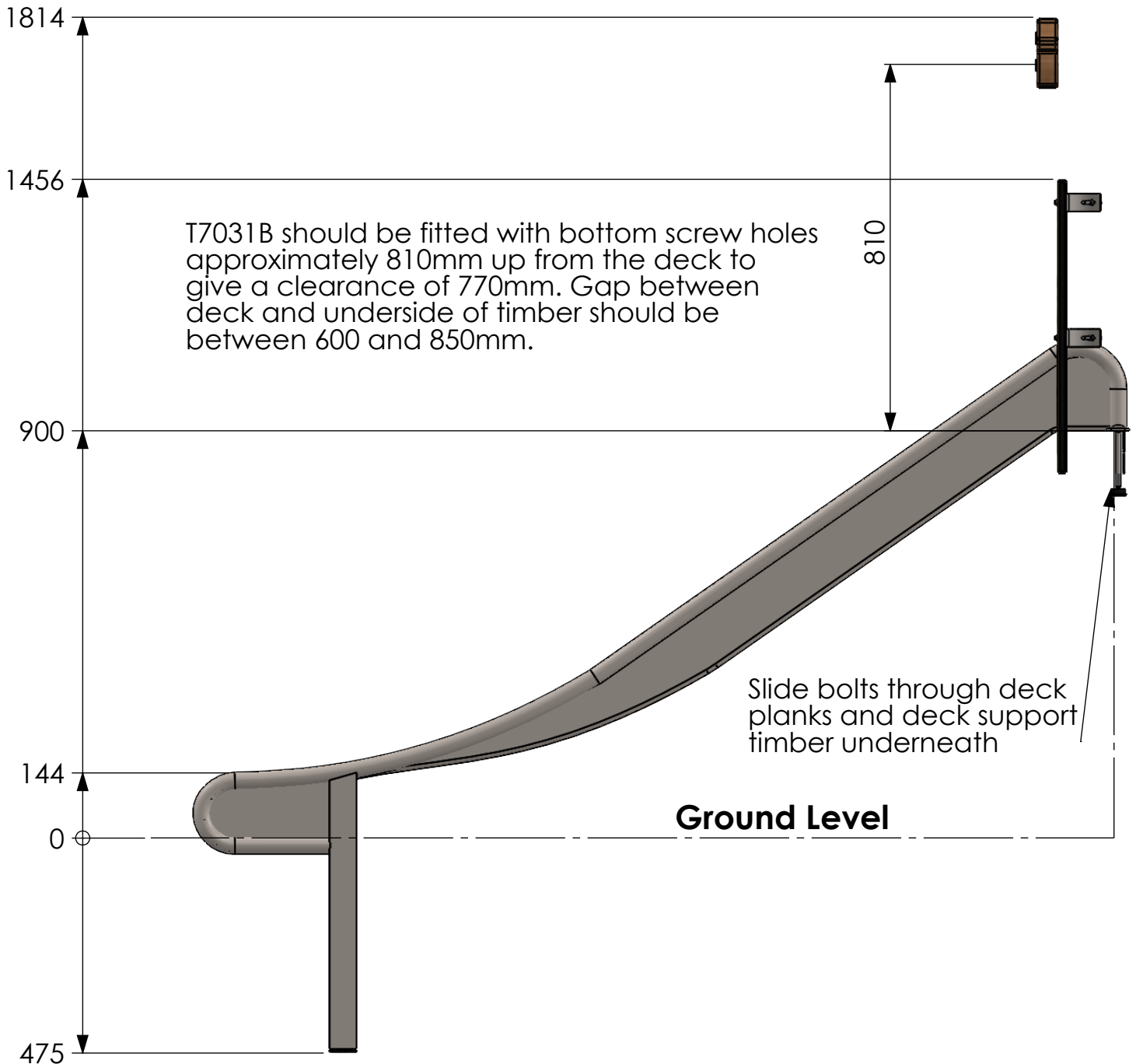
4 no 100mm Timberlock Screws
4 no 28mm Black Cap
4 no M8 Washer



A0062. - 0.9m Slide - Instructions

Dimensions - Page 2 of 2

Revision -
Saved Date 03 July 2025 14:15:15



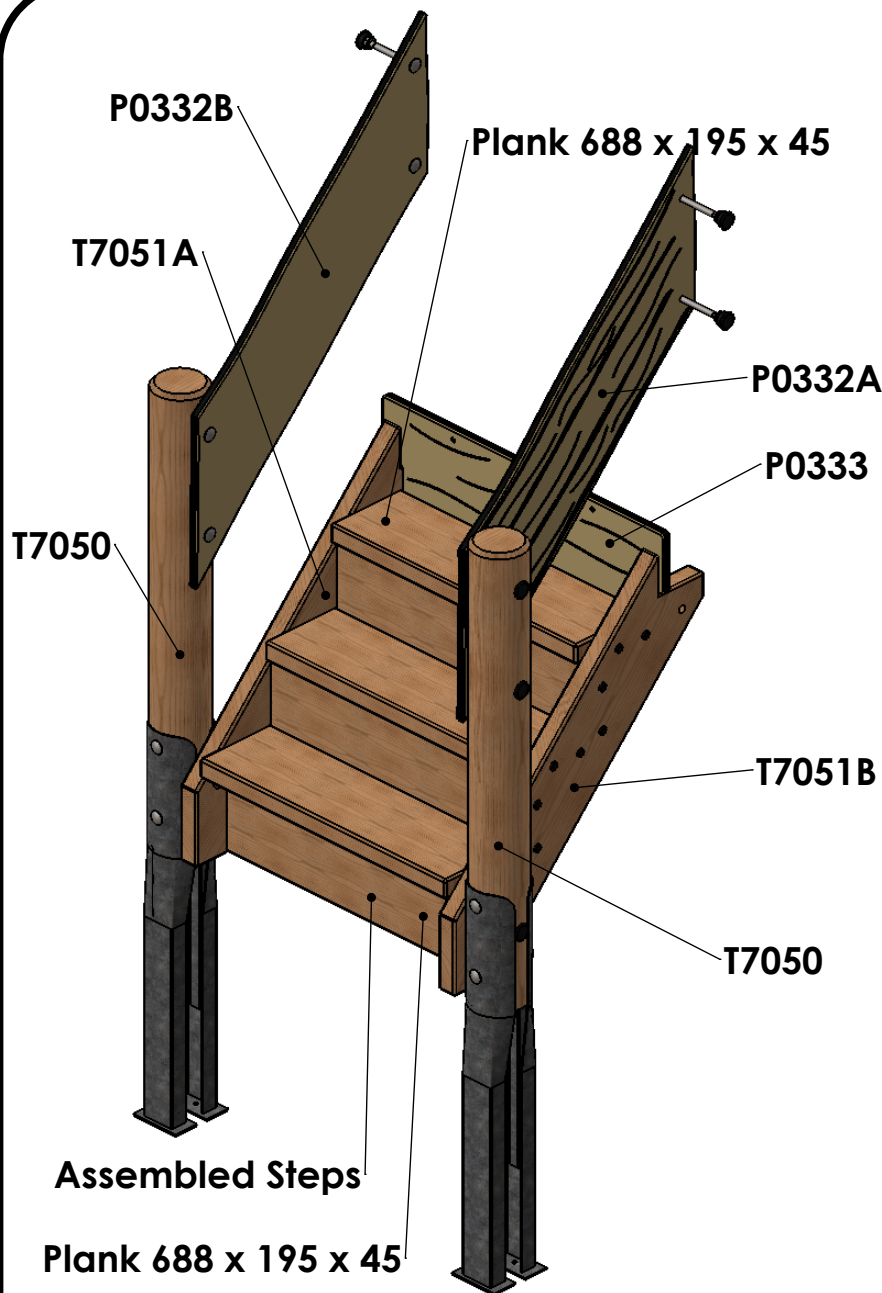
a e evans

Statement of Compliance: AE Evans Ltd. manufacturers of children's playground equipment follow the codes and practices outlined in the British and European Standards. By doing this, all equipment for play areas manufactured by AE Evans meets the requirements of BSEN 1176 (general safety and test methods). Spares can be supplied via equipment distributor.

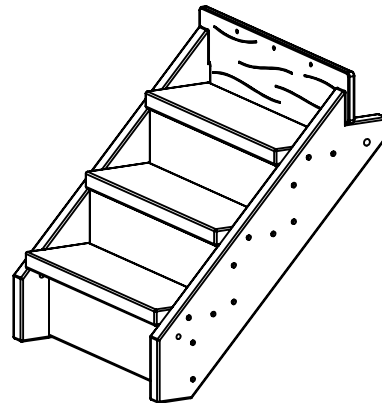
A0032 - 0.9m Access Steps - Installation

General Information - Page 1 of 1

Revision -
Saved Date 25 March 2021 15:41:38



Steps come pre-assembled.



Assembled Steps to T7050 x2

- 2 no M12 x 150mm CSH Bolt
- 2 no M12 Washer
- 2 no M12 Nyloc
- 2 no 33mm Black Cap

P0332A/B to T7050 x2 & Tower Legs

- 8 no M12 x 130mm CSH Bolt
- 8 no M12 Washer
- 8 no M12 Nyloc
- 8 no 33mm Black Caps

Steps to Tower Legs

- 2 no M16 x 150mm CSH Bolt
- 2 no M16 x Washer
- 2 no M16 x Nyloc
- 2 no 40mm Black Cap

P0333 to Tower Deck

- 3 no 5 x 70mm Woodscrews

ITEM NO.	PART NUMBER	DESCRIPTION	QTY.
1	T7051A	Plank 983 x 195 x 45mm CNC'd	1
2	T7051B	Plank 983 x 195 x 45mm CNC'd	1
3	Plank 688 x 195 x 45	Plank 688 x 195 x 45	6
4	P0333	Access Steps Top Riser	1
5	T7050	Timber 125mm dia, cut at 1050mm SC	2
6	P0332A	0.9m Access Steps HDPE Handrail	1
7	P0332B	0.9m Access Steps HDPE Handrail	1



a e evans

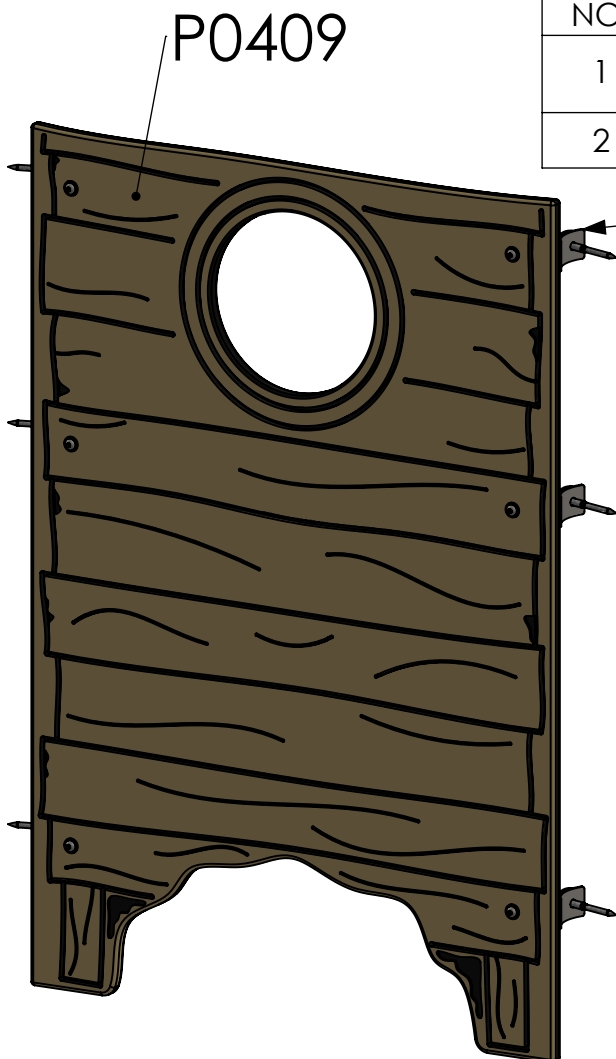
Statement of Compliance: AE Evans Ltd. manufacturers of children's playground equipment follow the codes and practices outlined in the British and European Standards. By doing this, all equipment for play areas manufactured by AE Evans meets the requirements of BSEN 1176 (general safety and test methods). Spares can be supplied via equipment distributor.

A0131 -Window with Arch - Installation

General Information - Page 1 of 1

Revision -
Saved Date 08 February 2022 14:58:44

ITEM NO.	PART NUMBER	DESCRIPTION	QTY.
1	P0409	1200mm HDPE Top Panel with Window + Under Deck Arch	1
2	M1335	Panel Bracket	6

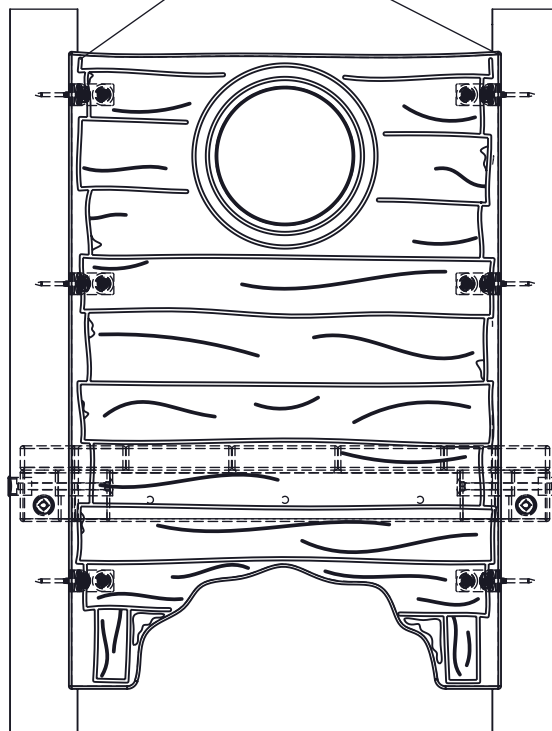


M1335

P0409 to Main Unit Legs

- 6 no M1335 Panel Brackets
- 6 no M8 x 40mm Anti Tamper Bolt
- 6 no M8 x 75mm Coach Screw
- 6 no M8 Nyloc
- 18 no M8 Washer
- 12 no 2 Part Green Cap

Ensure even gap
both sides

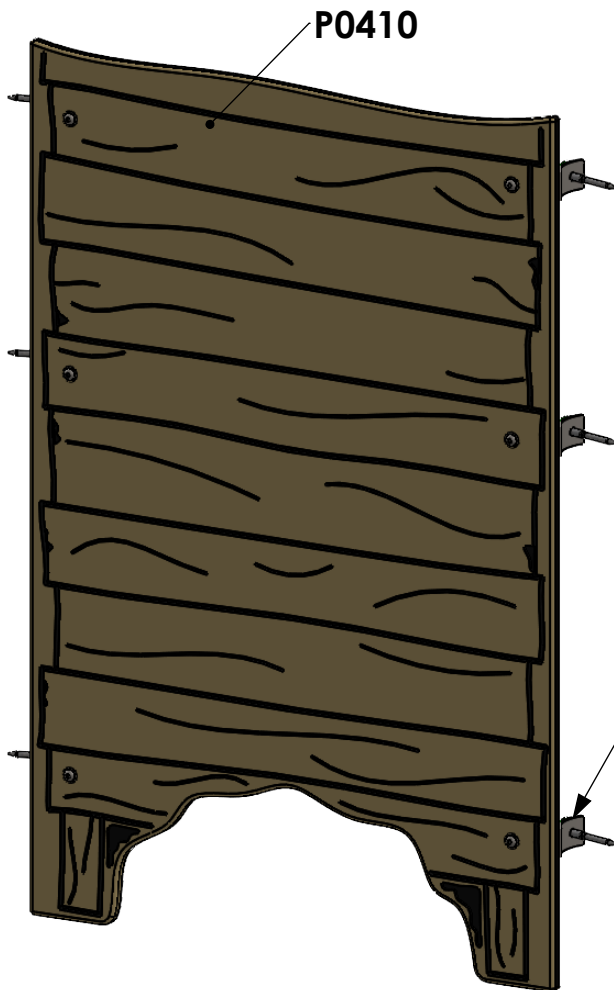


Ensure an even gap on each side of the panel between the plastic and main unit legs. Gaps should not exceed 5mm in width.

A0132 - Infill Panel with Under Deck Arch - Instructions

General Information - Page 1 of 1

Revision -
Saved Date 23 June 2025 12:14:07

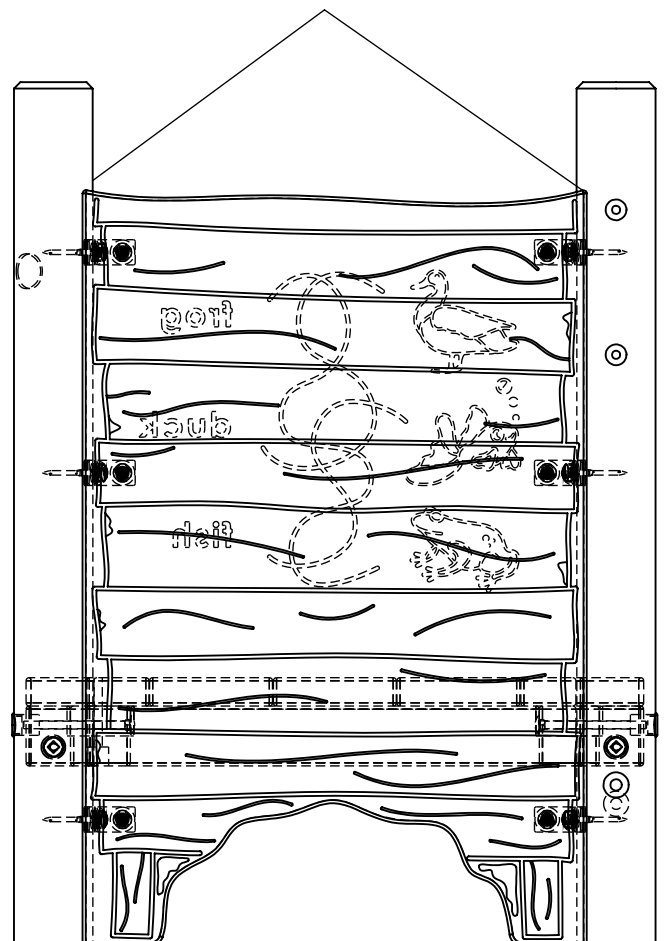


ITEM NO.	PART NUMBER	DESCRIPTION	QTY.
1	P0410	1200mm HDPE Top Panel with Under Deck Arch	1
2	M1335	Modular Towers Panel Bracket	6

P0410 to Main Unit Legs

- 6 no M1335 Panel Brackets
- 6 no M8 x 40mm Anti Tamper Bolt
- 6 no M8 x 75mm Coach Screw
- 6 no M8 Nyloc
- 18 no M8 Washer
- 12 no 2 Part Green Cap

Ensure even gap
both sides



Ensure an even gap on each side of the panel between the plastic and main unit legs. Gaps should not exceed 5mm in width.



Statement of Compliance: AE Evans Ltd. manufacturers of children's playground equipment follow the codes and practices outlined in the British and European Standards. By doing this, all equipment for play areas manufactured by AE Evans meets the requirements of BSEN 1176 (general safety and test methods). Spares can be supplied via equipment distributor.