

**Mini Basket**

SW21

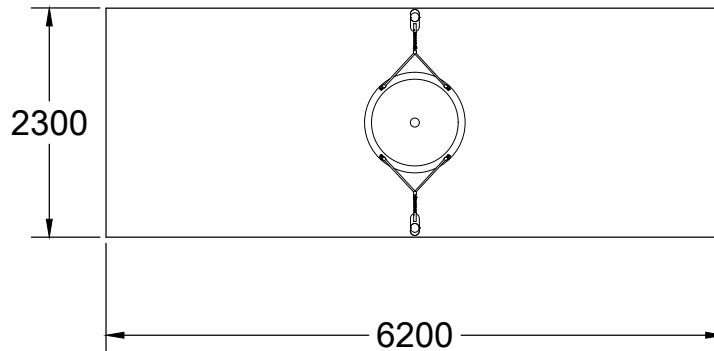


<b>2+</b>	<b>3</b>	<b>6hrs</b>	<b>1500</b>	<b>14.5</b>	<b>2.3mx6.2m</b>	

Mini Basket Swing offers an inclusive play experience by providing a comfortable, supportive space where children can swing independently or enjoy shared play with friends. The basket seat accommodates a range of abilities and encourages social interaction, cooperation and turn-taking. The gentle swinging motion delivers valuable vestibular sensory input, helping to develop balance, coordination and body awareness while creating a calming and enjoyable experience for children of all abilities.

**Key**

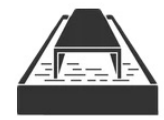
<b>Age Range</b>	<b>Number Of Users</b>	<b>Assembly Time</b>	<b>Free Fall Height</b>	<b>Impact Area</b>	<b>Wheelchair Accessible</b>	<b>Space Needed</b>	<b>For All Users</b>



**Specification**

Age Range:	2+ Years
Safety Area Width (mm):	2300
Safety Area Length (mm):	6200
Safety Area (m <sup>2</sup> ):	14.5
Free Fall Height (mm):	1500
Assembly Time:	6 hrs
People For Installation:	2

There shall be an additional area with a length of 500mm in the swing direction (Front and Back) free from obstacles.



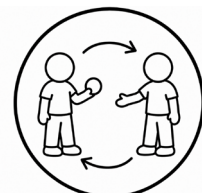
Hot-Dip Galvanising  
Optional Extra



**Inclusive Information**



SWINGING / ROCKING



TURN-TAKING



SHARING



WORKING TOGETHER

Guaranteed for product lifetime against structural failure



Guaranteed for 5 years

Guaranteed for 5 years



Guaranteed for 8 years

Guaranteed for 10 years



Guaranteed for 2 years

Guaranteed for 2 years



Guaranteed for 1 year

## Play Panels + HDPE Products



For consumable parts:  
- Beaters  
- Cables



For electronic failure caused by manufacturing defects in:  
- Speakers  
- Sound chips  
- Circuit boards



For mechanical failure caused by faulty workmanship or material defects in:  
- Moving parts  
- Standing and heavy duty springs



For defects resulting from the manufacture of:  
- High density polyethylene sheets  
- Structural steel components