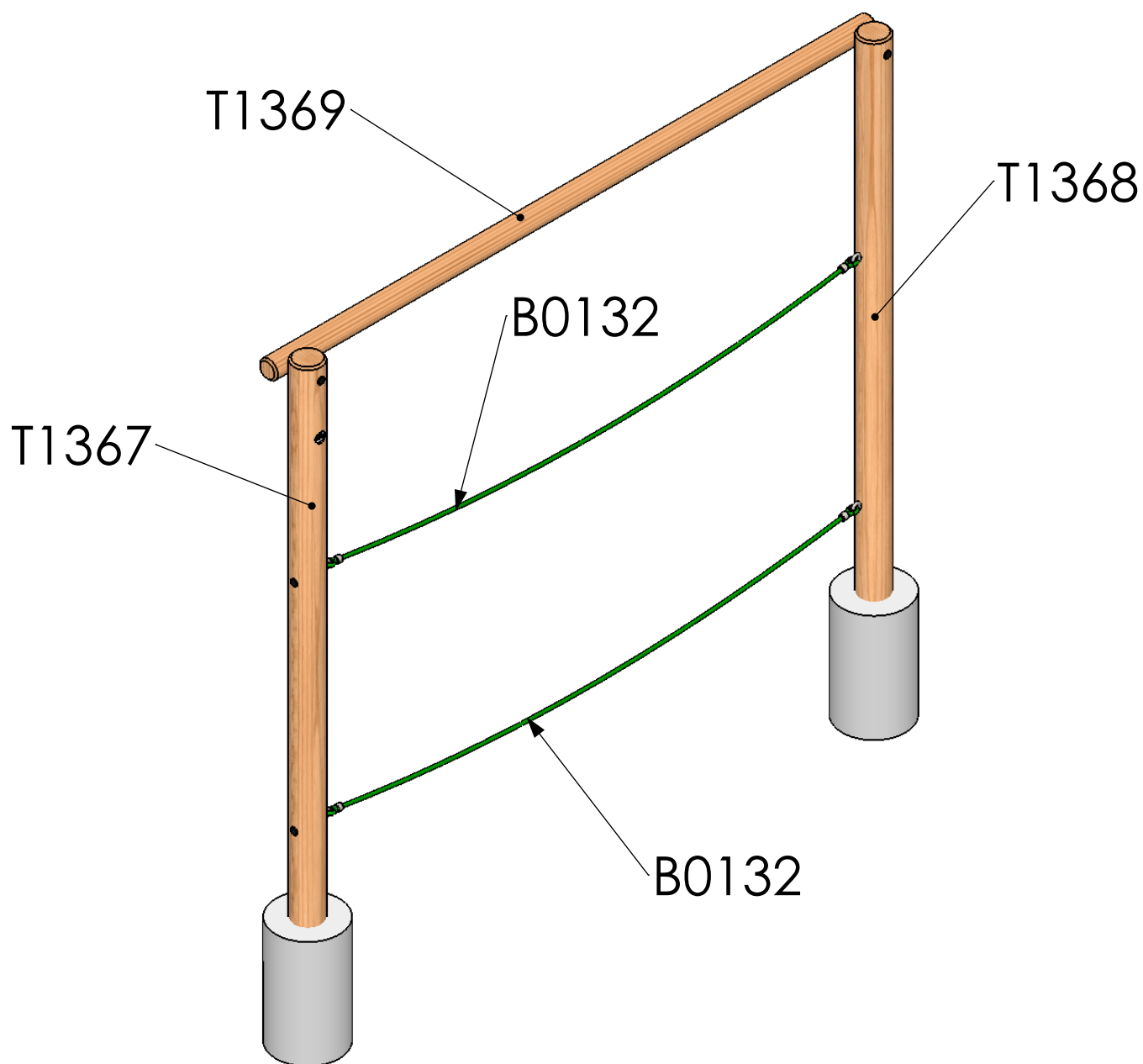


# Rope Walk

General Information - Page 1 of 3

Revision - 0  
Saved Date 14 May 2020 09:30:50

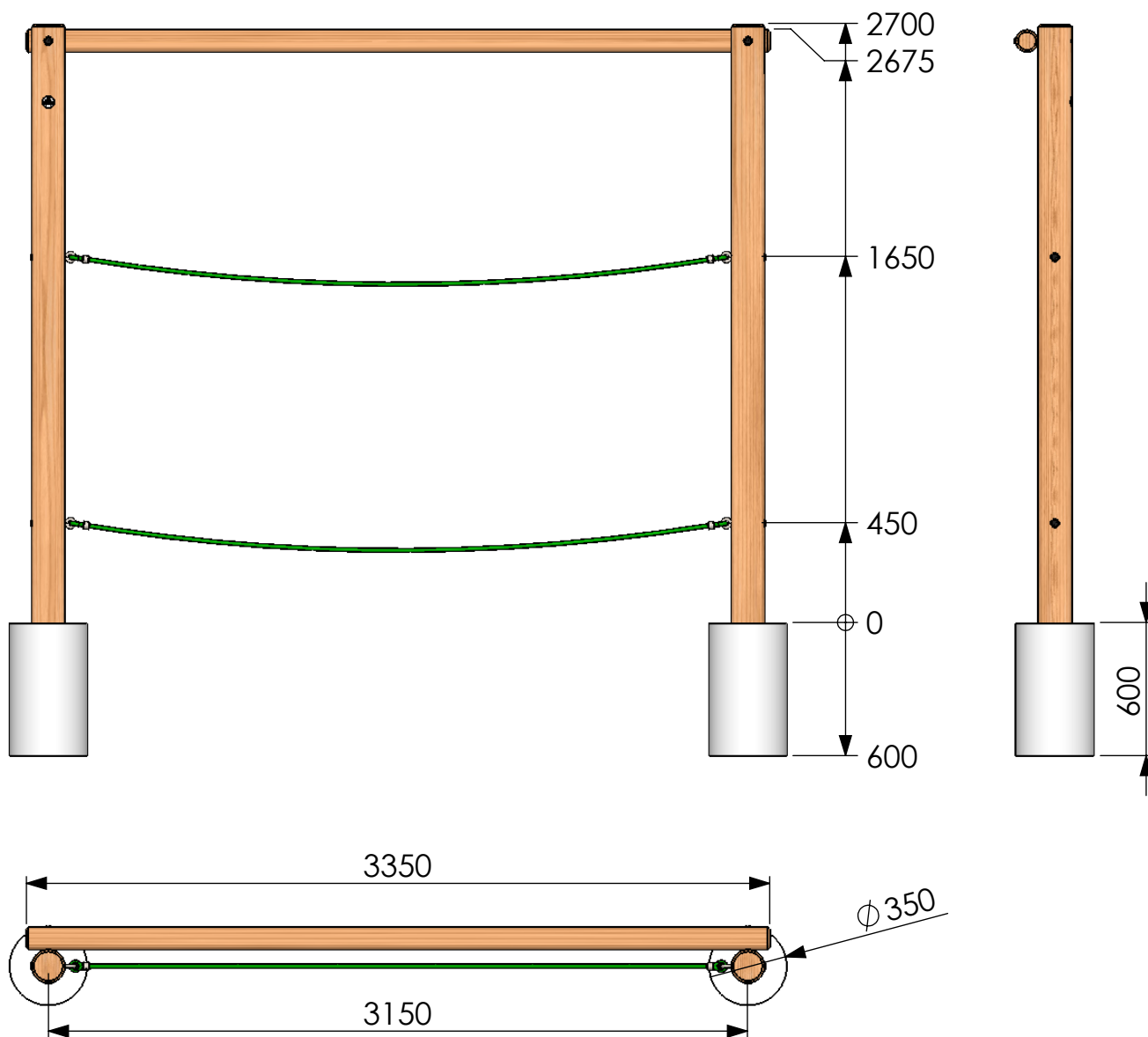


ITEM NO.	PART NUMBER	DESCRIPTION	QTY.
1	T1367	Timber 150mm dia. cut at 3300mm SC	1
2	T1368	Timber 150mm dia. cut at 3300mm SC	1
3	T1369	Timber 100mm dia. cut at 3350mm DC	1
4	B0132	3m Rope Walk	2



Statement of Compliance: AE Evans Ltd. manufacturers of children's playground equipment follow the codes and practices outlined in the British and European Standards. By doing this, all equipment for play areas manufactured by AE Evans meets the requirements of BSEN 1176 (general safety and test methods). Spares can be supplied via equipment distributor.

# Rope Walk



**Dig groundworks 600mm deep**

## Rope Walk - Bolt List

- 02 No M12 x 240 CSH Bolts
- 06 No M12 Washers
- 06 No M12 Nylock Nuts
- 06 No 33mm Black Inserts

No safety surface required as critical fall height is less than 600mm. However we suggest allowing an appropriate free space around the item in compliance with BS EN1176.

Please note additional fixings have been included therefore you may have left overs



**ae evans**

Statement of Compliance: AE Evans Ltd. manufacturers of children's playground equipment follow the codes and practices outlined in the British and European Standards. By doing this, all equipment for play areas manufactured by AE Evans meets the requirements of BSEN 1176 (general safety and test methods). Spares can be supplied via equipment distributor.

# Rope Walk

Area = 16.99m<sup>2</sup>  
FFH = 450mm

