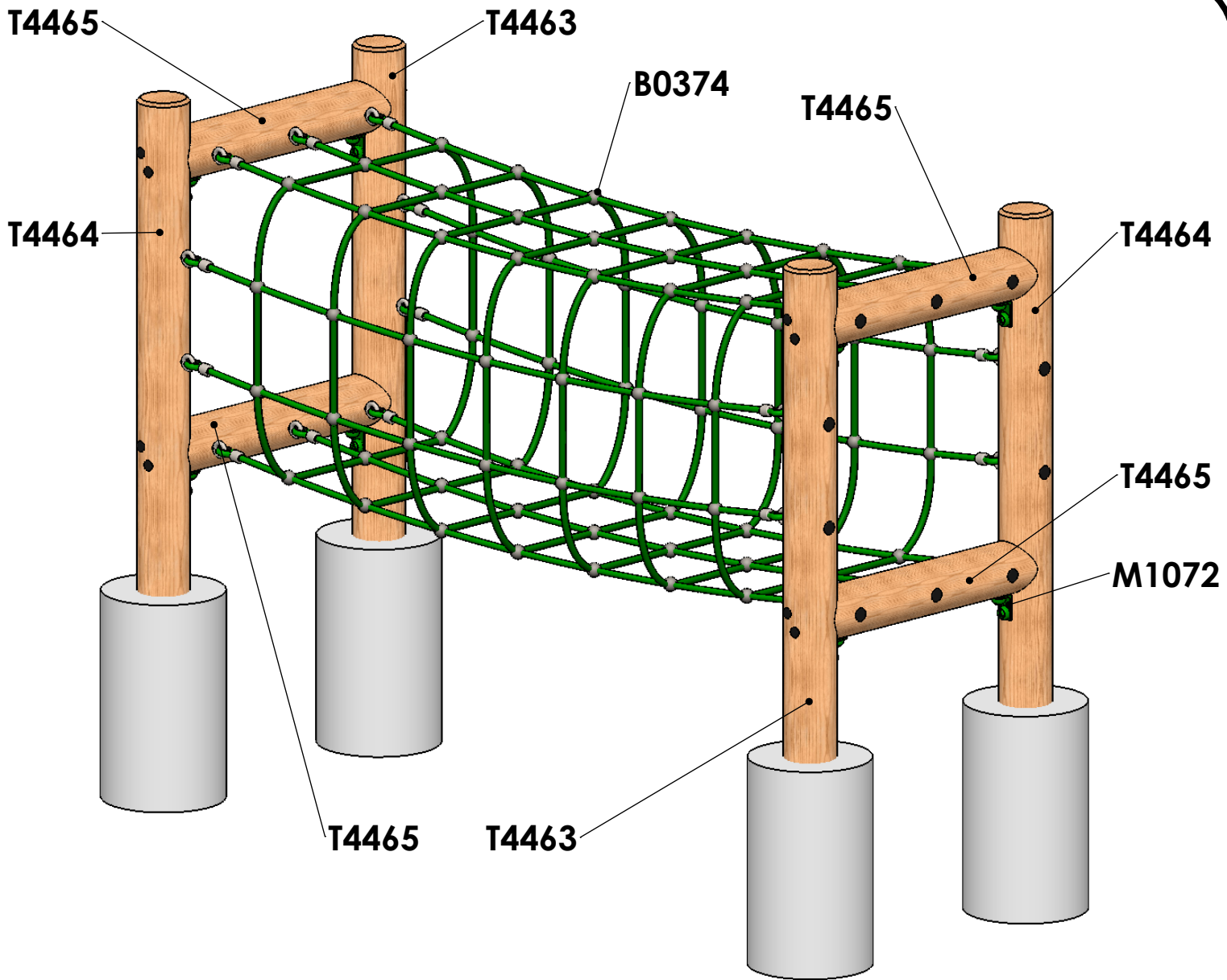


Rope Tunnel.

General Information - Page 1 of 4

Revision -
Saved Date 29 July 2016 15:04:48



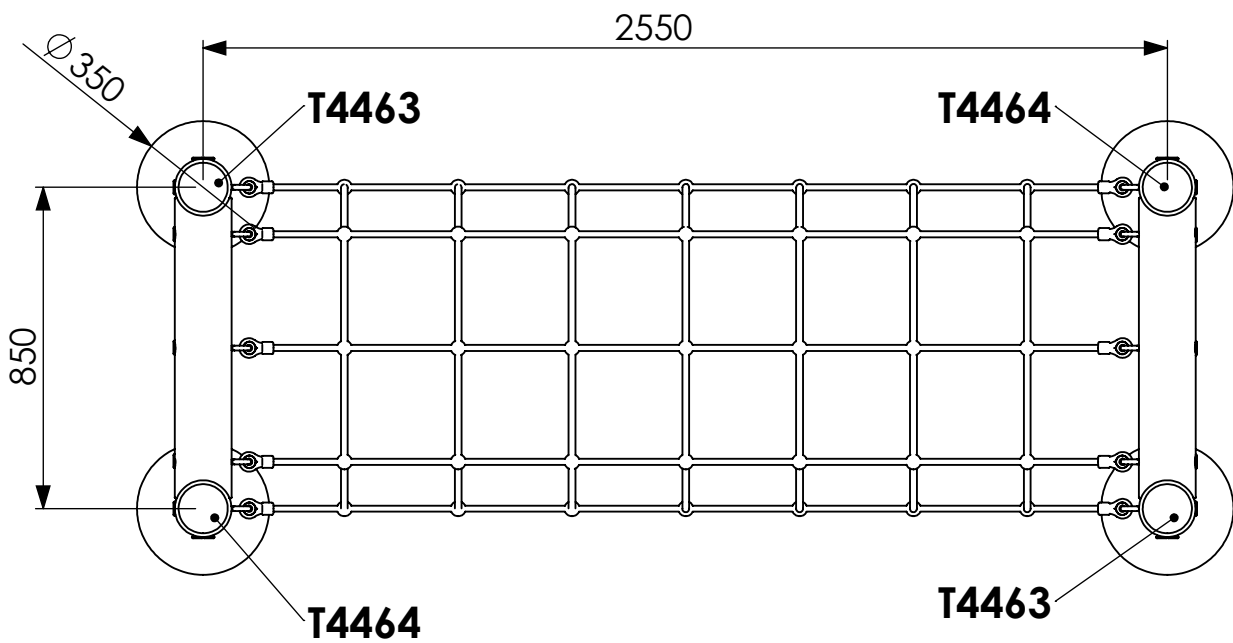
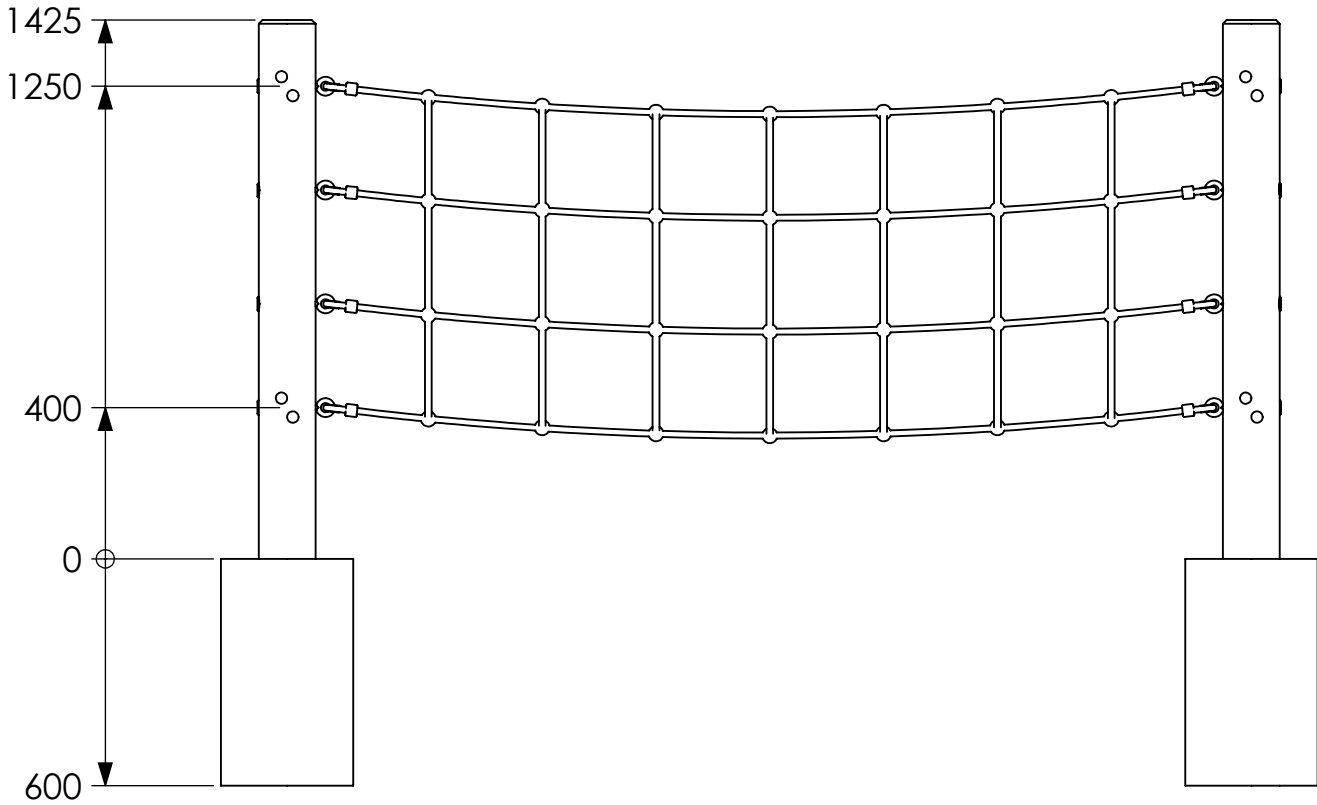
ITEM NO.	PART NUMBER	DESCRIPTION	QTY.
1	T4463	Timber 150mm dia. cut at 2025mm SC	2
2	T4464	Timber 150mm dia. cut at 2025mm SC	2
3	T4465	Timber 150mm dia. cut at 850mm	4
4	B0374	Rope Tunnel	1
5	M1072	Angle Bracket 75 x 50 x 6mm	8

Rope Tunnel.

Excavation Detail - Page 2 of 4

Revision -
Saved Date 29 July 2016 15:04:48

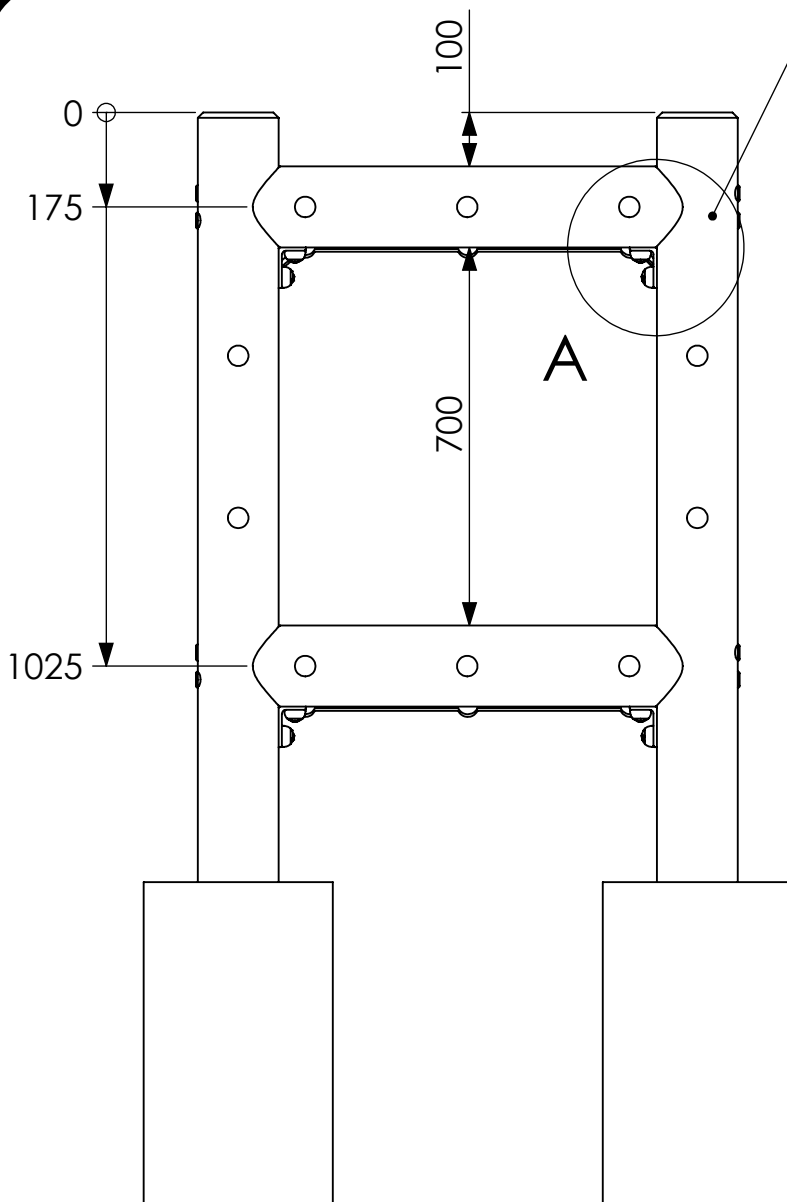
Dig all groundworks 600mm deep



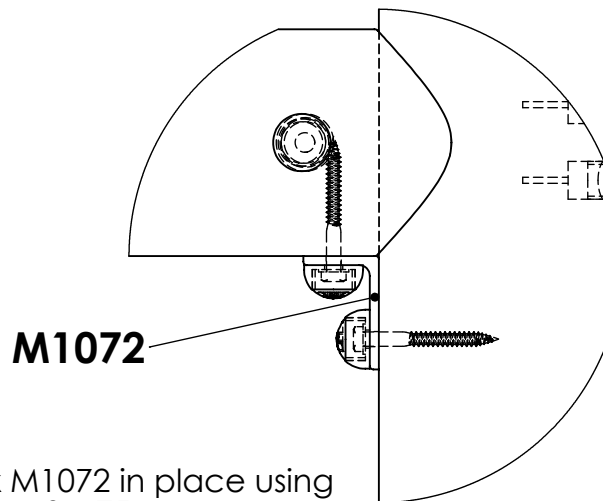
Rope Tunnel.

Construction Details - Page 3 of 4

Revision -
Saved Date 29 July 2016 15:04:48



Screw through Legs into cross supports using 200mm Screws. Once in place fit bracket M1072 to give additional support.



M1072

Fix M1072 in place using 2 x M8 x 75mm screws. Ensure all screws are cover with bolt covers.

DETAIL A
SCALE 1 : 5

4 Brackets per end frame

Bolt List

Timber Crossbars T4465 to Legs
T4463 and T4464

16 No 200mm Timberlock Screws
01 No Drive bit for above bolts
16 No M8 Washers
16 No 25mm Black Inserts

Rope Fixings

20 No M12 Washers
20 No M12 Nylock Nuts
20 No 33mm Black Inserts

Brackets M1072 to Timbers
16 No M8 x 75mm Coach Screws
16 No M8 Washers
16 No 2 Part Green Bolt Covers

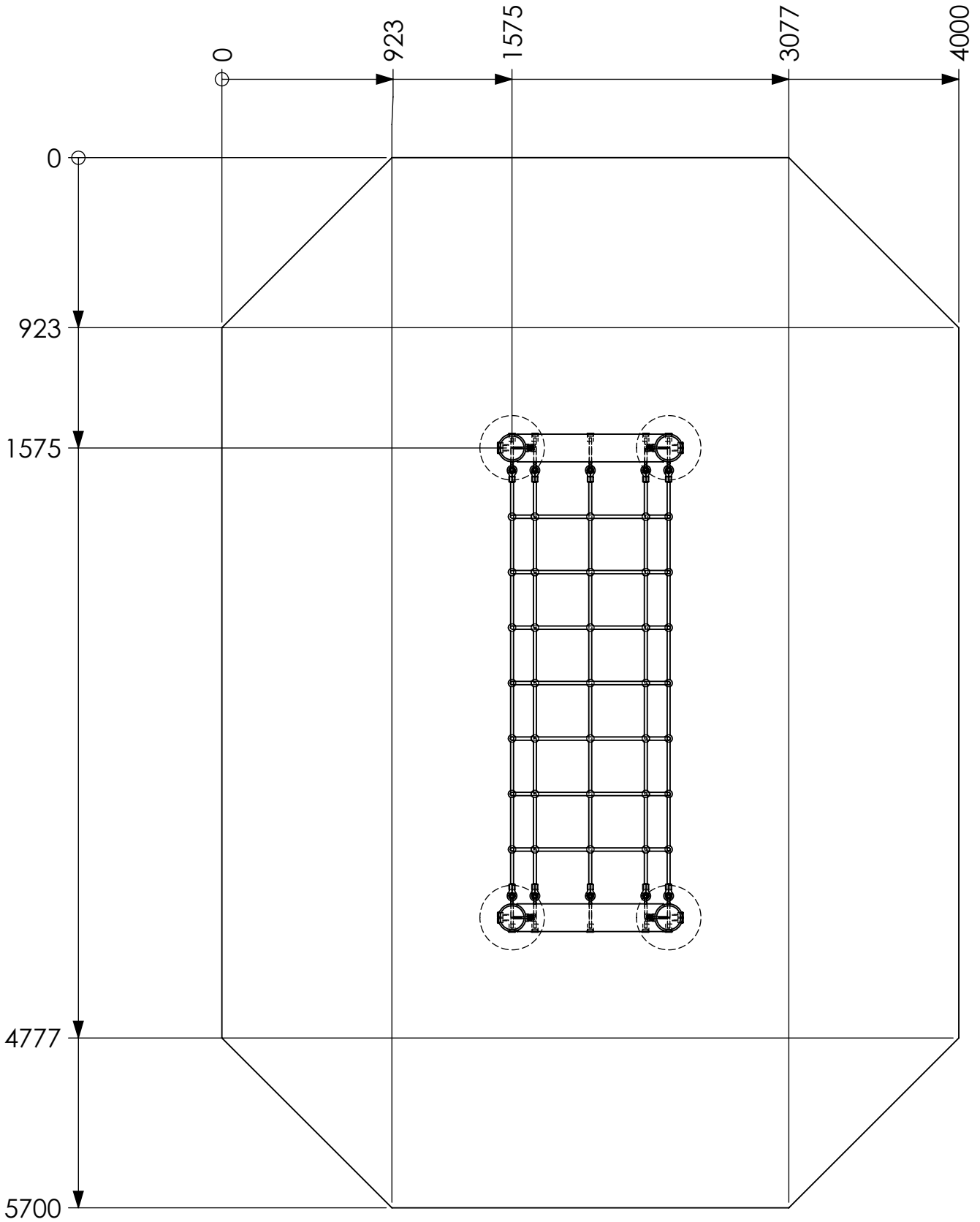
Please note additional fixings have been included therefore you may have left overs



Rope Tunnel.

Surfacing Detail - Page 4 of 4

Revision -
Saved Date 29 July 2016 15:04:48



Area = 21.1m²
FFH = 1.425m



Statement of Compliance: AE Evans Ltd. manufacturers of children's playground equipment follow the codes and practices outlined in the British and European Standards. By doing this, all equipment for play areas manufactured by AE Evans meets the requirements of BSEN 1176 (general safety and test methods). Spares can be supplied via equipment distributor.