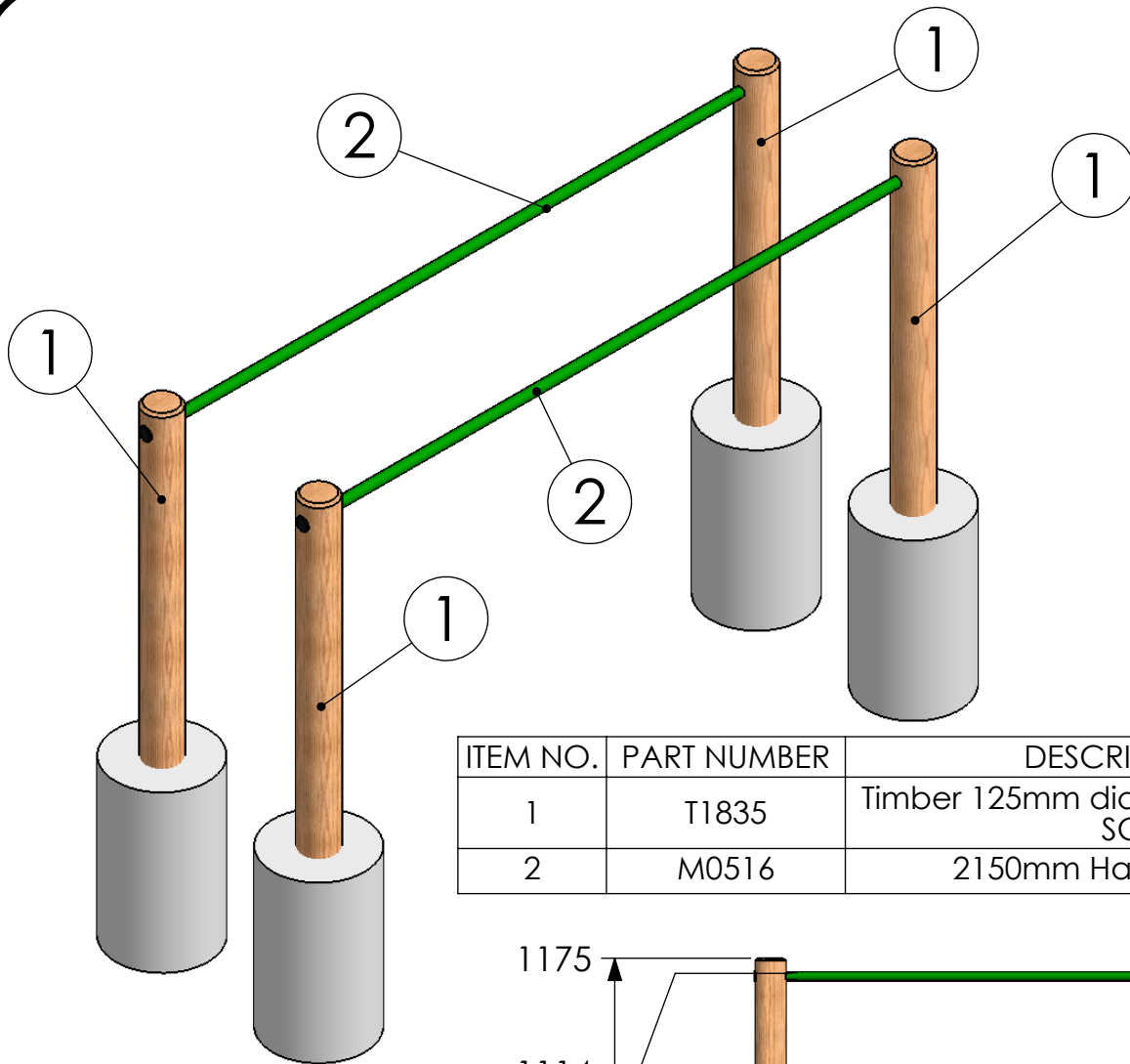


Parallel Bars



ITEM NO.	PART NUMBER	DESCRIPTION	QTY
1	T1835	Timber 125mm dia. cut at 1775mm SC	4
2	M0516	2150mm Handgrip bar	2

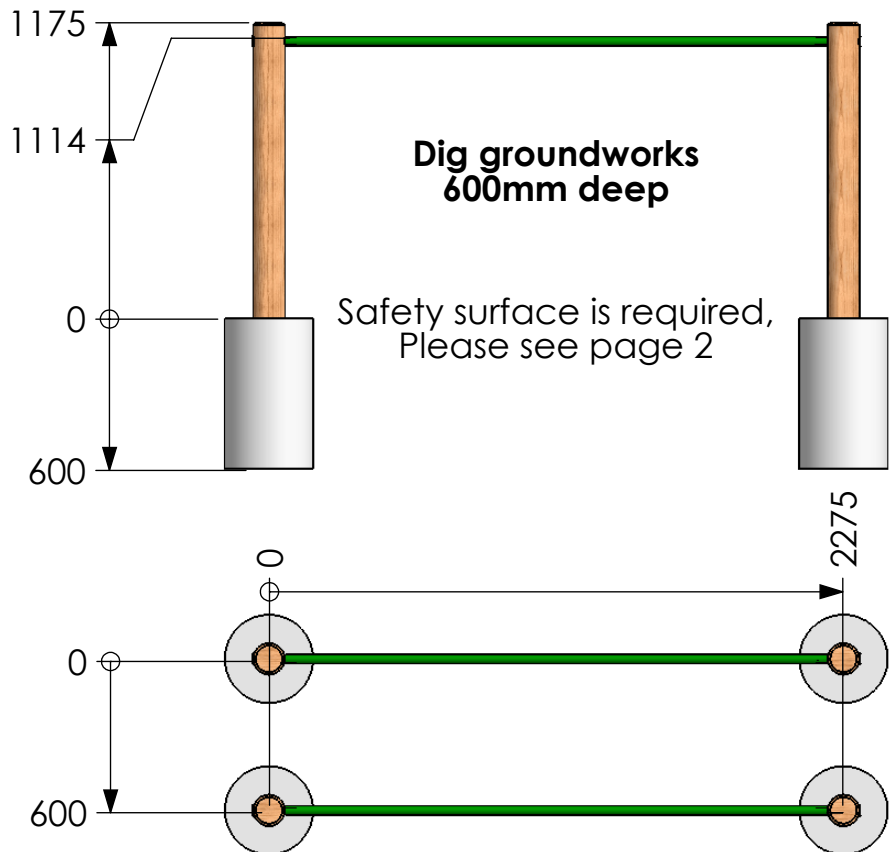
Parallel Bars - Bolt List

- 04 No M16 x 110 Hex Bolts
- 04 No M16 Washers
- 04 No 40mm Black Inserts

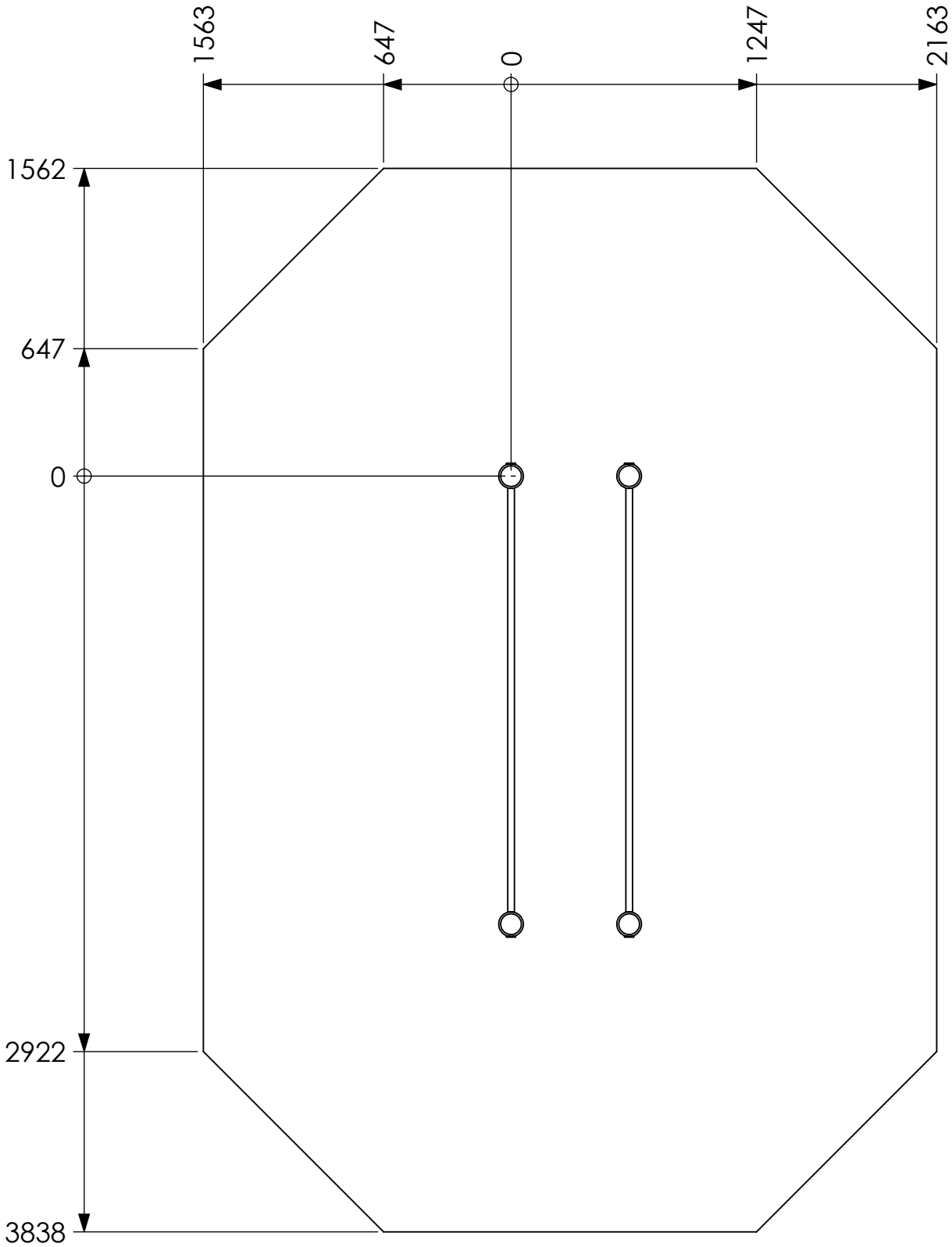
PLUS

- 02 No 2150mm Steel Handrails

Please note additional fittings have been included therefore you may have leftovers



Parallel Bars



FFH: 1175mm

Surface Area: 18.44m²

