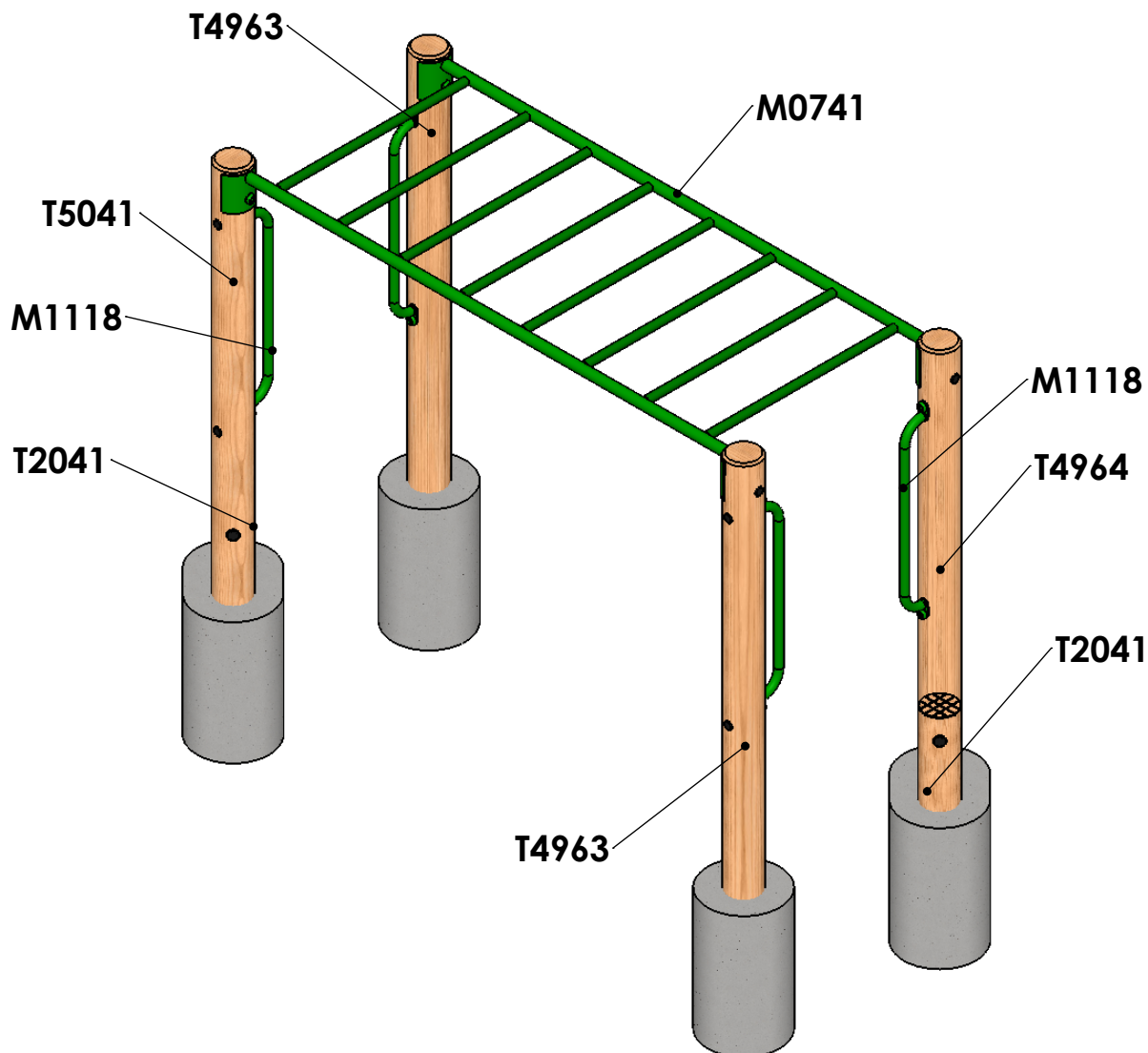


Monkey Bars

General Information - Page 1 of 3

Revision -
Saved Date 19 July 2017 16:29:37

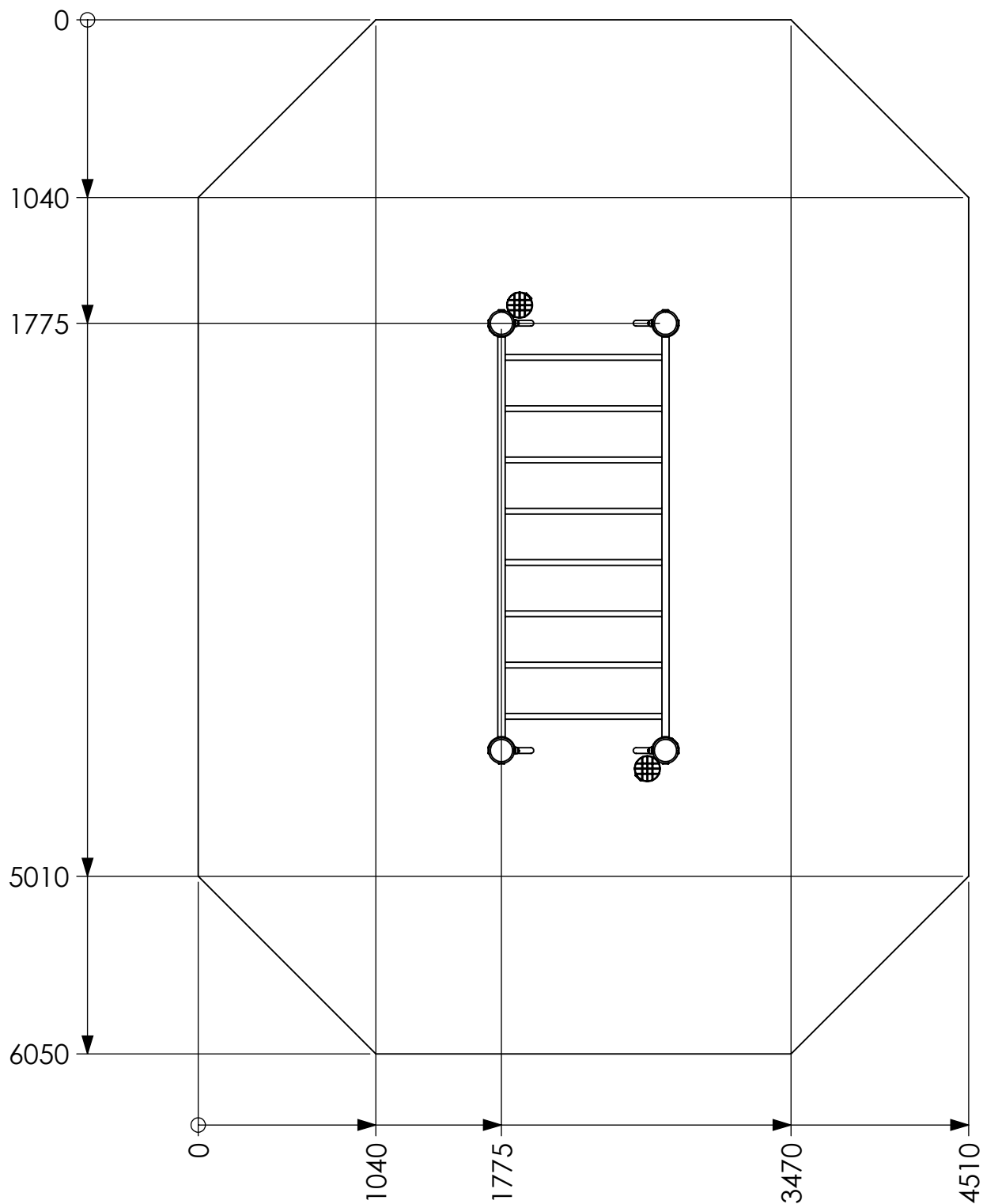


ITEM NO.	PART NUMBER	DESCRIPTION	QTY.
1	T2041	Timber 150mm dia. cut at 1000mm	2
2	T4964	Timber 150mm dia. cut at 2450mm SC	1
3	T4963	Timber 150mm dia. cut at 2450mm SC	2
4	T5041	Timber 150mm dia. cut at 2450mm SC	1
5	M0741	Monkey Bars 810 deck 6" Cup 2.34m	1
6	M1118	Handgrip Bar	4

Monkey Bars

Surfacing Detail - Page 3 of 3

Revision -
Saved Date 19 July 2017 16:29:37



FFH: 1.85m

Surface Area: 25.3m²



Statement of Compliance: AE Evans Ltd. manufacturers of children's playground equipment follow the codes and practices outlined in the British and European Standards. By doing this, all equipment for play areas manufactured by AE Evans meets the requirements of BSEN 1176 (general safety and test methods). Spares can be supplied via equipment distributor.