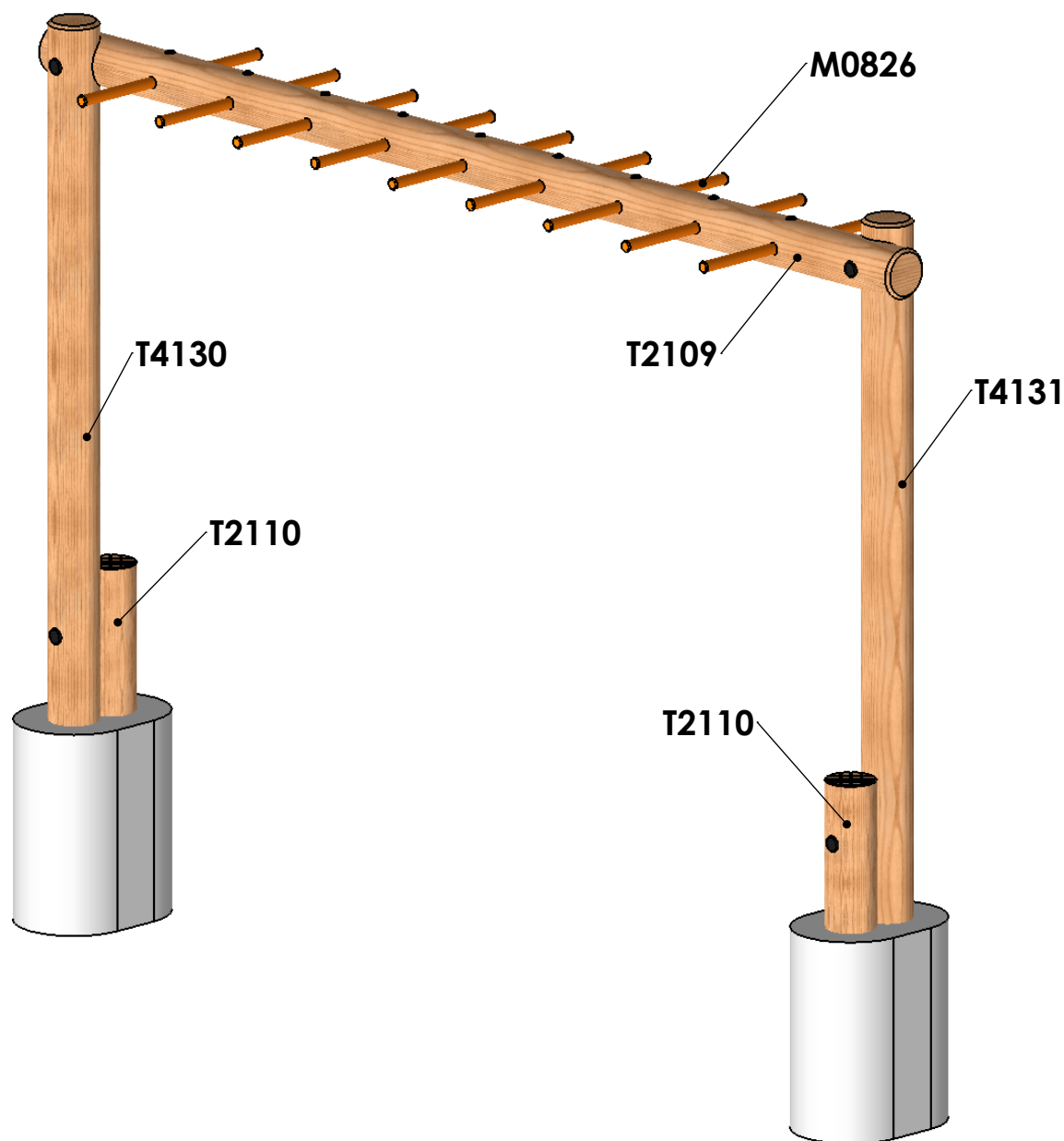


Monkey Bar Log.

General Information - Page 1 of 3

Revision - 0
Saved Date 18 January 2017 15:15:00



ITEM NO.	PART NUMBER	DESCRIPTION	QTY.
1	T2109	Timber 150mm dia. cut at 3450mm DC	1
2	T2110	Timber 150mm dia. cut at 1040mm	2
3	T4130	Timber 150mm dia. cut at 2685mm SC	1
4	T4131	Timber 150mm dia. Cut at 2685mm SC	1
5	M0826	Monkey Bar Log Rung	9



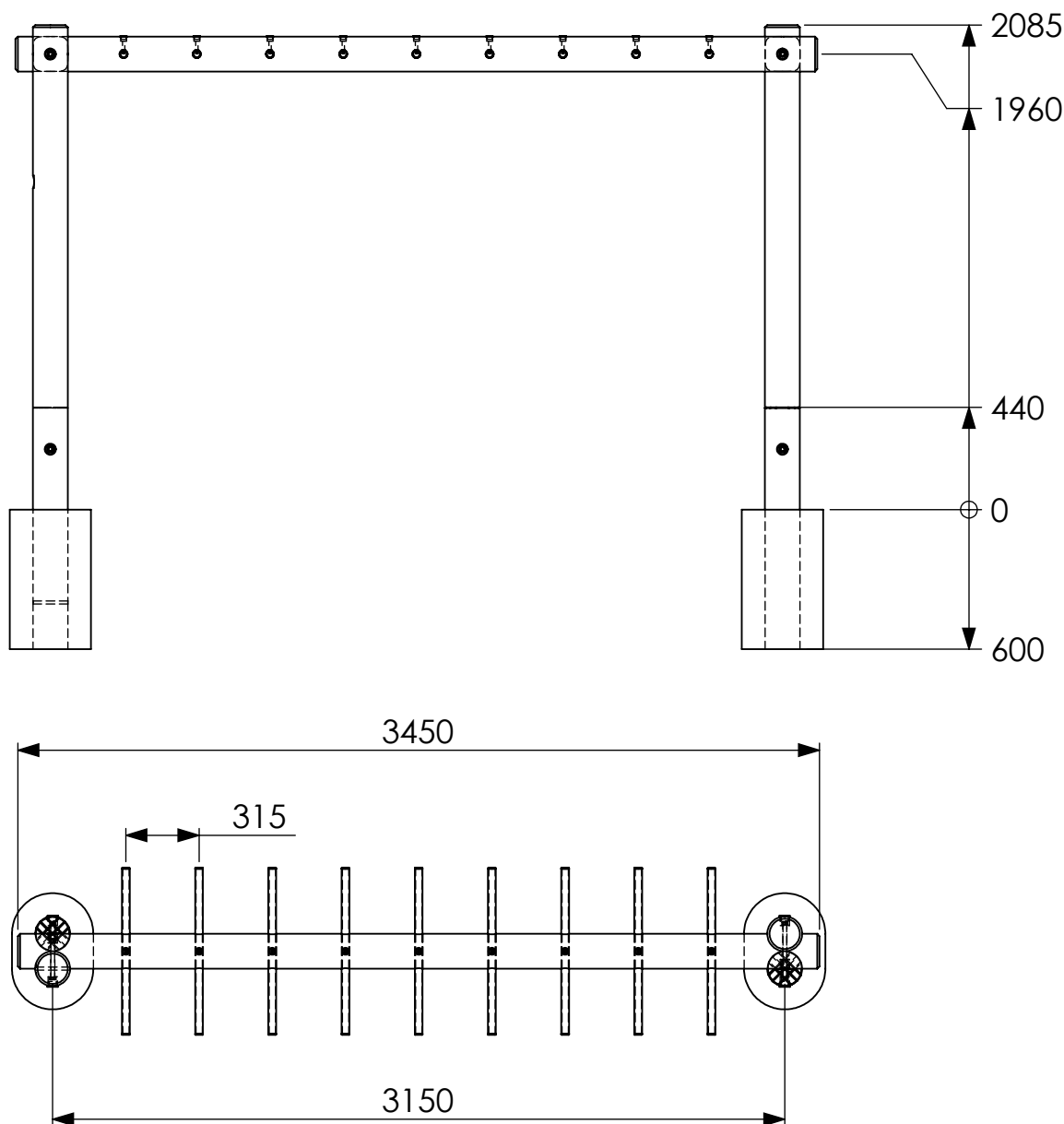
Statement of Compliance: AE Evans Ltd. manufacturers of children's playground equipment follow the codes and practices outlined in the British and European Standards. By doing this, all equipment for play areas manufactured by AE Evans meets the requirements of BSEN 1176 (general safety and test methods). Spares can be supplied via equipment distributor.

Monkey Bar Log.

Excavation Detail - Page 2 of 3

Revision - 0

Saved Date 18 January 2017 15:15:00



Monkey Bar Log - Bolt List

- 02 No M16 x 240mm Hex Bolts
- 02 No M16 x 170mm Hex Bolts
- 04 No M16 Nylock Nuts
- 08 No M16 Washers
- 08 No 40mm Black Inserts

Please note additional fixings have been included therefore you may have left overs

Dig groundworks at 600mm deep

FFH: 1.9m

Please note safety surface is required please see page 3



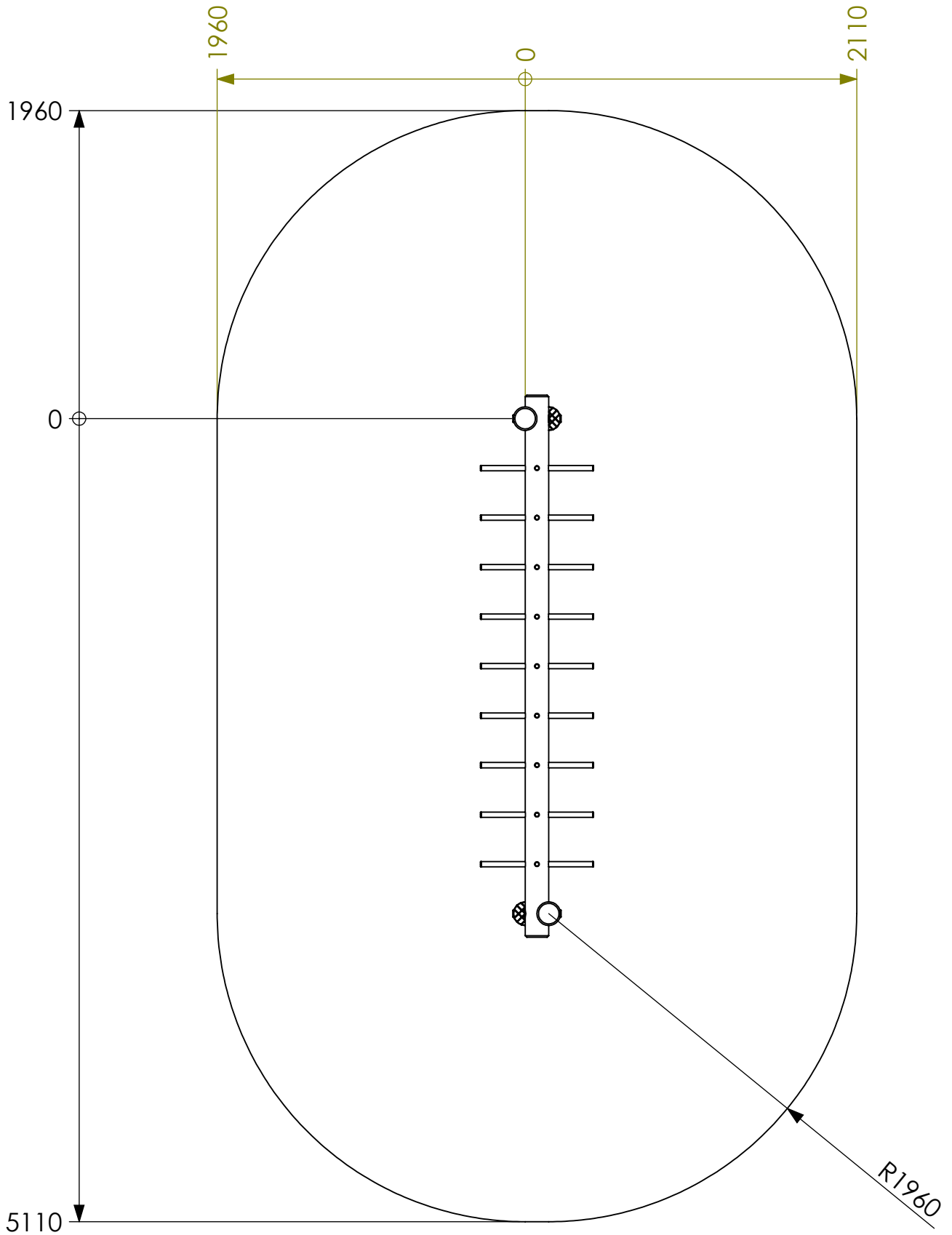
Statement of Compliance: AE Evans Ltd. manufacturers of children's playground equipment follow the codes and practices outlined in the British and European Standards. By doing this, all equipment for play areas manufactured by AE Evans meets the requirements of BSEN 1176 (general safety and test methods). Spares can be supplied via equipment distributor.

Monkey Bar Log.

Surfacing Detail - Page 3 of 3

Revision - 0

Saved Date 18 January 2017 15:15:00



FFH: 1.9m
Surface Area: 25.4m²



Statement of Compliance: AE Evans Ltd. manufacturers of children's playground equipment follow the codes and practices outlined in the British and European Standards. By doing this, all equipment for play areas manufactured by AE Evans meets the requirements of BSEN 1176 (general safety and test methods). Spares can be supplied via equipment distributor.