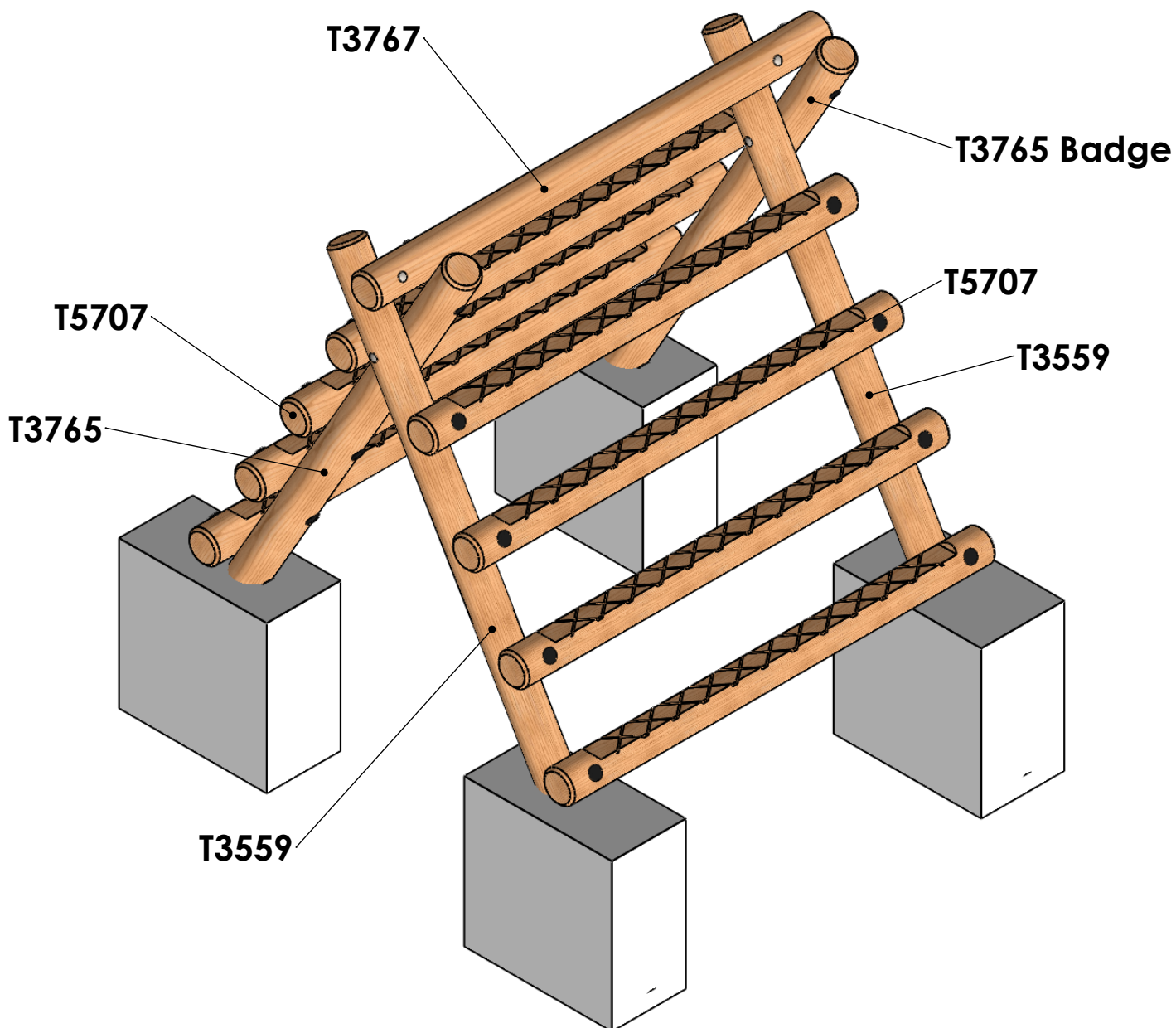


Log Climber Low

General Information - Page 1 of 4

Revision -
Saved Date 18 May 2020 15:28:25

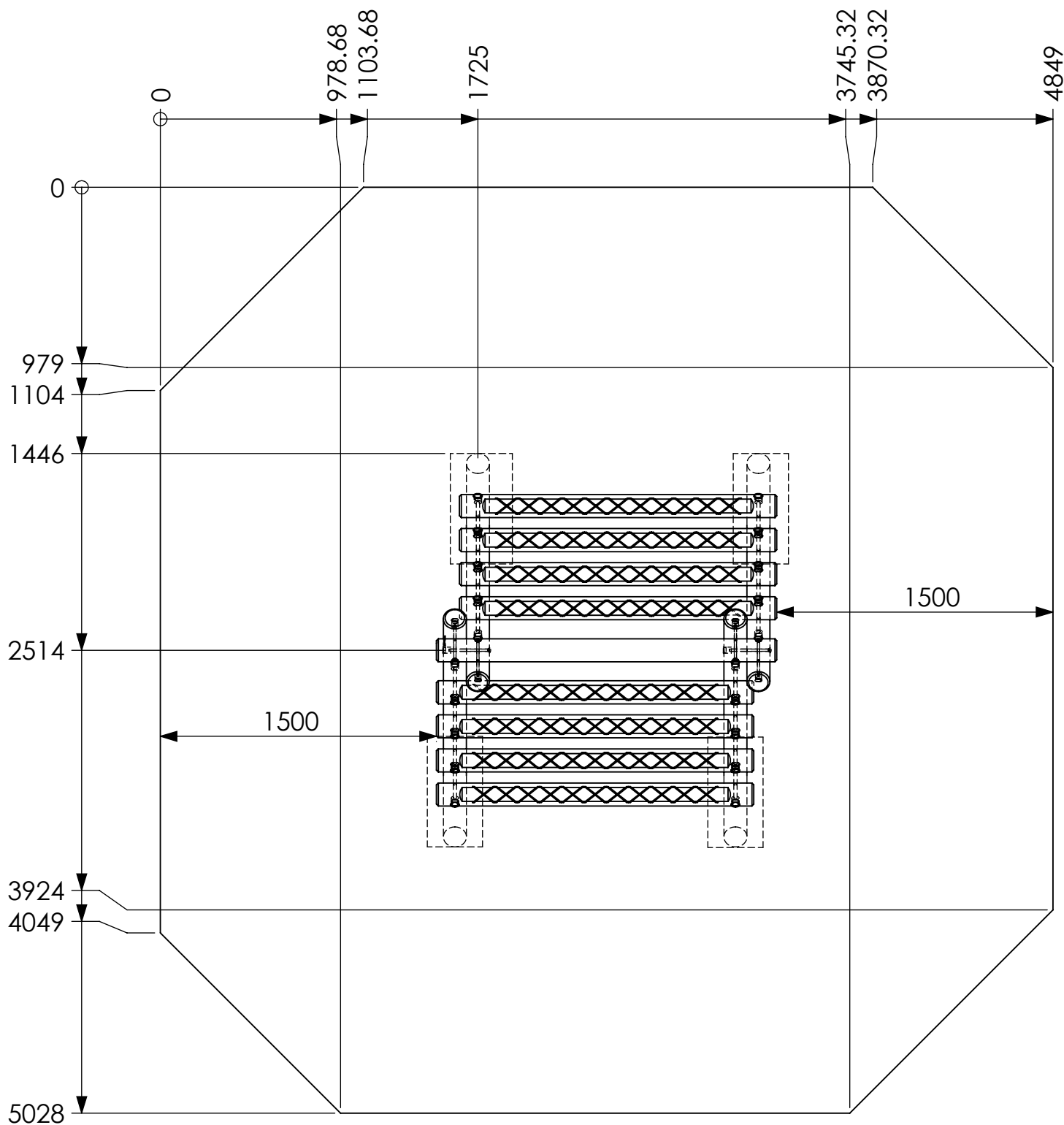


ITEM NO.	PART NUMBER	DESCRIPTION	QTY.
1	T3559	Timber 125mm dia. cut at 2378mm SC	2
2	T3765	Timber 125mm dia. cut at 2378mm SC	1
3	T3765 Badge	Timber 125mm dia. cut at 2378mm SC	1
4	T3767	Timber 125mm dia. cut at 1849mm DC	1
5	T5707	Timber 125mm dia. cut at 1724mm DC	8



Statement of Compliance: AE Evans Ltd. manufacturers of children's playground equipment follow the codes and practices outlined in the British and European Standards. By doing this, all equipment for play areas manufactured by AE Evans meets the requirements of BSEN 1176 (general safety and test methods). Spares can be supplied via equipment distributor

Log Climber Low



FFH = 1.5m

Area = 22.20m



Statement of Compliance: AE Evans Ltd. manufacturers of children's playground equipment follow the codes and practices outlined in the British and European Standards. By doing this, all equipment for play areas manufactured by AE Evans meets the requirements of BSEN 1176 (general safety and test methods). Spares can be supplied via equipment distributor.

Log Climber Low

Bolt List - Page 4 of 4

Revision -
Saved Date 18 May 2020 15:28:25

Bolt List

Timber Legs T3559 (2) T3765 (2) to Timber crossbar T3767

04 No. M12 x 240mm CSH Bolt

04 No. M12 x Nylock Nuts

04 No. M12 Washers

04 No. 33mm Black Inserts

Timber Leg T3559 to Timber Leg T3765

02 No. M12 x 240mm CSH Bolt

02 No. M12 Nylock Nuts

02 No. M12 Washers

02 No. 33mm Black Inserts

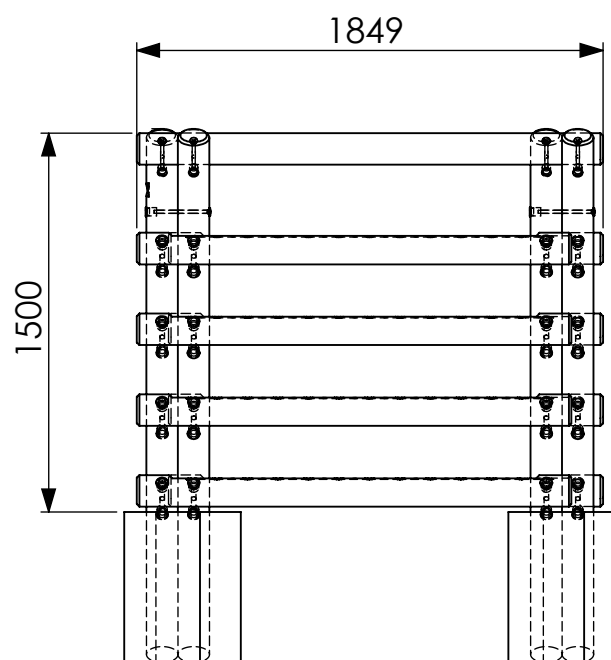
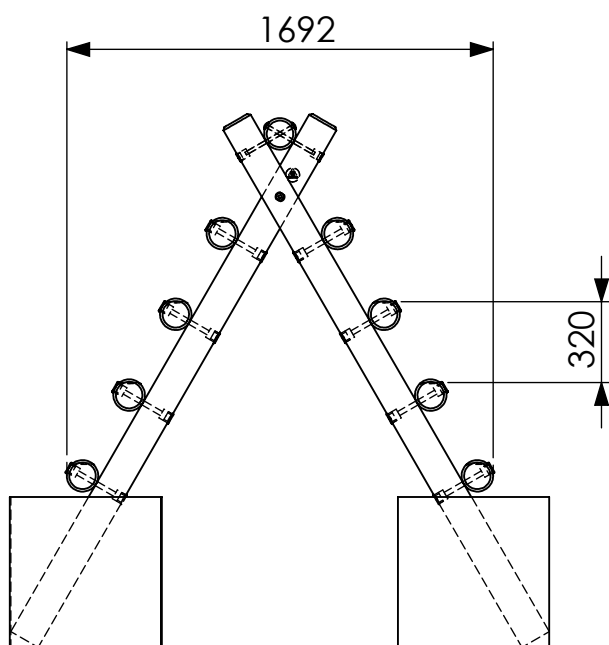
Timber Stepping Logs T5707 to Timber Legs T3559 and T3765

16 No. M16 x 190mm Hex Bolts

32 No. M16 Washers

16 No. M16 Nylock Nuts

32 No. 40mm Black Inserts



Statement of Compliance: AE Evans Ltd. manufacturers of children's playground equipment follow the codes and practices outlined in the British and European Standards. By doing this, all equipment for play areas manufactured by AE Evans meets the requirements of BSEN 1176 (general safety and test methods). Spares can be supplied via equipment distributor.