

Wheels

FZ10



14+



2



2hrs



N/A



0



4.1mx3.709m



The Wheels station is a fantastic inclusive fitness feature that allows users of all abilities to improve upper body strength, coordination and mobility. Suitable for both standing and wheelchair users, it encourages gentle exercise and rehabilitation while promoting accessibility and social interaction. Its inclusive design helps create a welcoming playground environment where everyone can take part in physical activity and enjoy the benefits of outdoor fitness.

Key



Age Range



Number Of Users



Assembly Time



Free Fall Height



Impact Area



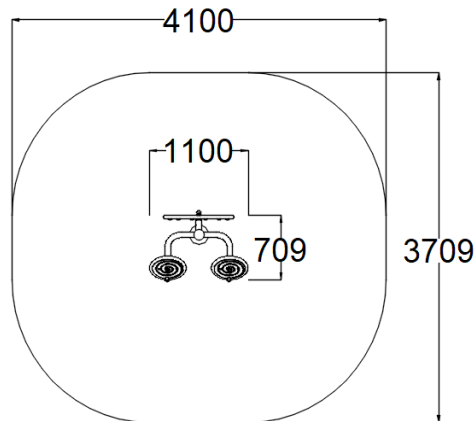
Wheelchair Accessible



Space Needed



For All Users



Specification

Age Range:	14+ Years
Safety Area Width (mm):	3709
Safety Area Length (mm):	4100
Safety Area (m ²):	0
Free Fall Height (mm):	N/A
Assembly Time:	2 hrs
People For Installation:	2



✓ All Play & Leisure's product range is fully compliant with BS EN 1176

Inclusive Information



Outdoor fitness equipment is a valuable addition to a playground, providing adults with opportunities to exercise while children play. It encourages physical activity, supports health and wellbeing, and helps create a more inclusive space that can be enjoyed by all ages. By giving parents, carers and other visitors something active to do, fitness equipment promotes longer visits, social interaction and greater community use of the area, transforming the playground into a destination for the whole family.

Guaranteed for product lifetime
against structural failure



Guaranteed for 5 years

Guaranteed for 5 years



Guaranteed for 8 years

Guaranteed for 10 years



Guaranteed for 2 years

Guaranteed for 2 years



Guaranteed for 1 year

Play Panels + HDPE Products



For consumable parts:
- Beaters
- Cables



For electronic failure caused by manufacturing defects in:
- Speakers
- Sound chips
- Circuit boards



For mechanical failure caused by faulty workmanship or material defects in:
- Moving parts
- Standing and heavy duty springs



For defects resulting from the manufacture of:
- High density polyethylene sheets
- Structural steel components