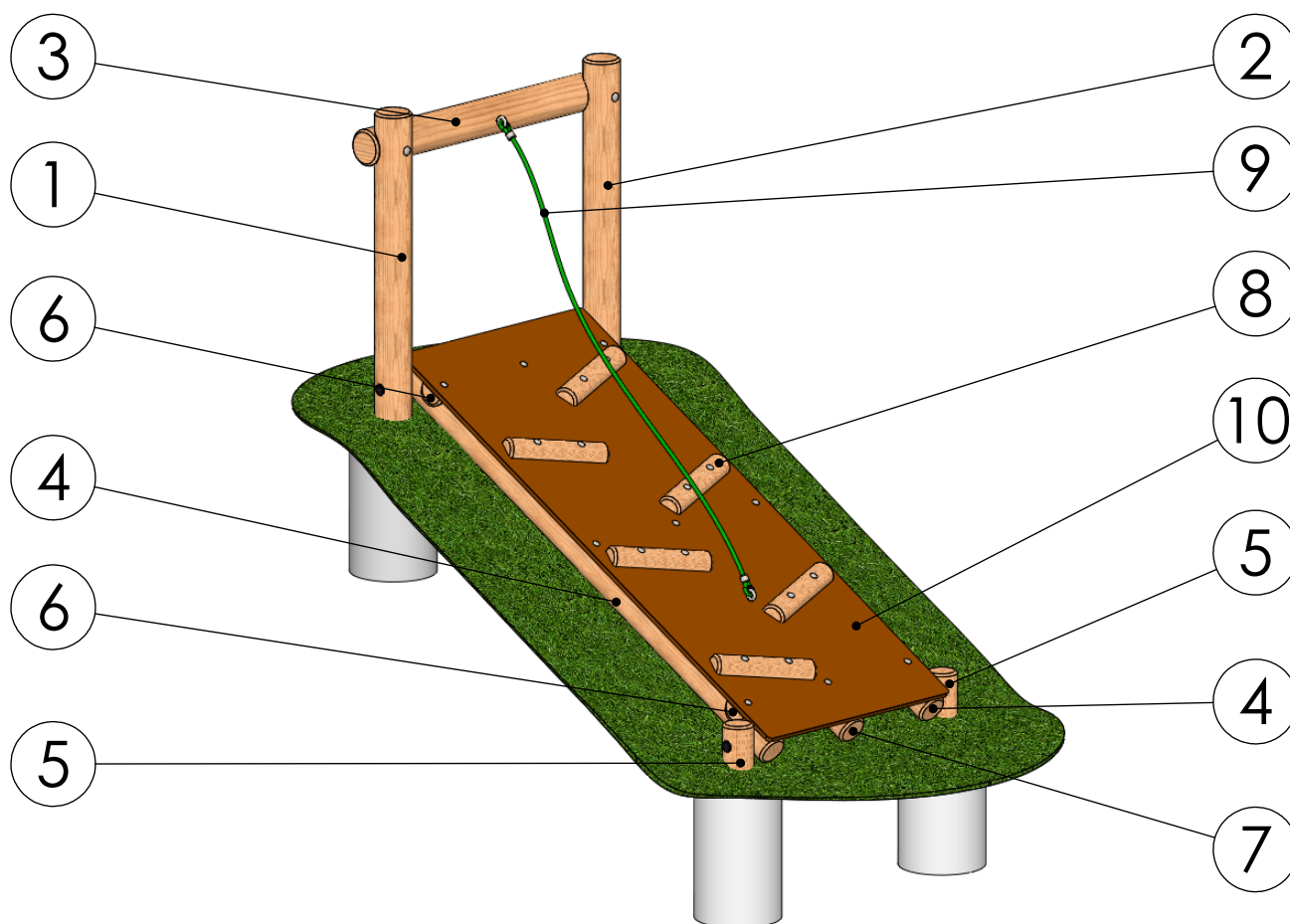


# Embankment Ramp 1.2m

General Information - Page 1 of 2

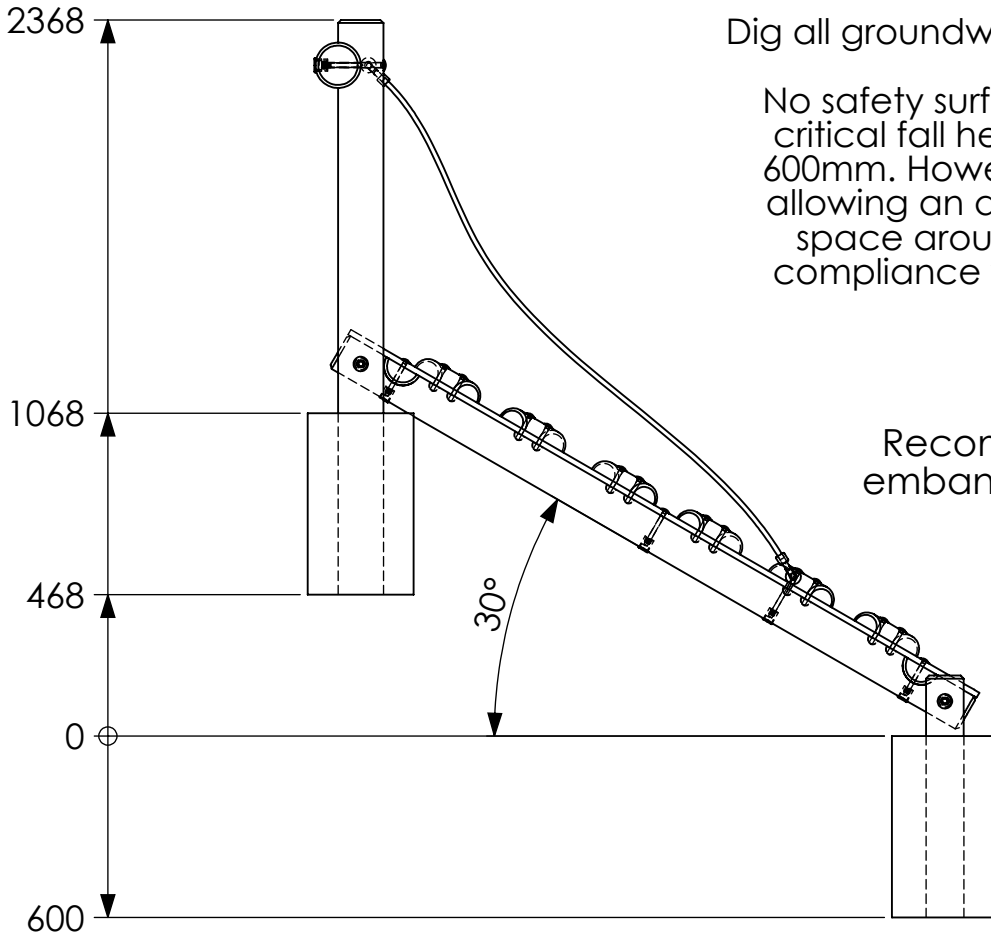
Revision - 0  
Saved Date 11 May 2017 09:53:34



ITEM NO.	PART NUMBER	DESCRIPTION	QTY.
1	T2659	Timber 150mm dia. cut at 1900mm SC	1
2	T2660	Timber 150mm dia. cut at 1900mm SC	1
3	T2661	Timber 150mm dia. cut at 1350mm DC	1
4	T2662	Timber 125mm dia. cut at 2400mm DC	2
5	T2663	Timber 125mm dia. cut at 800mm SC	2
6	T2664	Timber 125mm dia. cut at 1025mm SC	2
7	T2665	Timber 125mm dia. cut at 2400mm DC	1
8	T2666	Timber 100mm dia HR. cut at 450mm DC	6
9	B0145	2.4m Rope with Eyebolts	1
10	Embankment Ramp Garuda	Garuda 2400 x 1020mm	1



# Embankment Ramp 1.2m



Dig all groundworks 600mm deep

No safety surface required as critical fall height is less than 600mm. However we suggest allowing an appropriate free space around the item in compliance with BS EN1176.

Recommended angle for embankment is 30 degrees.

