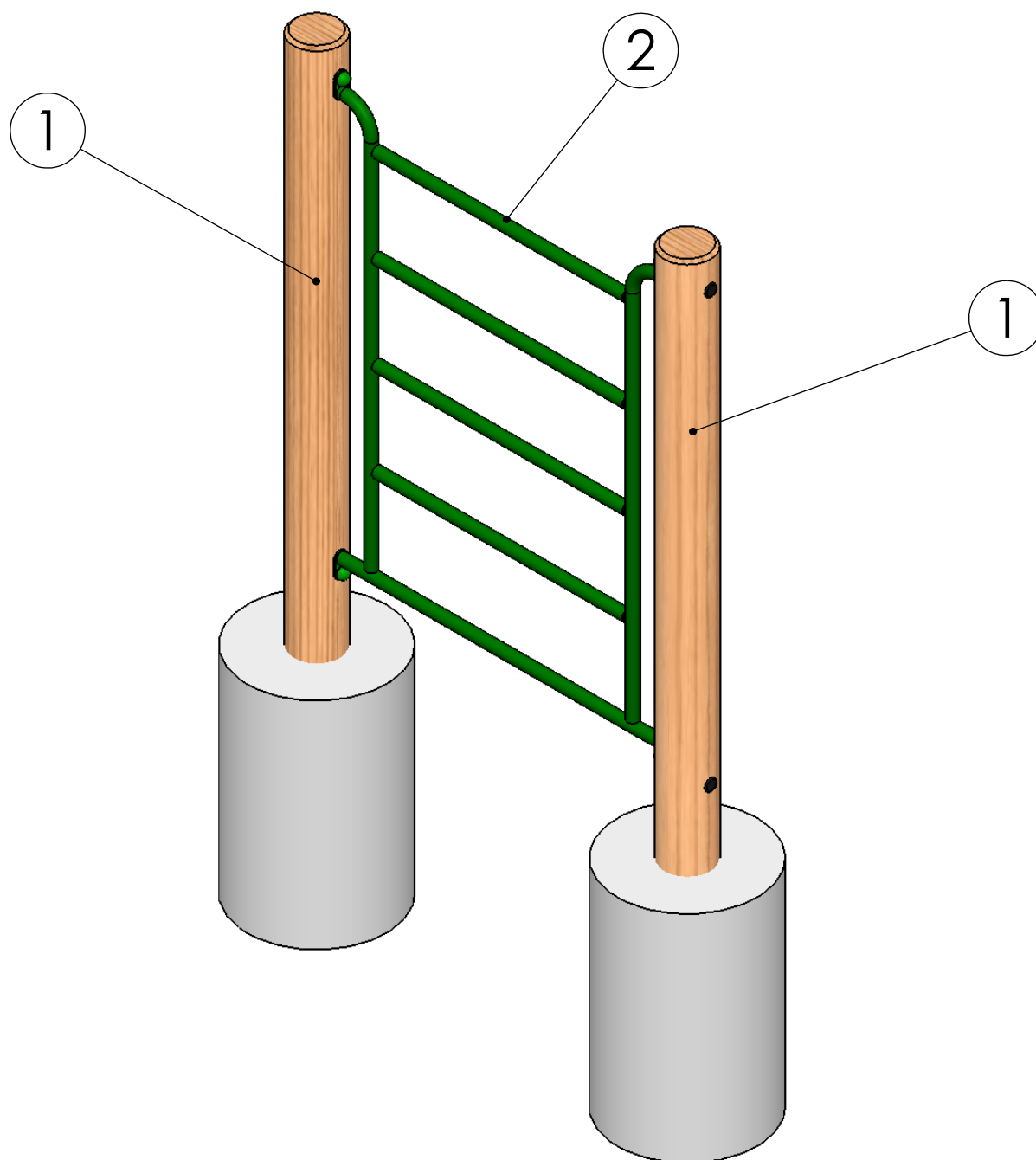


Climb Ladder

General Information - Page 1 of 3

Revision - 0
Saved Date 28 March 2017 15:01:27



ITEM NO.	PART NUMBER	DESCRIPTION	QTY.
1	T1855	Timber 150mm dia. cut at 2430mm SC	2
2	M0716	Climb Ladder Ladder	1



Statement of Compliance: AE Evans Ltd. manufacturers of children's playground equipment follow the codes and practices outlined in the British and European Standards. By doing this, all equipment for play areas manufactured by AE Evans meets the requirements of BSEN 1176 (general safety and test methods). Spares can be supplied via equipment distributor.

Climb Ladder

Bolt List

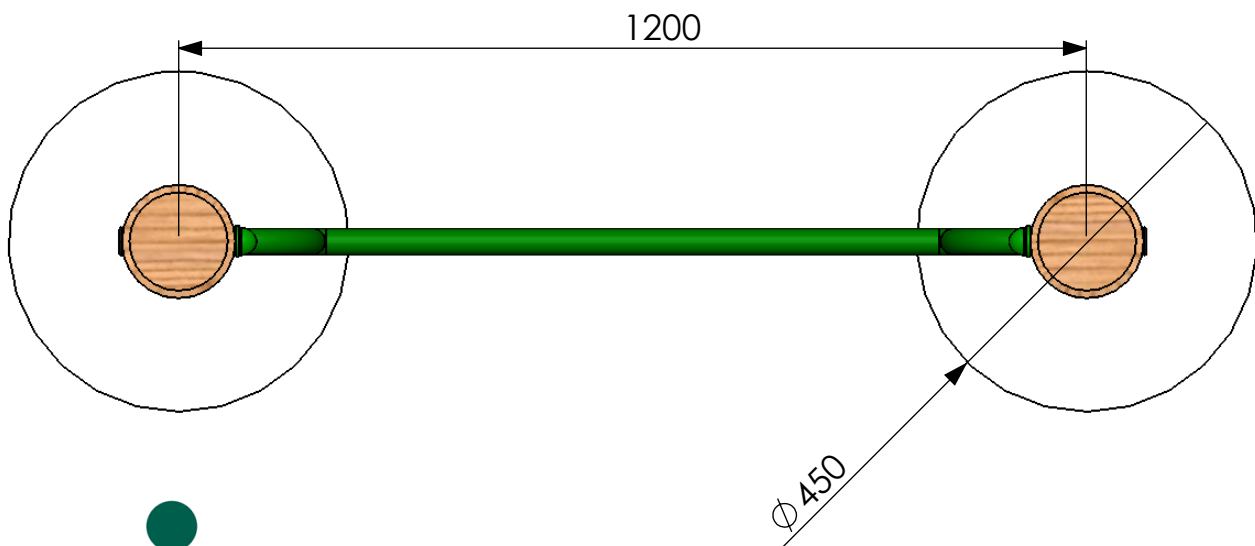
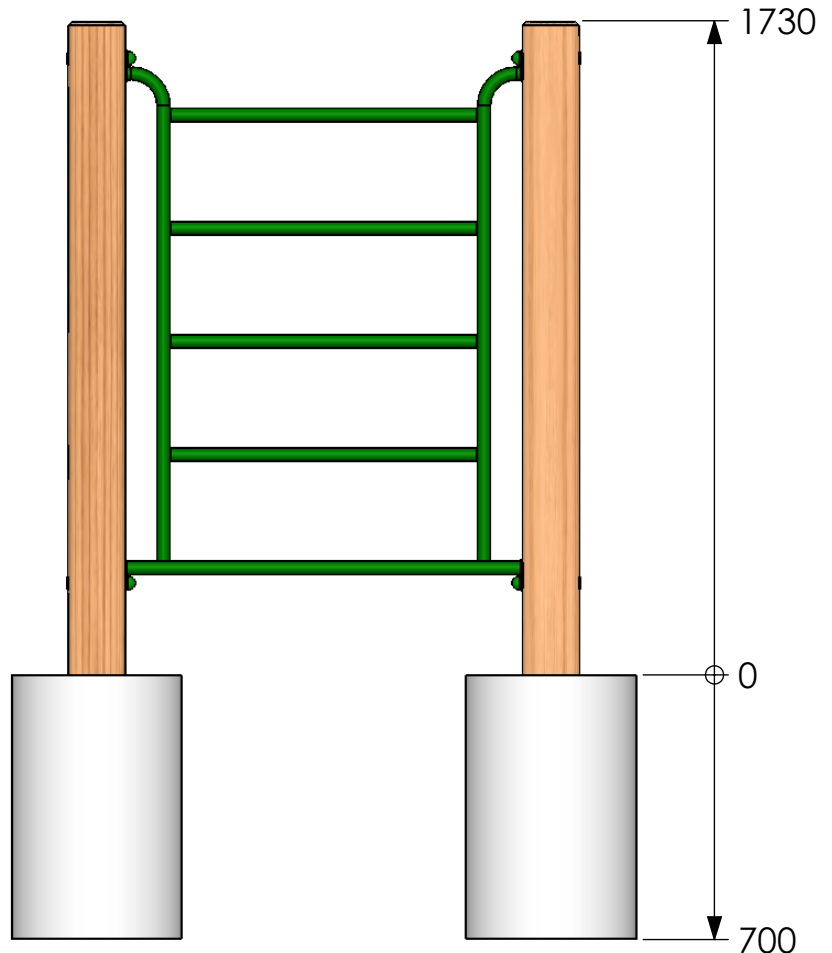
- 04 No M12 x 150mm Hex Bolts
- 08 No M12 Washers
- 04 No M12 Nylock Nuts
- 04 No 33mm Black Inserts
- 04 No Green 2 Part Bolt Covers

Please note additional fixings have been included therefore you may have left overs

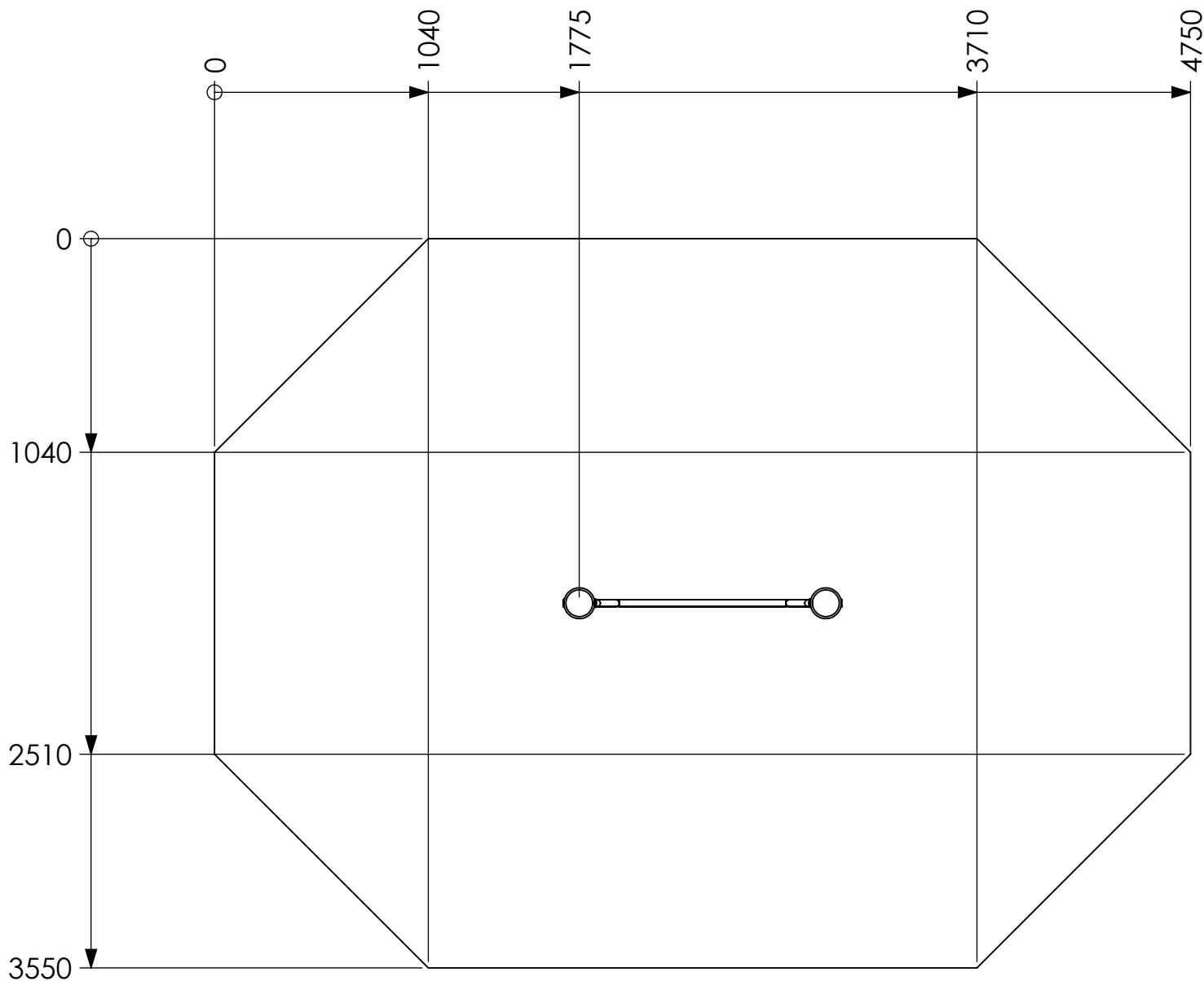
Dig groundworks 600mm deep

FFH: 1.73m

Safety Surface is required,
please see page 3



Climb Ladder



FFH: 1.73m
Surface Area required: 14.7m²

