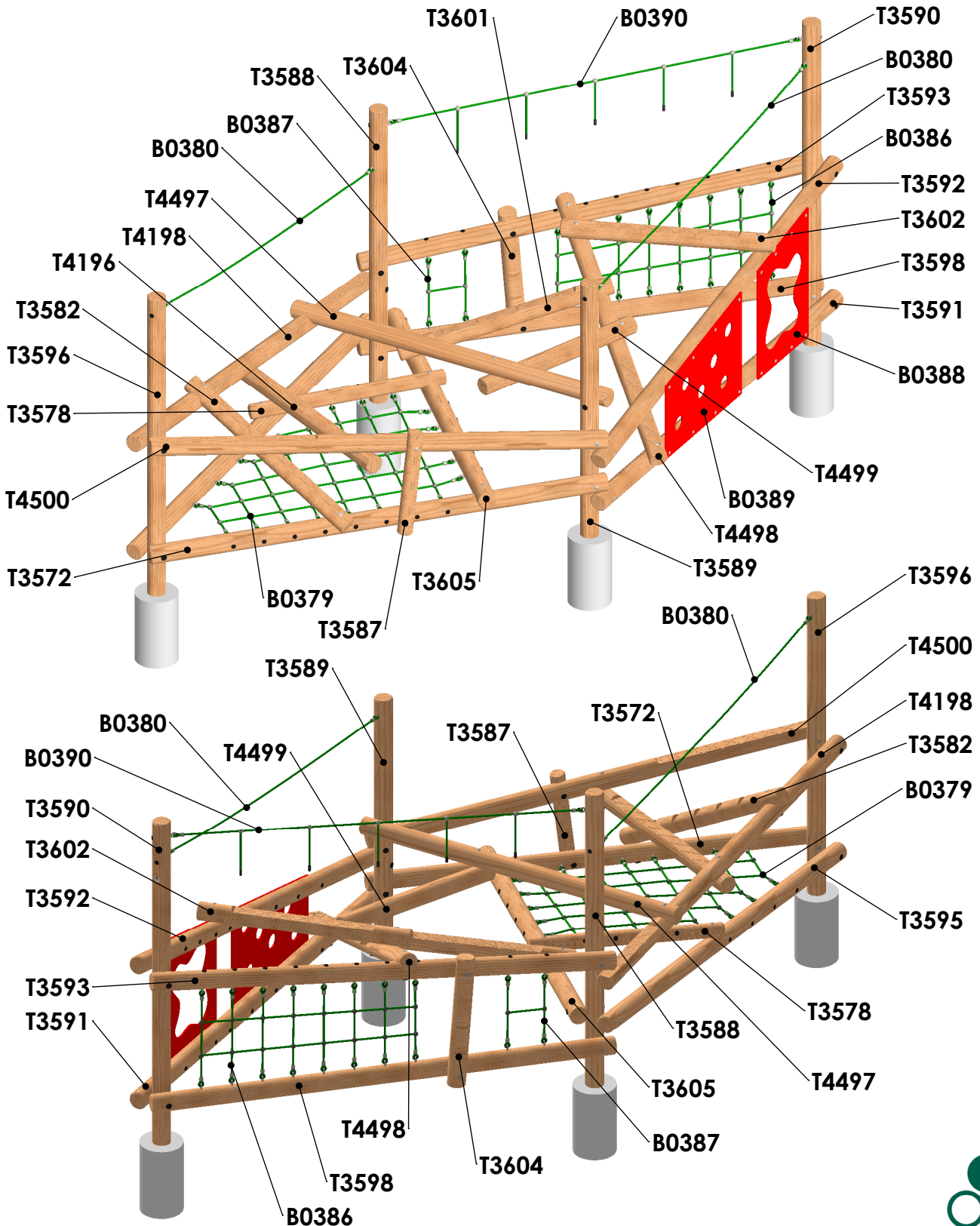


# Clamber Stack 4.

## Important Note

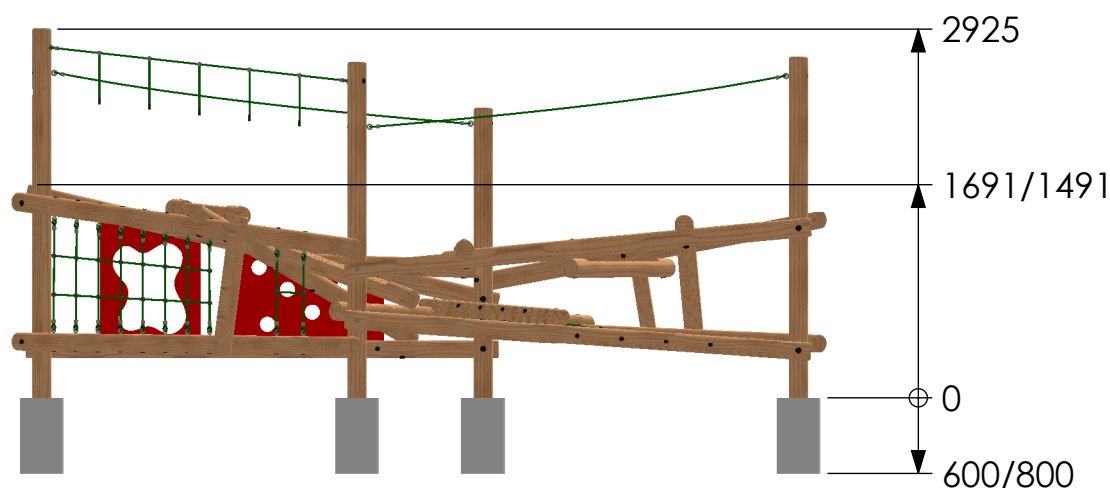
Please read the instructions carefully as the unit can be installed to have a free fall height of either 1500mm or 1700mm depending on the depth of the groundworks



# Clamber Stack 4.

ITEM NO.	PART NUMBER	DESCRIPTION	QTY.
1	T3572	Timber 150mm dia. cut at 3737mm DC	1
2	T3578	Timber 125mm dia. cut at 1597mm DC	1
3	T3582	Timber 150mm dia. cut at 1711mm DC	1
4	T3587	Timber 125mm dia. cut at 869mm DC	1
5	T3588	Timber 150mm dia. cut at 3260mm SC	1
6	T3589	Timber 150mm dia. cut at 2900mm SC	1
7	T3590	Timber 150mm dia. cut at 3525mm SC	1
8	T3591	Timber 150mm dia. cut at 3750mm DC	1
9	T3592	Timber 150mm dia. cut at 3842mm DC	1
10	T3593	Timber 150mm dia. cut at 3803mm DC	1
11	T3595	Timber 150mm dia. cut at 3709mm DC	1
12	T3596	Timber 150mm dia. cut at 3300mm SC	1
13	T3598	Timber 150mm dia. cut at 3786mm DC	1
14	T3601	Timber 150mm dia. cut at 1776mm DC	1
15	T3602	Timber 150mm dia. cut at 1721mm DC	1
16	T3604	Timber 150mm dia. cut at 1106mm DC	1
17	T3605	Timber 150mm dia. cut at 2855mm DC	1
18	T4196	Timber 150mm dia. cut at 1819mm DC	1
19	T4198	Timber 150mm dia. cut at 3715mm DC	1
20	T4497	Timber 150mm dia. cut at 2875mm DC	1
21	T4498	Timber 150mm dia. cut at 2722mm DC	1
22	T4499	Timber 150mm dia. cut at 1505mm DC	1
23	T4500	Timber 150mm dia. cut at 3766mm DC	1
24	B0379.	Clamber Stack Base Net	1
25	B0380.	3.377m Rope Walk	2
26	B0386..	Clamber Stack 4 side net	1
27	B0387..	Clamber Stack 4 Ladder	1
28	B0388	Clamber Stack 4 Crawl Through Panel	1
29	B0389	Clamber Stack Traverse Panel	1
30	B0390	Clamber Stack Drop Rope	1

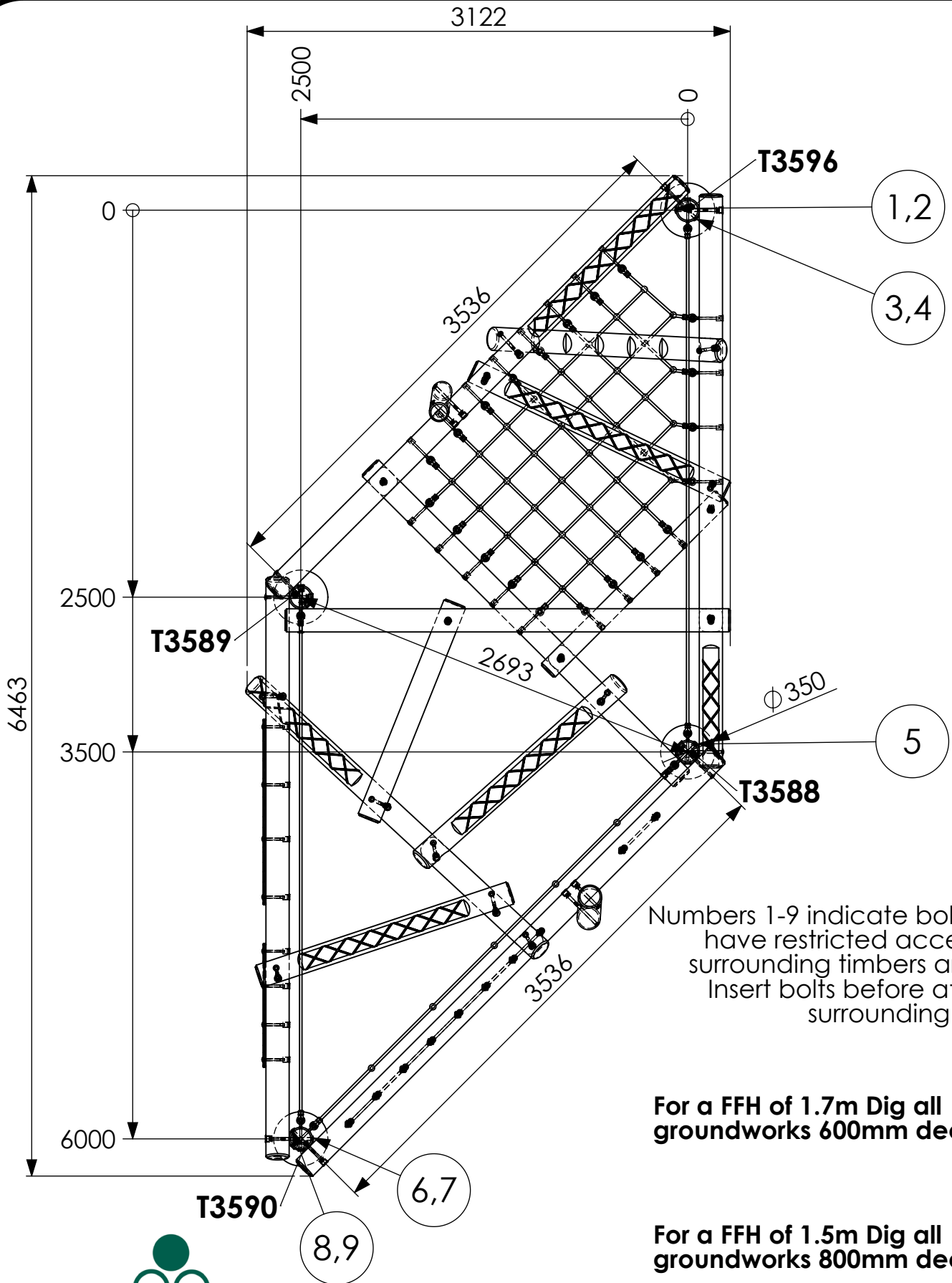
Can be installed  
with either 1.5m or  
1.7m FFH.



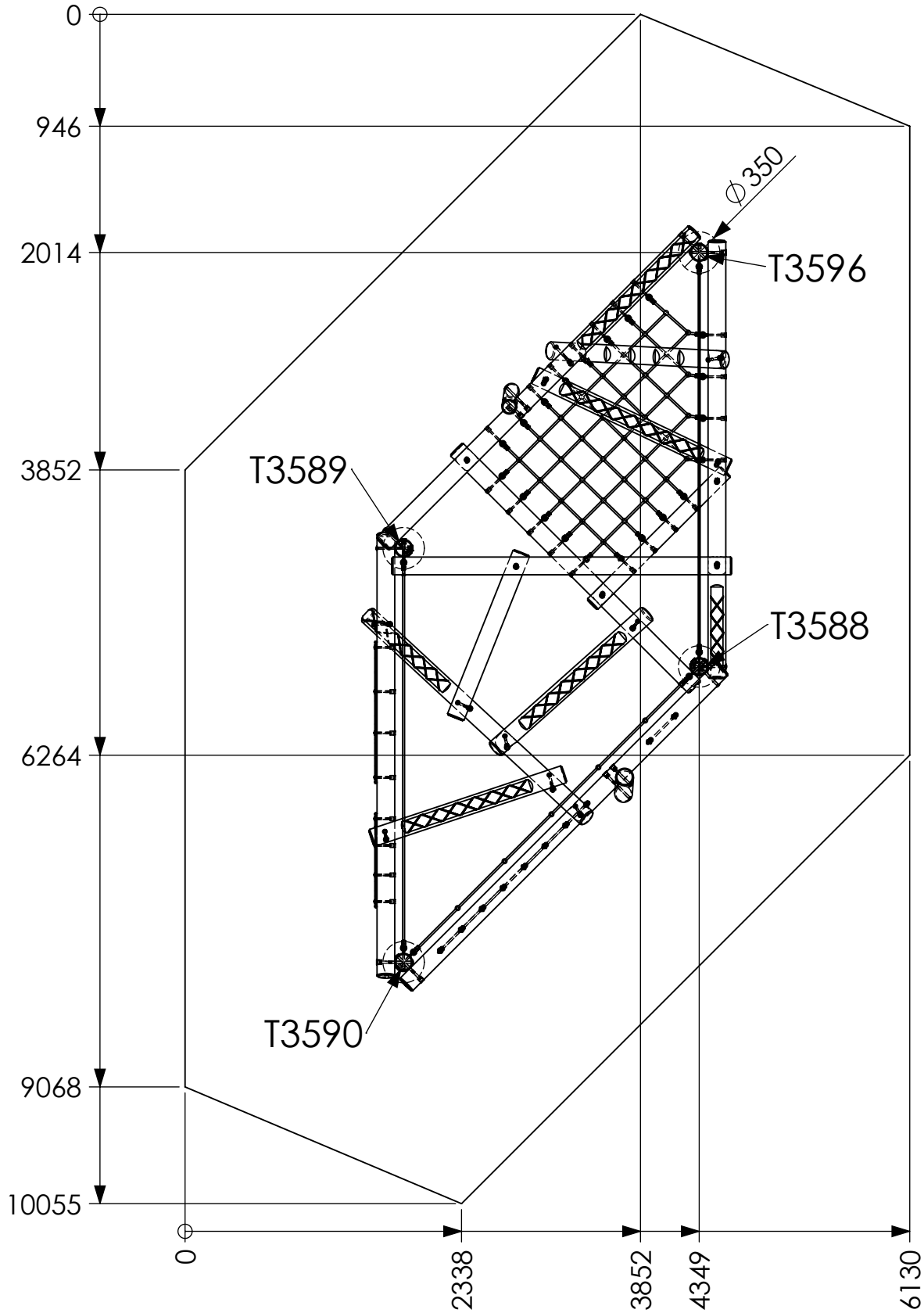
**ae evans**

Statement of Compliance: AE Evans Ltd. manufacturers of children's playground equipment follow the codes and practices outlined in the British and European Standards. By doing this, all equipment for play areas manufactured by AE Evans meets the requirements of BSEN 1176 (general safety and test methods). Spares can be supplied via equipment distributor

# Clamber Stack 4.



# Clamber Stack 4.

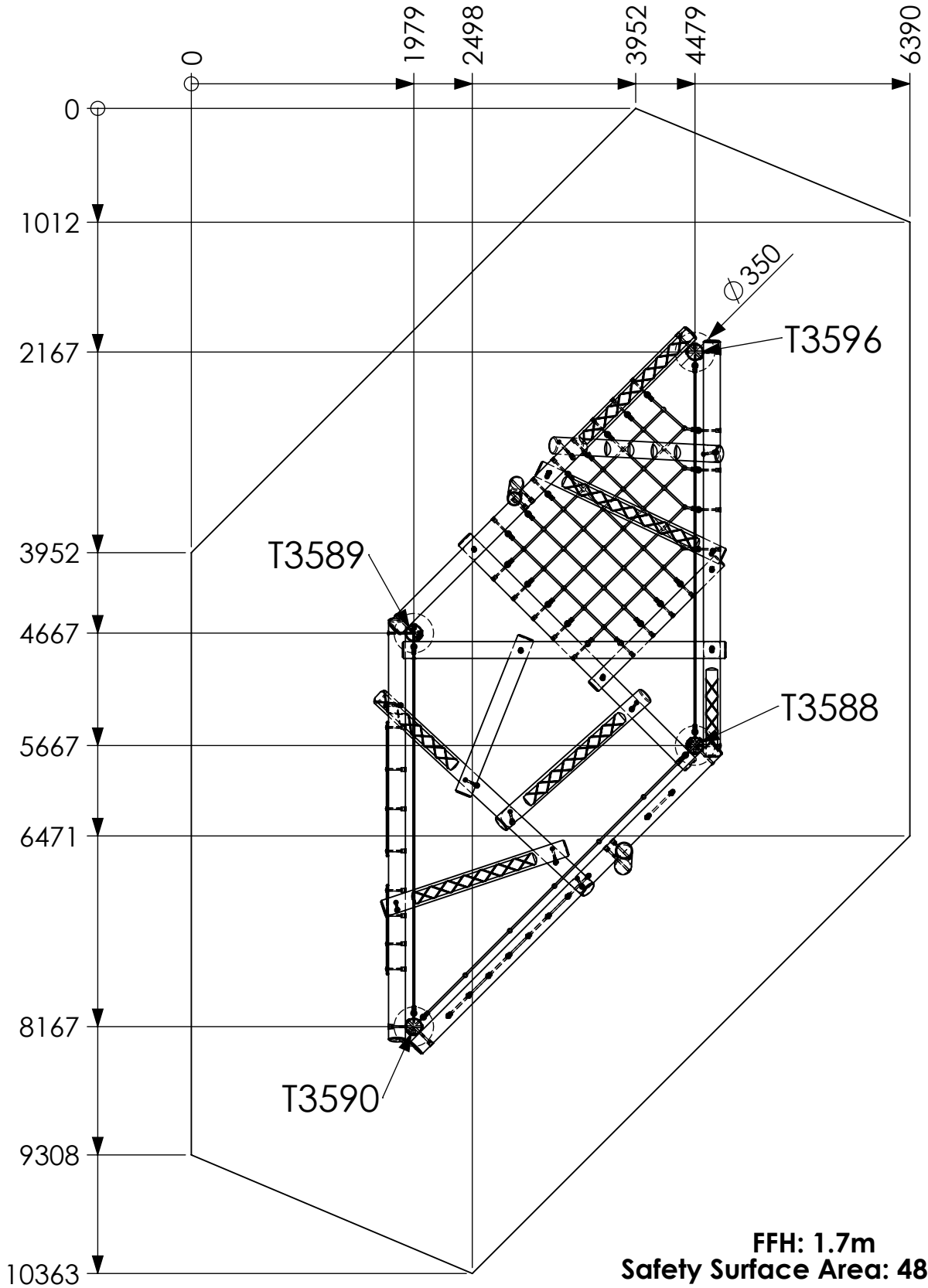


**FFH: 1.5m**  
**Safety Surface Area: 44.8m<sup>2</sup>**

Statement of Compliance: AE Evans Ltd. manufacturers of children's playground equipment follow the codes and practices outlined in the British and European Standards. By doing this, all equipment for play areas manufactured by AE Evans meets the requirements of BSEN 1176 (general safety and test methods). Spares can be supplied via equipment distributor.



# Clamber Stack 4.



# Clamber Stack 4.

## Suggested Order of Assembly;

1. Dig holes and insert legs T3588, T3589, T3590 and T3596.
2. Access to the bolts can be limited so insert the cup square bolts into T3588, T3589, T3590 and T3596 before attaching the cross supports.
3. Don't tighten bolts until the frame is fully assembled.
4. Attach T3572 to T3596 and T3589 (2 no M16 x 280mm CSH)
5. Attach T4500 to T3596 and T3589 (2 no M16 x 280mm CSH)
6. Attach T3595 to T3596 and T3588 (2 no M16 x 280mm CSH)
7. Attach T4198 to T3596 and T3588 (2 no M16 x 280mm CSH)
8. Attach T3605 to T3572 and T3588 (1 no M16 x 280mm CSH, 1 no M16 x 200mm CSH)
9. Attach T4497 to T4198 and T3589 (1 no M16 x 280mm CSH, 1 no M16 x 200mm CSH)
10. Attach T3598 to T3588 and T3590 (2 no M16 x 280mm CSH)
11. Attach T3593 to T3588 and T3590 (2 no M16 x 280mm CSH)
12. Attach T3591 to T3589 and T3590 (2 no M16 x 280mm CSH)
13. Attach T3592 to T3589 and T3590 (2 no M16 x 280mm CSH)
14. Attach T3599 to T3591 and T3593 (1 no M16 x 260mm CSH, 1 no M16 x 200mm CSH)

This should result in a free standing structure. The rest of the timbers can now be added in the following order;

15. T3587 (1 no M16 x 200mm CSH, 1 no M16 x 260mm CSH)
16. T3582 (1 no M16 x 200mm CSH, 1 no M16 x 280mm CSH)
17. T4196 (2 no M16 x 280mm CSH)
18. T3578 (1 no M16 x 200mm CSH, 1 no M16 x 260mm CSH)
19. T3601 (1 no M16 x 200mm CSH, 1 no M16 x 280mm CSH)
20. T3604 (1 no M16 x 200mm CSH, 1 no M16 x 280mm CSH)
21. T4499 (2 no M16 x 280mm CSH)
22. T3602 (2 no M16 x 280mm CSH)
23. B0388 (Plastic Panel) to T3591+T3592 (8 no M12 x 140mm CSH)
24. B0389 (Plastic Panel) to T3591+T3592 (8 no M12 x 140mm CSH)

The timbers should be loosely bolted in place to begin with. Once the structure is complete and positioned correctly, go around the structure and gradually tighten all bolts and insert black caps. When all slack has been taken out and all the bolts are tight, the unit can be concreted in place. Nets, ropes and ladders can be fitted as soon as the concrete has fully gone off.



# Clamber Stack 4.

Bolt List - Page 7 of 7

Revision -  
Saved Date

## Bolt List

### Leg T3596 to T4500, T3572, T3595 & T4198 Fixings

04 No M16 x 280mm CSH Bolt  
04 No M16 Washers  
04 No M16 Nylock Nuts  
04 No 40mm Black Inserts

### Leg T3589 to T3572, T4500, T3591, T4497 & T3592 Fixings

05 No M16 x 280mm CSH Bolt  
05 No M16 Washers  
05 No M16 Nylock Nuts  
05 No 40mm Black Inserts

### Leg T3588 to T3595, T4198, T3598, T3593 & T3605 Fixings

05 No M16 x 280mm CSH Bolt  
05 No M16 Washers  
05 No M16 Nylock Nuts  
05 No 40mm Black Inserts

### Leg T3590 to T3591, T3592, T3598 & T3593 Fixings

04 No M16 x 280mm CSH Bolt  
04 No M16 Washers  
04 No M16 Nylock Nuts  
04 No 40mm Black Inserts

### T4497 to T4198 Fixings

01 No M16 x 200mm CSH Bolt  
01 No M16 Washers  
01 No M16 Nylock Nuts  
01 No 40mm Black Inserts

### T3605 to T3572 Fixings

01 No M16 x 200mm CSH Bolt  
01 No M16 Washers  
01 No M16 Nylock Nuts  
01 No 40mm Black Inserts

### T3578 to T3595 and T3605 Fixings

01 No M16 x 200mm CSH Bolt  
01 No M16 x 260mm CSH Bolt  
02 No M16 Washers  
02 No M16 Nylock Nuts  
02 No 40mm Black Inserts

### T4498 to T3591 & T3593 Fixings

02 No M16 x 280mm CSH Bolt  
02 No M16 Washers  
02 No M16 Nylock Nuts  
02 No 40mm Black Inserts

### T3602 to T3592 & T4498 Fixings

02 No M16 x 280mm CSH Bolt  
02 No M16 Washers  
02 No M16 Nylock Nuts  
02 No 40mm Black Inserts

### T4499 to T4498 & T4497 Fixings

02 No M16 x 280mm CSH Bolt  
02 No M16 Washers  
02 No M16 Nylock Nuts  
02 No 40mm Black Inserts

### T3601 to T4498 & T3605 Fixings

02 No M16 x 280mm CSH Bolt  
02 No M16 Washers  
02 No M16 Nylock Nuts  
02 No 40mm Black Inserts

### T3604 to T3593 & T3598 Fixings

01 No M16 x 280mm CSH Bolt  
01 No M16 x 200mm CSH Bolt  
02 No M16 Washers  
02 No M16 Nylock Nuts  
02 No 40mm Black Inserts

### T3582 to T4198 & T3572 Fixings

02 No M16 x 280mm CSH Bolt  
02 No M16 Washers  
02 No M16 Nylock Nuts  
02 No 40mm Black Inserts

### T4196 to T4198 & T4500 Fixings

02 No M16 x 280mm CSH Bolt  
02 No M16 Washers  
02 No M16 Nylock Nuts  
02 No 40mm Black Inserts

### T3587 to T3572 & T3594 Fixings

01 No M16 x 260mm CSH Bolt  
01 No M16 x 200mm CSH Bolt  
02 No M16 Washers  
02 No M16 Nylock Nuts  
02 No 40mm Black Inserts

### Plastic Play Panel Fixings

16 No M12 x 150mm CSH Bolt  
16 No M12 Washers  
16 No M12 Nylock Nuts  
16 No 33mm Black Inserts

### Rope Fixings

50 No M12 Washers  
50 No M12 Nylock Nuts  
50 No 33mm Black Inserts

### Plus

01 No "B0388" Plastic  
"Clamber Stack 4 Crawl  
Through Panel"  
01 No "B0389" Plastic  
"Clamber Stack Traverse  
Panel"

01 No "B0379" Clamber Stack  
2 Base Net  
02 No "B0380" Clamber Stack  
Rope 3.377m  
01 No "B0386" Clamber Stack  
Side Net  
01 No "B0387" Clamber Stack  
Ladder  
01 No "B0390" Clamber Stack  
Drop Rope



**a e evans**

Statement of Compliance: AE Evans Ltd. manufacturers of children's playground equipment follow the codes and practices outlined in the British and European Standards. By doing this, all equipment for play areas manufactured by AE Evans meets the requirements of BSEN 1176 (general safety and test methods). Spares can be supplied via equipment distributor.