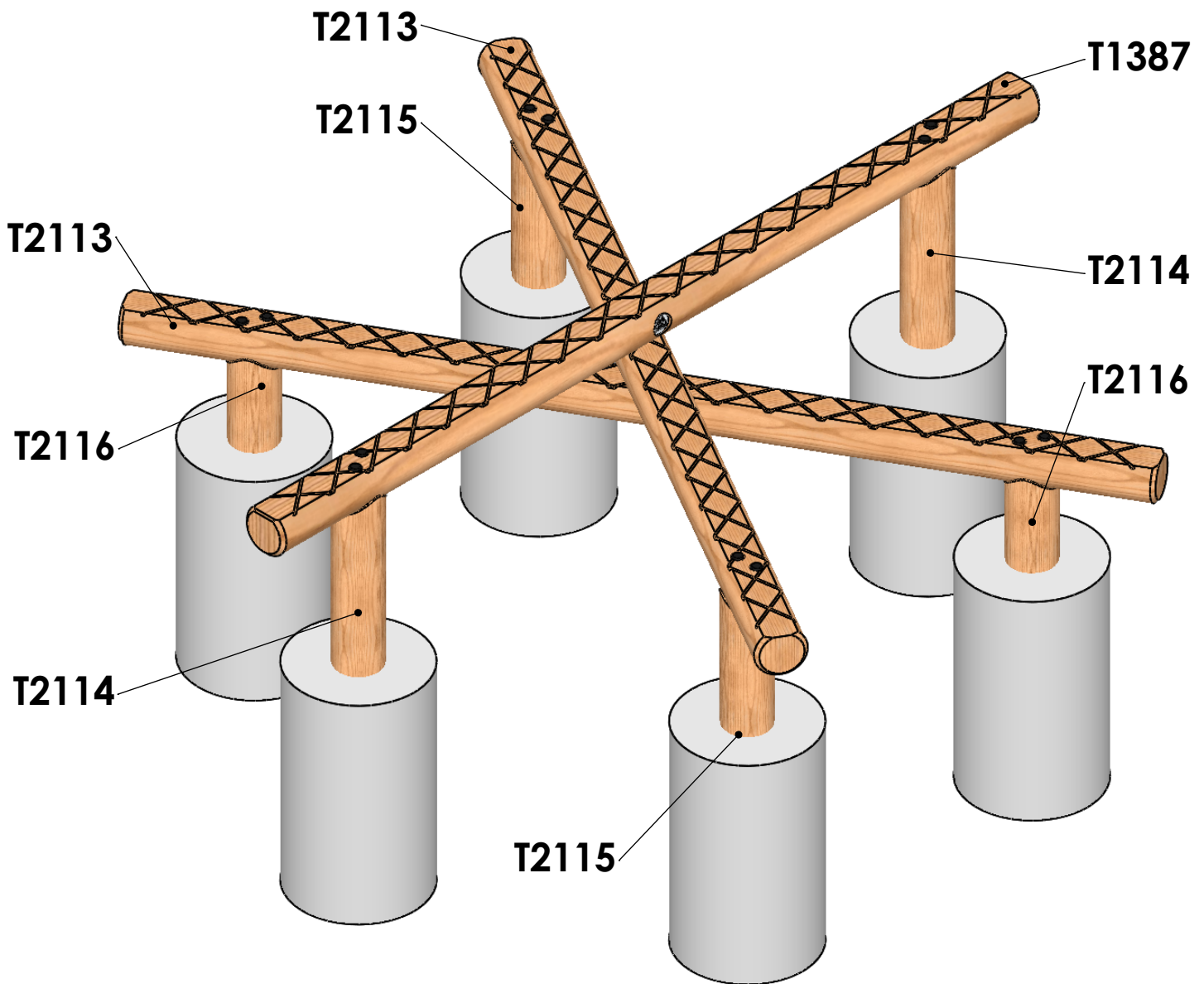


# Balance Junction

General Information - Page 1 of 2

Revision - 0  
Saved Date 22 November 2017 12:35:03



ITEM NO.	PART NUMBER	DESCRIPTION	QTY.
1	T1387	Timber 125mm dia. cut at 2400mm DC	1
2	T2113	Timber 125mm dia. cut at 2400mm DC	2
3	T2114	Timber 125mm dia cut at 1082mm TS	2
4	T2115	Timber 125mm dia cut at 968mm TS	2
5	T2116	Timber 125mm dia cut at 855mm TS	2

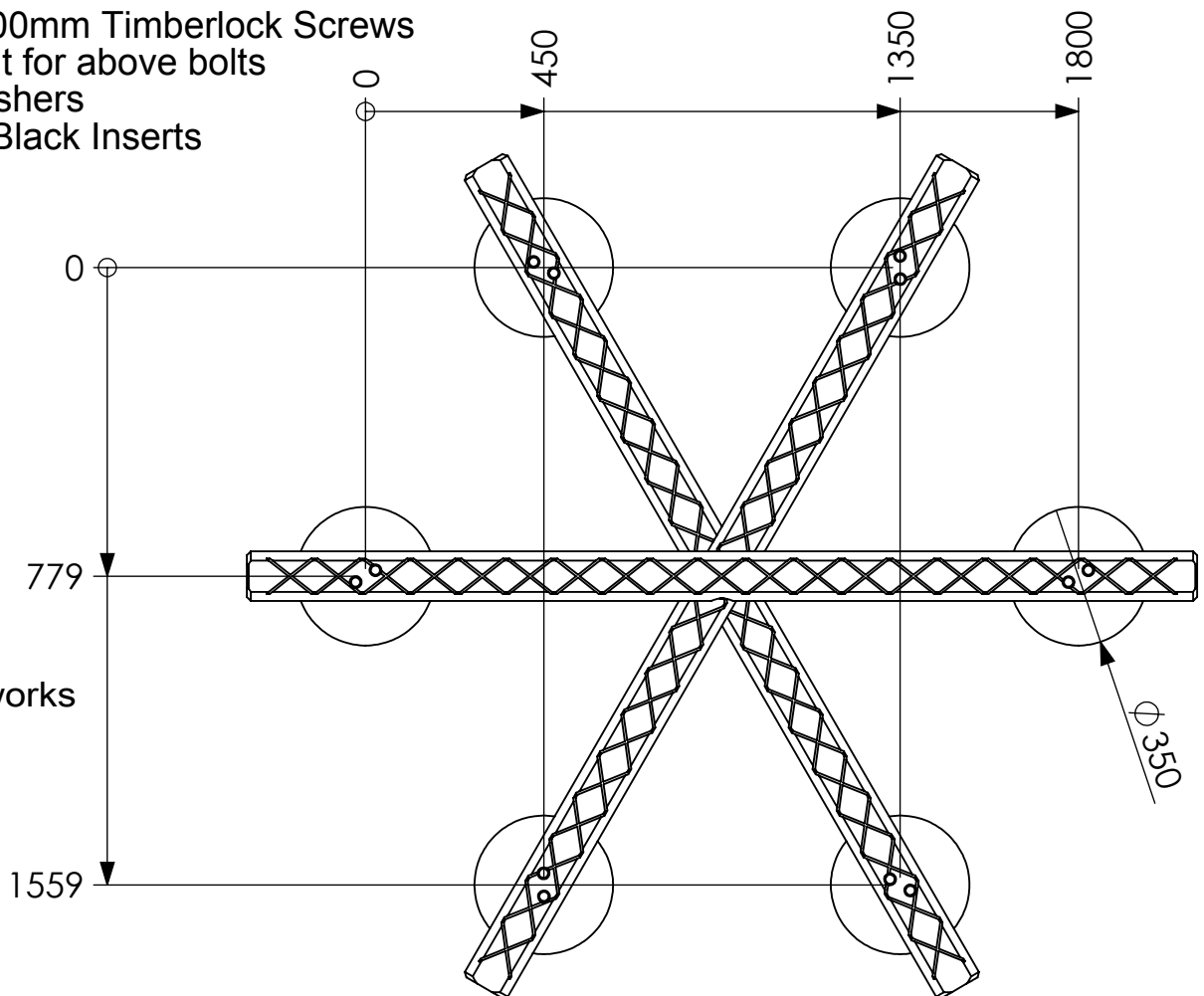
# Balance Junction

Excavation Detail - Page 2 of 2

Revision - 0  
Saved Date 22 November 2017 12:35:03

## Bolt List

- 12 No 6.5 x 200mm Timberlock Screws
- 01 No Drive bit for above bolts
- 12 No M8 Washers
- 12 No 25mm Black Inserts

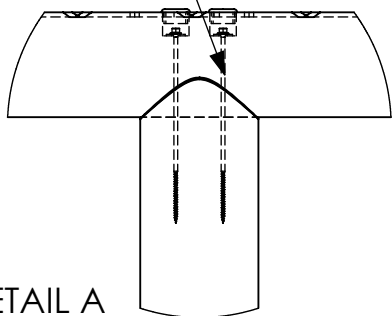


Dig all groundworks  
600mm deep

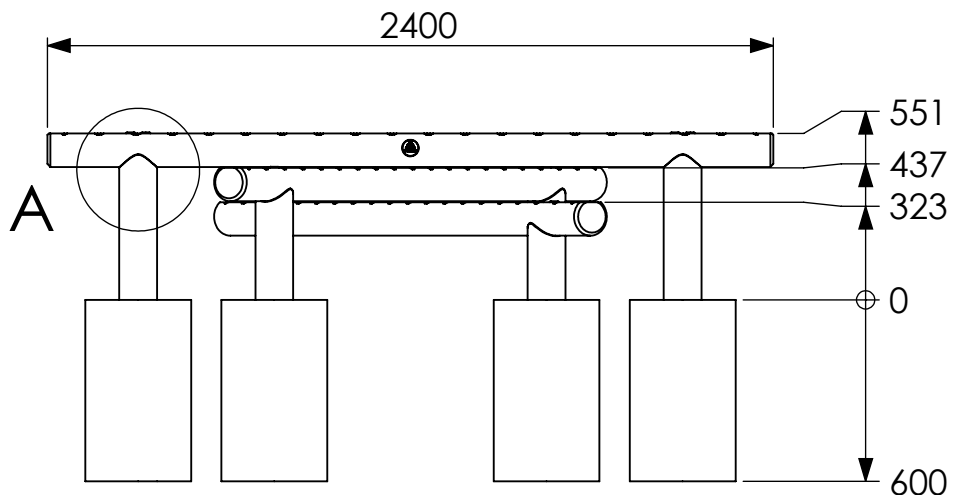
FFH = 0.551m

Screw through T1387/T2113 into  
T2114/5/6 using 200mm  
Timberlock Screws and cover  
with black caps

No safety surface required as critical fall height is  
less than 600mm. However we suggest allowing  
an appropriate free space around the item in  
compliance with BS EN1176.



DETAIL A  
SCALE 1 : 8



**ae evans**

Statement of Compliance: AE Evans Ltd. manufacturers of children's playground equipment follow the codes and practices outlined in the British and European Standards. By doing this, all equipment for play areas manufactured by AE Evans meets the requirements of BSEN 1176 (general safety and test methods). Spares can be supplied via equipment distributor.