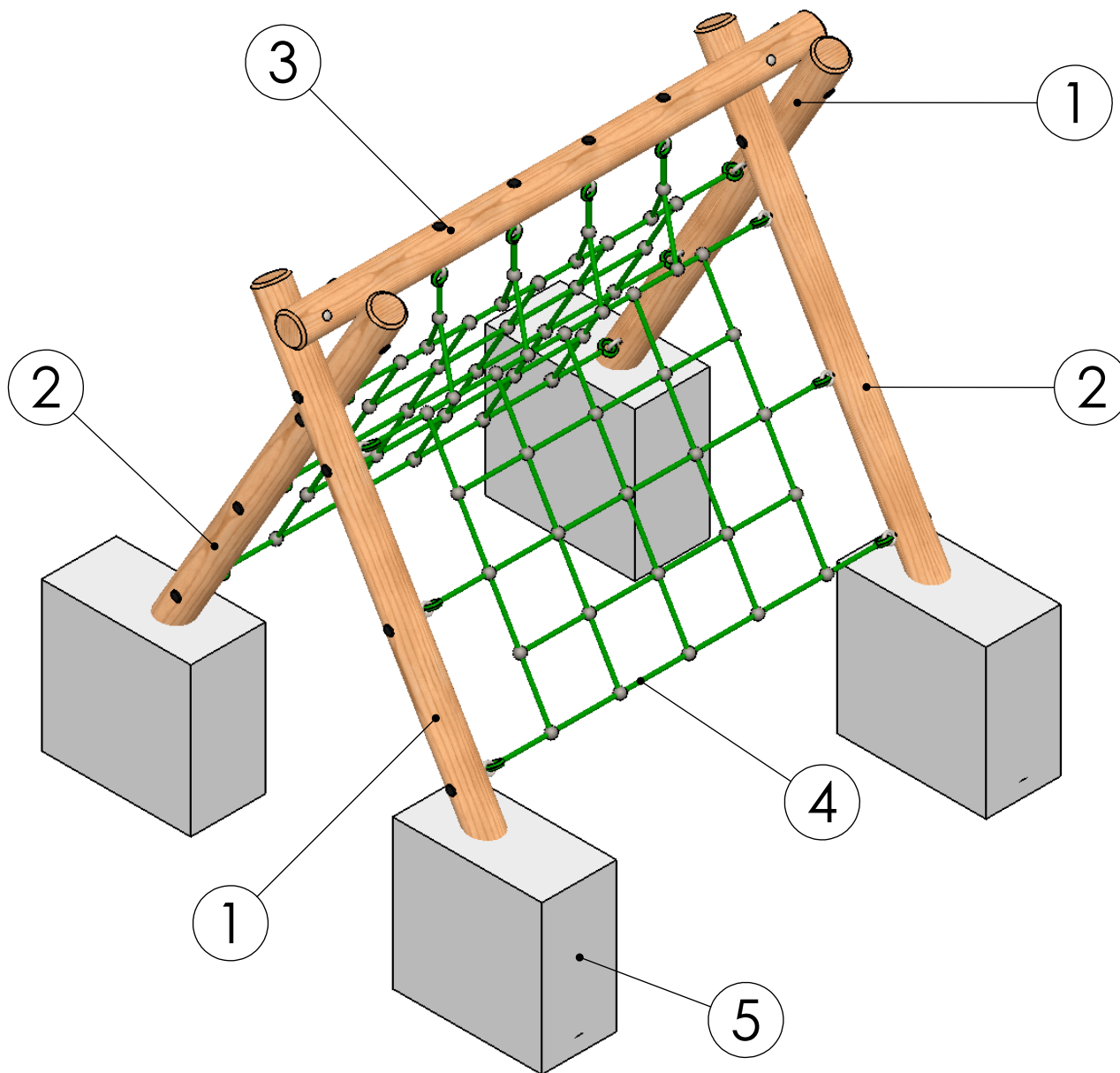


A-Frame Low with Nets.

General Information - Page 1 of 4

Revision - 0
Saved Date 15 June 2015 11:44:49



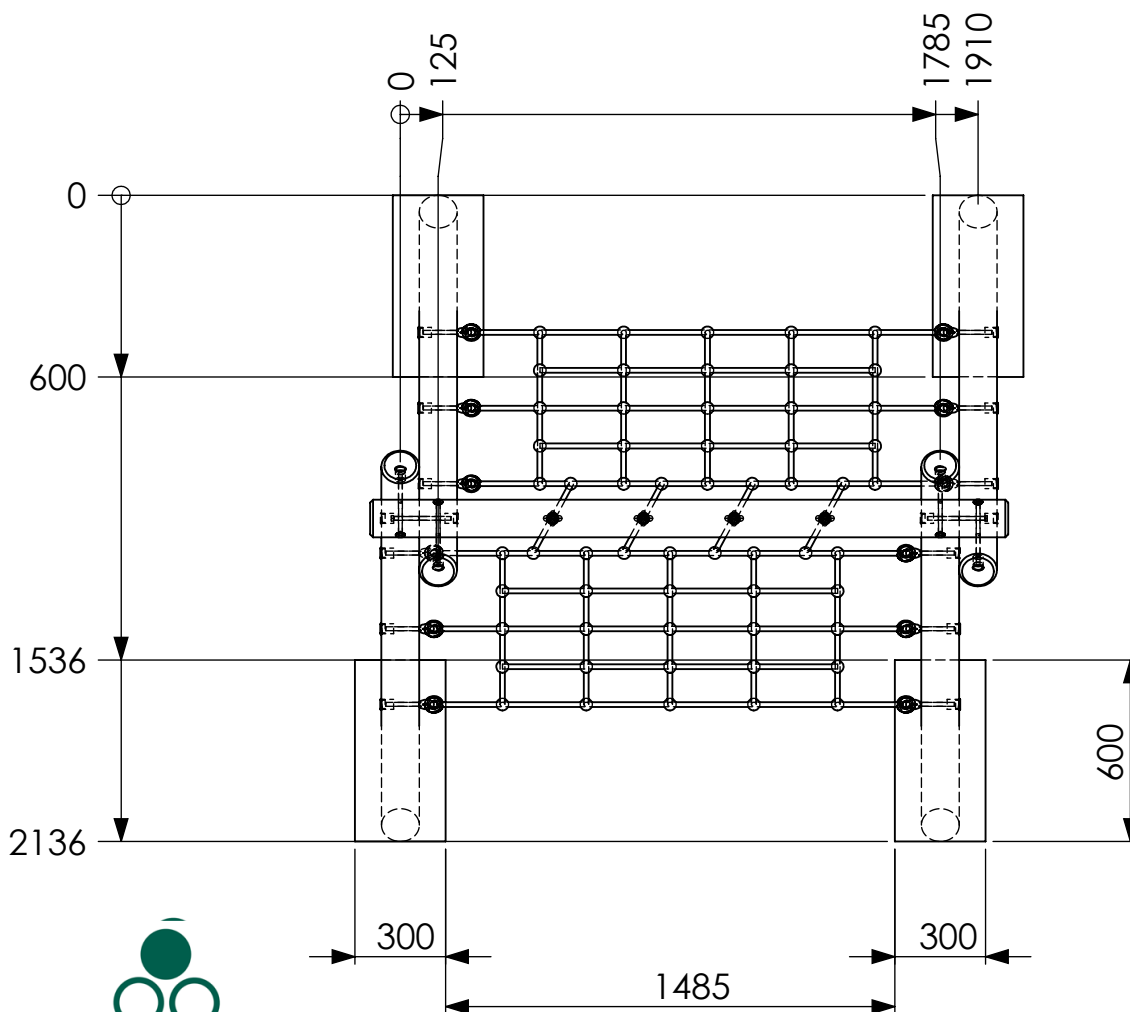
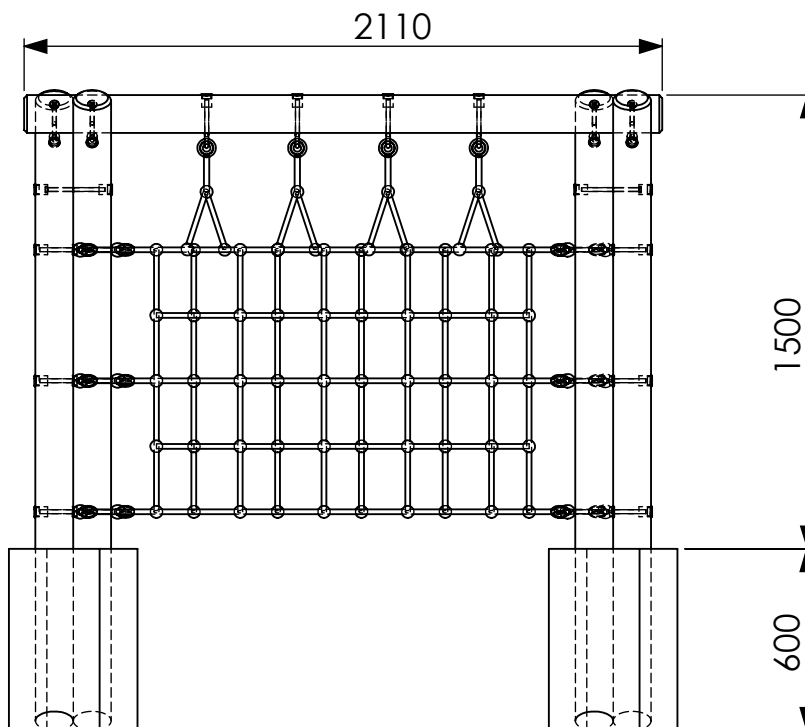
ITEM NO.	PART NUMBER	DESCRIPTION	QTY.
1	T2719	Timber 125mm dia. cut at 2378mm DC	2
2	T2720	Timber 125mm dia. cut at 2378mm DC	2
3	T3558	Timber 125mm dia. cut at 2110mm DC	1
4	B0489	A-Frame Low Double Net	1
5	A-Frame Low with Nets Groundworks		1



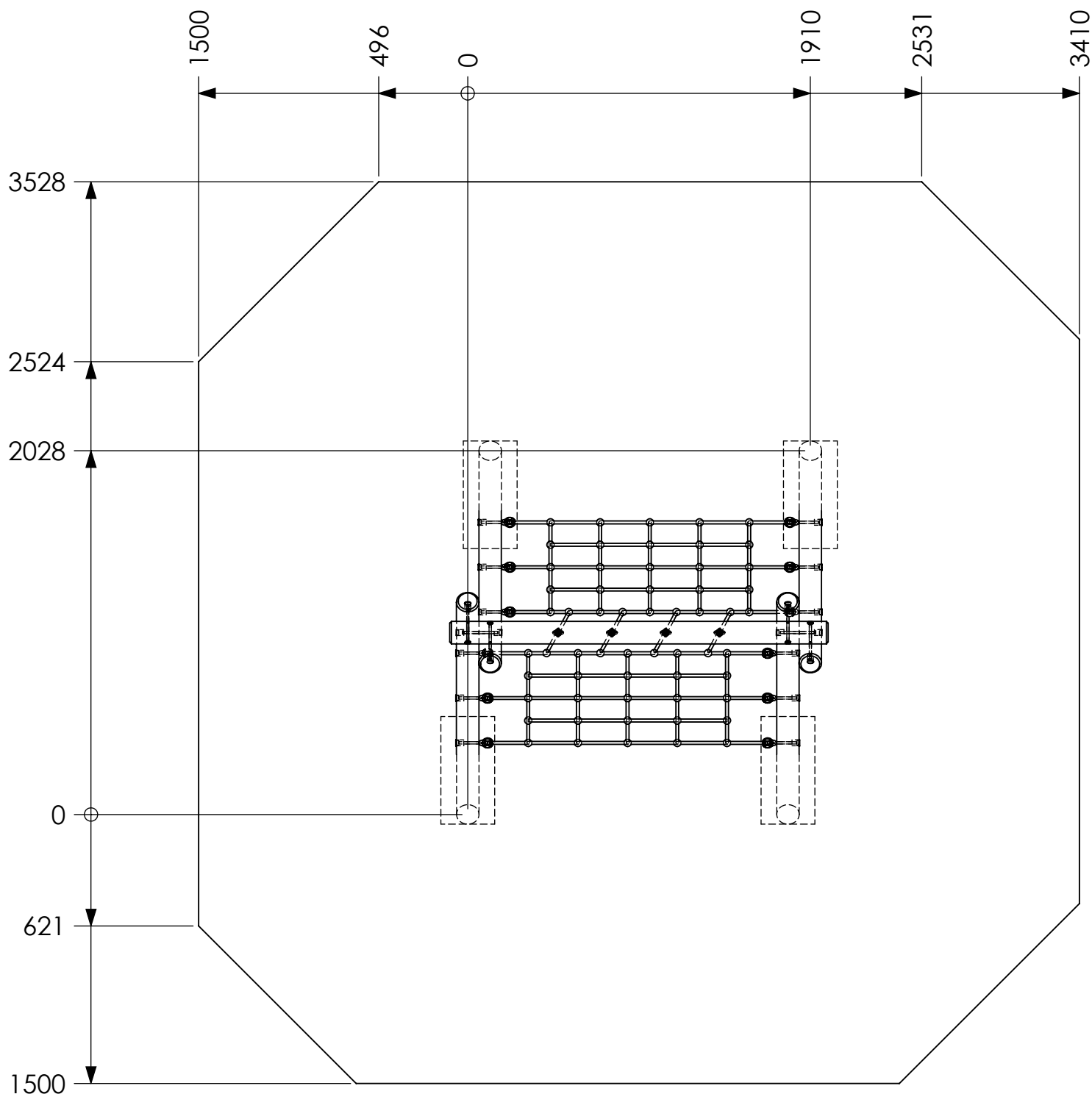
Statement of Compliance: AE Evans Ltd. manufacturers of children's playground equipment follow the codes and practices outlined in the British and European Standards. By doing this, all equipment for play areas manufactured by AE Evans meets the requirements of BSEN 1176 (general safety and test methods). Spares can be supplied via equipment distributor.

A-Frame Low with Nets.

Dig all groundworks
600mm deep.



A-Frame Low with Nets.



Area = 22.91m²
FFH = 1.5m



Statement of Compliance: AE Evans Ltd. manufacturers of children's playground equipment follow the codes and practices outlined in the British and European Standards. By doing this, all equipment for play areas manufactured by AE Evans meets the requirements of BSEN 1176 (general safety and test methods). Spares can be supplied via equipment distributor.

A-Frame Low with Nets.

Bolt list - Page 4 of 4

**Revision -
Saved Date**

A Frame Low with Nets - Bolt list

Timber crossbar T3558 to Timber legs T2719/T2720

04 No M12 x 240 CSH Bolts
04 No M12 Washers
04 No M12 Nylock Nuts
04 No 33mm Black Inserts

Timber Legs T2719 to Timber Legs T2720

02 No M12 x 200 Hex Bolts
04 No M12 Washers
02 No M12 Nylock Nuts
04 No 33mm Black Inserts

Net B0489 to all Timbers

16 No M12 Washers
16 No M12 Nylock Nuts
16 No 33mm Black Inserts

**Please note additional fixings have been included
therefore you may have some left over.**



Statement of Compliance: AE Evans Ltd. manufacturers of children's playground equipment follow the codes and practices outlined in the British and European Standards. By doing this, all equipment for play areas manufactured by AE Evans meets the requirements of BSEN 1176 (general safety and test methods). Spares can be supplied via equipment distributor.