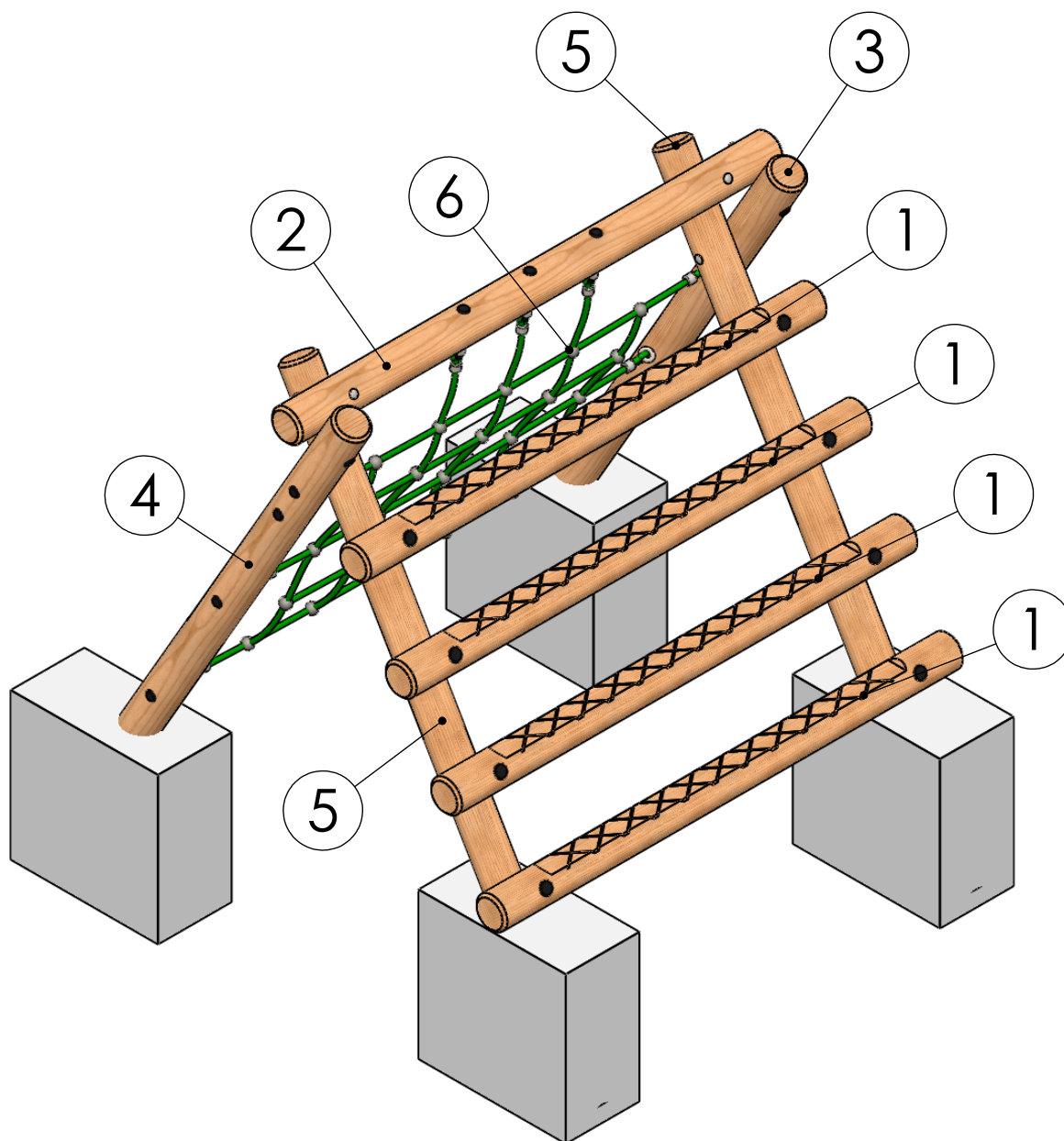


A-Frame Low.



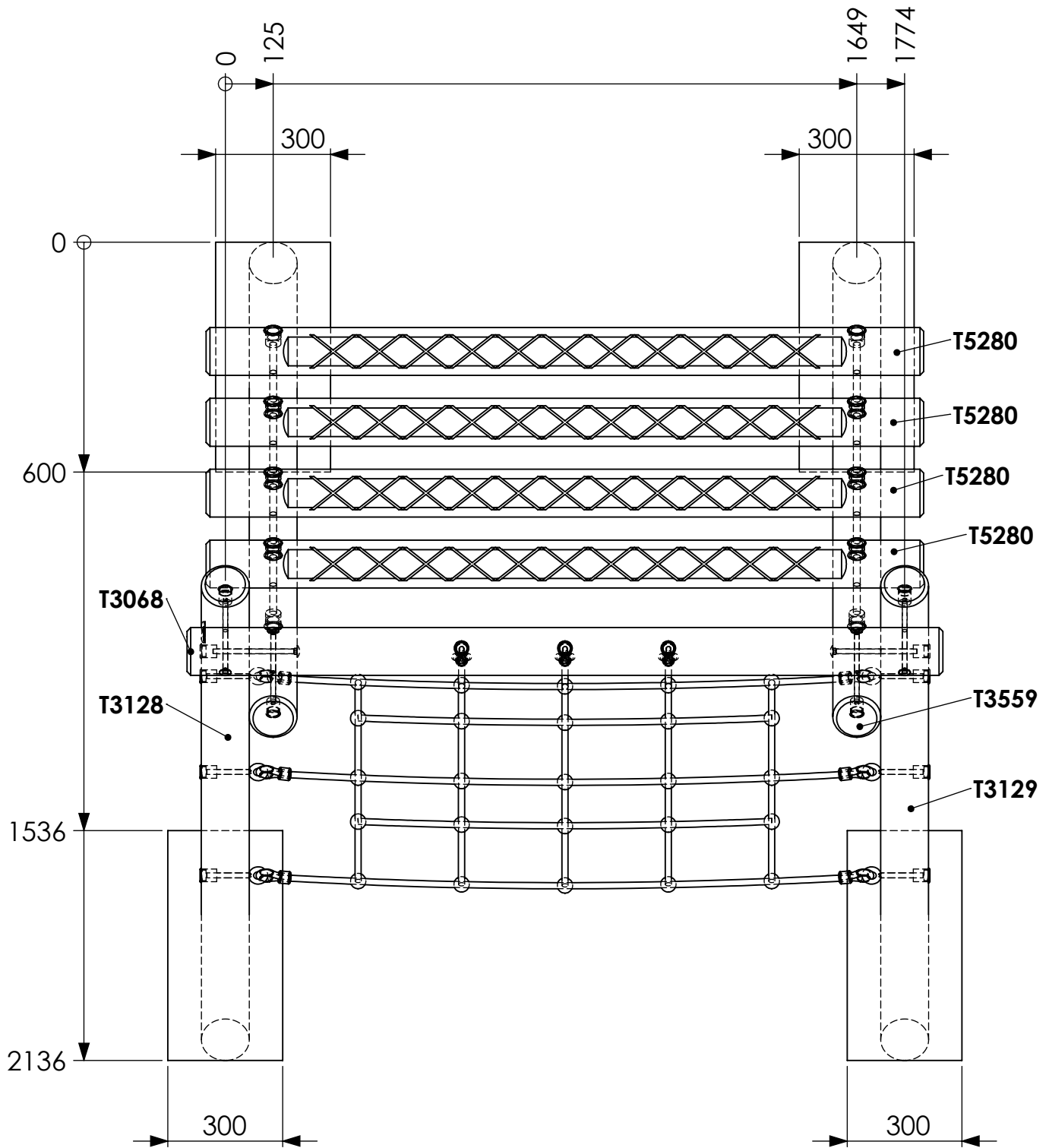
ITEM NO.	PART NUMBER	DESCRIPTION	QTY.
1	T5280	Timber 125mm dia cut at 1874mm DC	4
2	T3068	Timber 125mm dia. cut at 1974mm DC	1
3	T3128	Timber 125mm dia. cut at 2378mm SC	1
4	T3129	Timber 125mm dia. cut at 2378mm SC	1
5	T3559	Timber 125mm dia. cut at 2378mm SC	2
6	B0526..	Net 1.66 x 1.37m	1



a e evans

Statement of Compliance: AE Evans Ltd. manufacturers of children's playground equipment follow the codes and practices outlined in the British and European Standards. By doing this, all equipment for play areas manufactured by AE Evans meets the requirements of BSEN 1176 (general safety and test methods). Spares can be supplied via equipment distributor.

A-Frame Low.

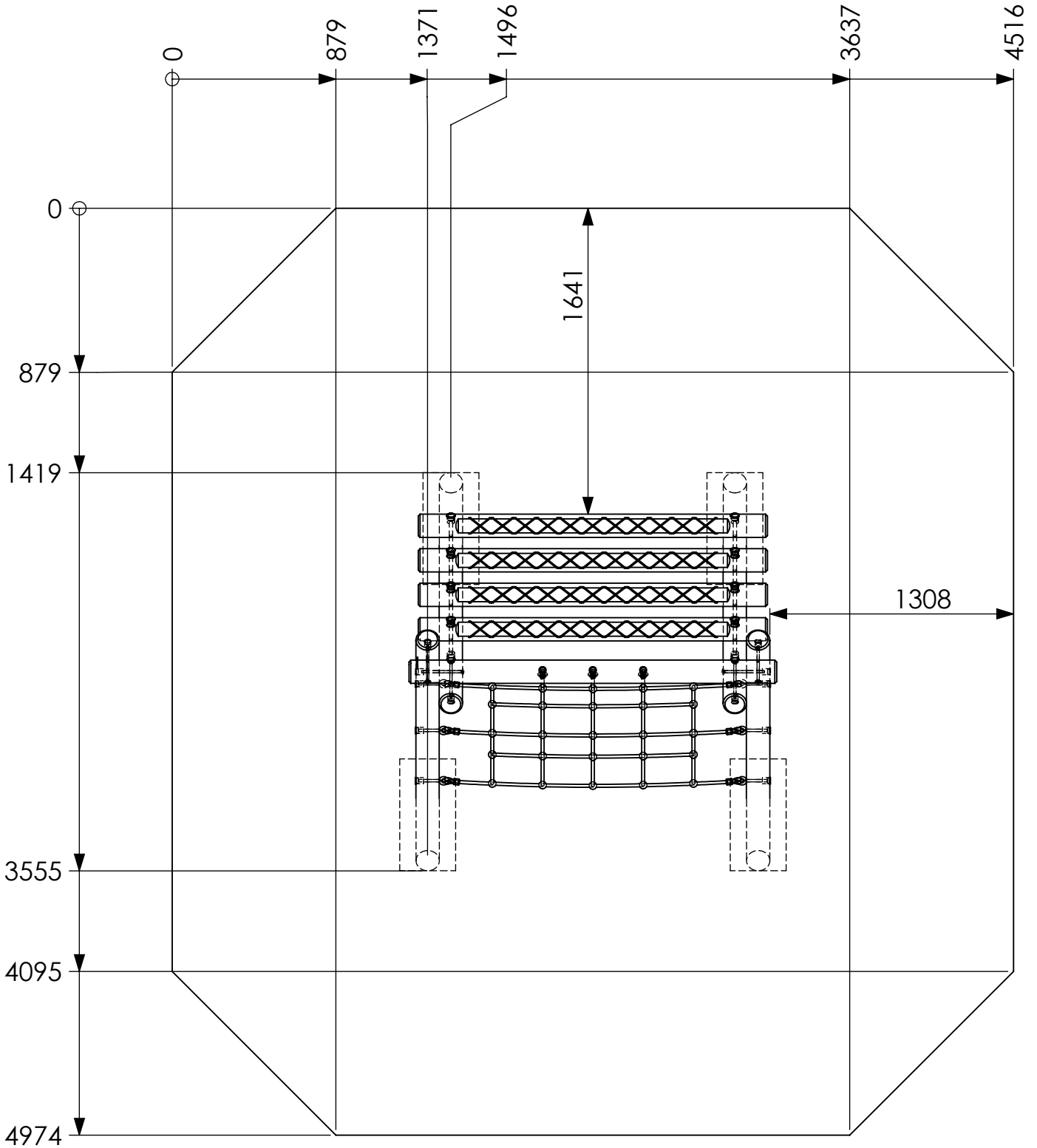


Dig all groundworks 600mm deep.



Statement of Compliance: AE Evans Ltd. manufacturers of children's playground equipment follow the codes and practices outlined in the British and European Standards. By doing this, all equipment for play areas manufactured by AE Evans meets the requirements of BSEN 1176 (general safety and test methods). Spares can be supplied via equipment distributor

A-Frame Low.



FFH: 1.5m

Safety Surface Area: 20.92m²



A-Frame Low.

A Frame Low - Bolt List

Timber Legs T3559/T3128/T3129 to Timber crossbar T3068

04 No. M12 x 240 CSH Bolt
04 No. M12 x Nylock Nuts
04 No. M12 Washers

Timber Leg T3559 to Timber Leg T3128 and Timber Leg T3559 to Timber Leg T3129

02 No. M12 x 240 CSH Bolt
02 No. M12 Nylock Nuts
02 No. M12 Washers
02 No. 33mm Black Inserts
04 No. 12mm Solid Bar (300mm Long)

Net B0526 to Timbers T3128/T3129 and T3068

09 No. M12 Washers
09 No. M12 Nylock Nuts
09 No. 33mm Black Inserts

Timber Stepping Logs T5280 to Timber Legs T3559

08 No. M16 x 190 Hex Bolts
16 No. M16 Washers
08 No. M16 Nylock Nuts
16 No. 40mm Black Inserts

Please note additional fixings have been included therefore you may have some left over.

