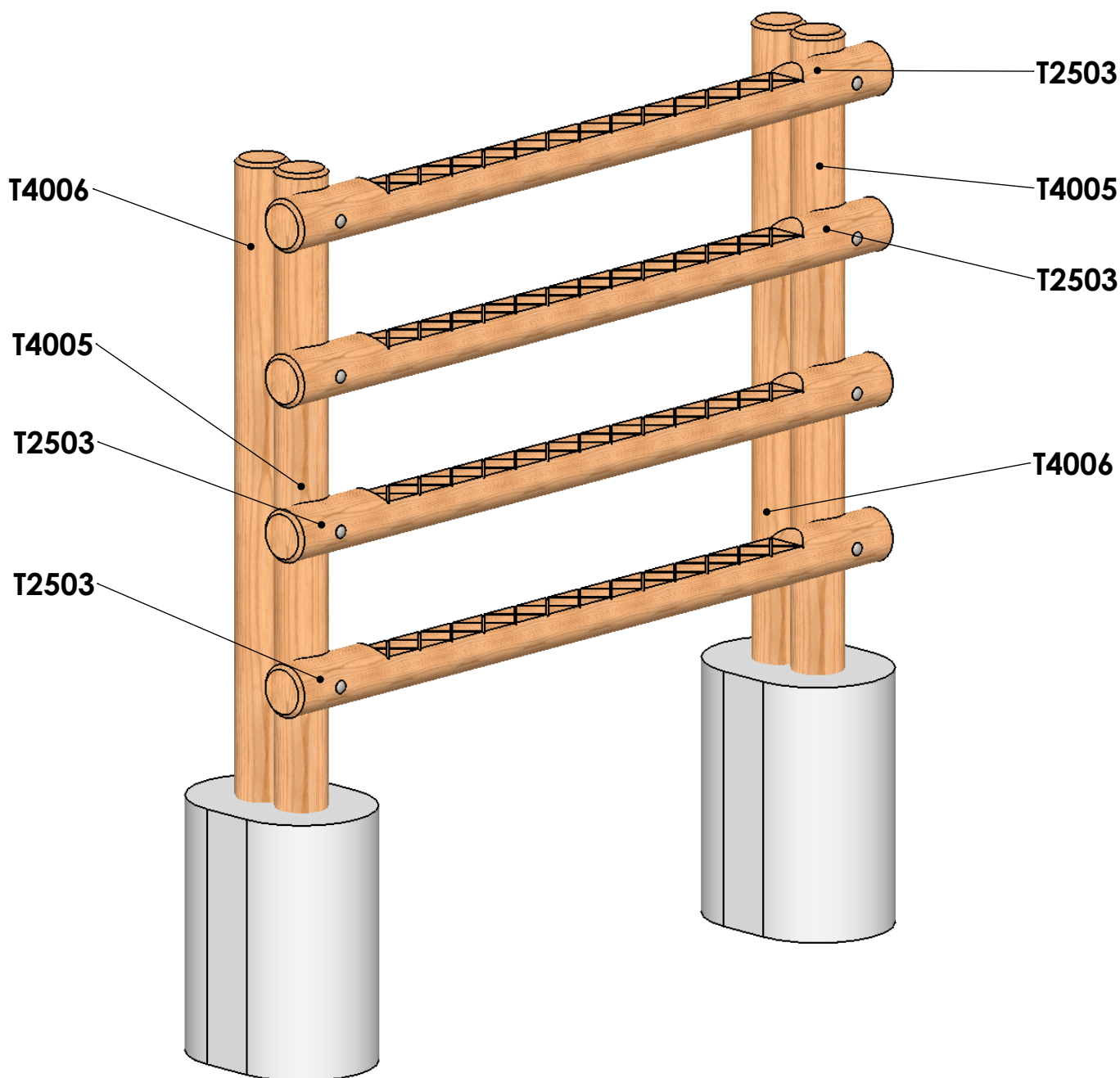


1.5m Timber Gate Climber

General Information - Page 1 of 3

Revision - 0
Saved Date 24 November 2015 17:01:27



ITEM NO.	PART NUMBER	DESCRIPTION	QTY.
1	T2503	Timber 125mm dia. cut at 1900mm DC	4
2	T4005	Timber 125mm dia. cut at 2100mm SC	2
3	T4006	Timber 125mm dia. cut at 2100mm SC	2

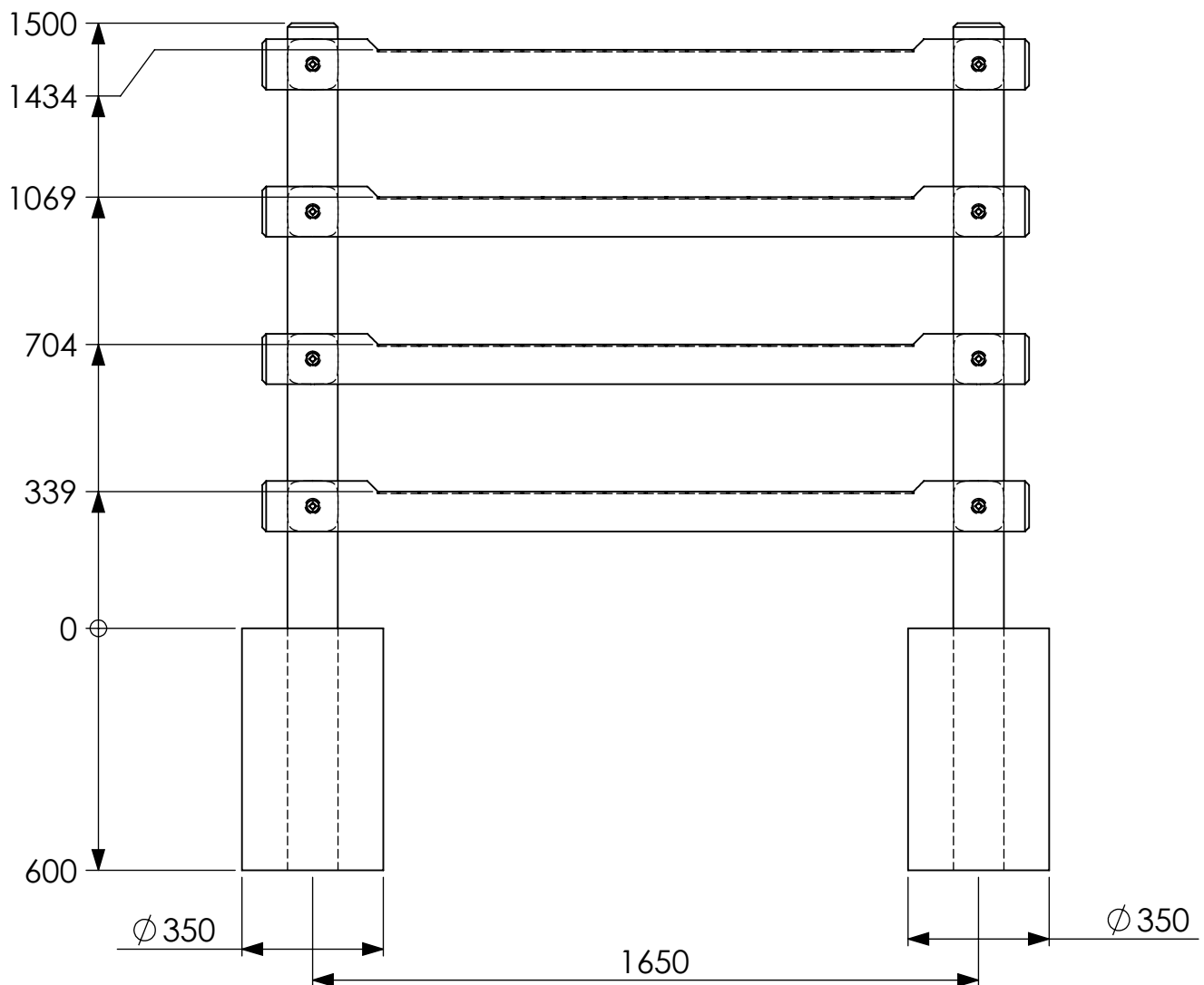


Statement of Compliance: AE Evans Ltd. manufacturers of children's playground equipment follow the codes and practices outlined in the British and European Standards. By doing this, all equipment for play areas manufactured by AE Evans meets the requirements of BSEN 1176 (general safety and test methods). Spares can be supplied via equipment distributor.

1.5m Timber Gate Climber

Excavation Detail - Page 2 of 3

Revision - 0
Saved Date 24 November 2015 17:01:27



Bolt List

Dig groundworks 600mm deep

- 08 No M12 x 300 CSH Bolts
- 08 No M12 Washers
- 08 No M12 Nylock Nuts
- 08 No 33mm Black Inserts

Please note additional fittings have been included therefore you may have leftovers



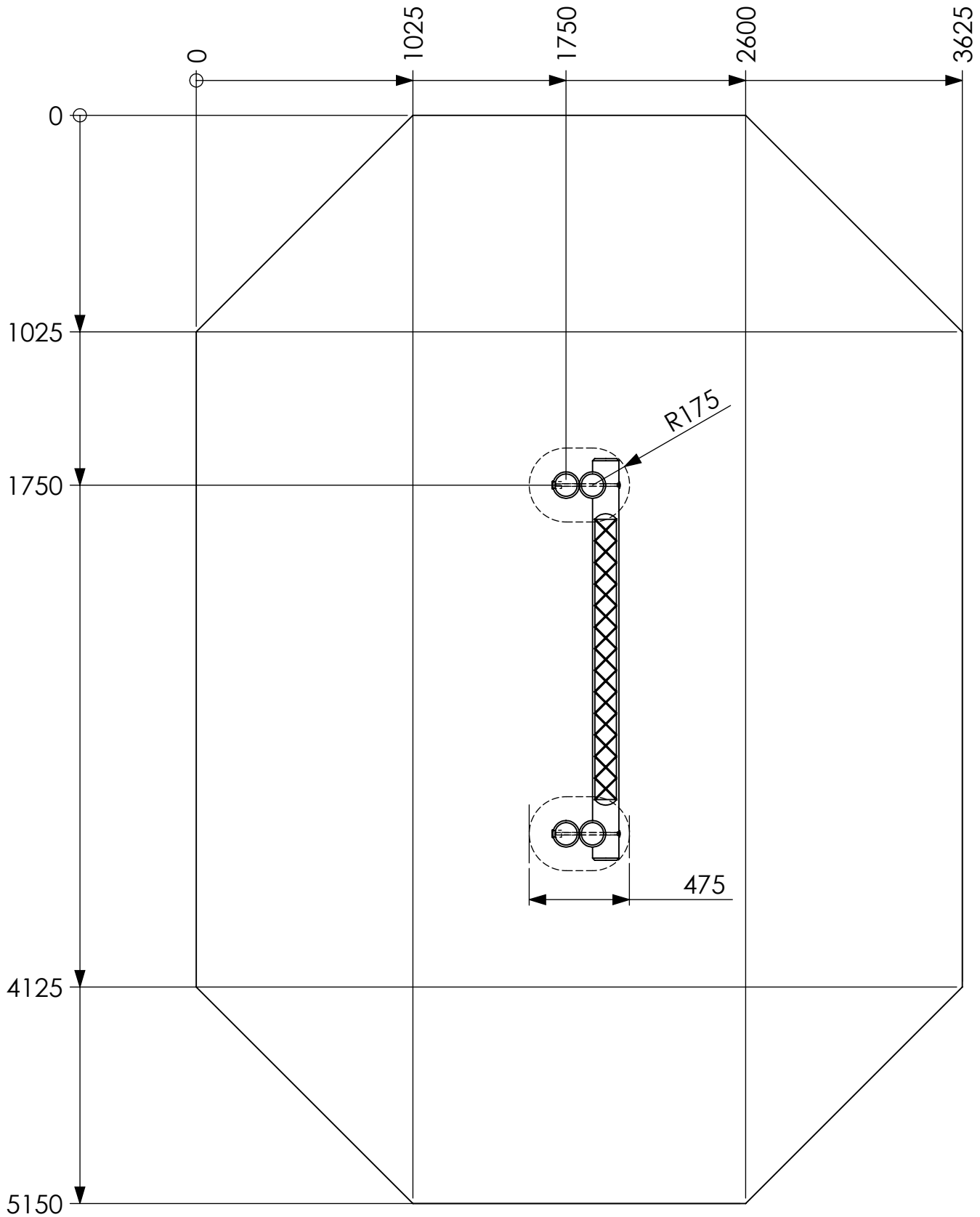
Statement of Compliance: AE Evans Ltd. manufacturers of children's playground equipment follow the codes and practices outlined in the British and European Standards. By doing this, all equipment for play areas manufactured by AE Evans meets the requirements of BSEN 1176 (general safety and test methods). Spares can be supplied via equipment distributor.

1.5m Timber Gate Climber

Surfacing Detail - Page 3 of 3

Revision - 0

Saved Date 24 November 2015 17:01:27



Statement of Compliance: AE Evans Ltd. manufacturers of children's playground equipment follow the codes and practices outlined in the British and European Standards. By doing this, all equipment for play areas manufactured by AE Evans meets the requirements of BSEN 1176 (general safety and test methods). Spares can be supplied via equipment distributor.