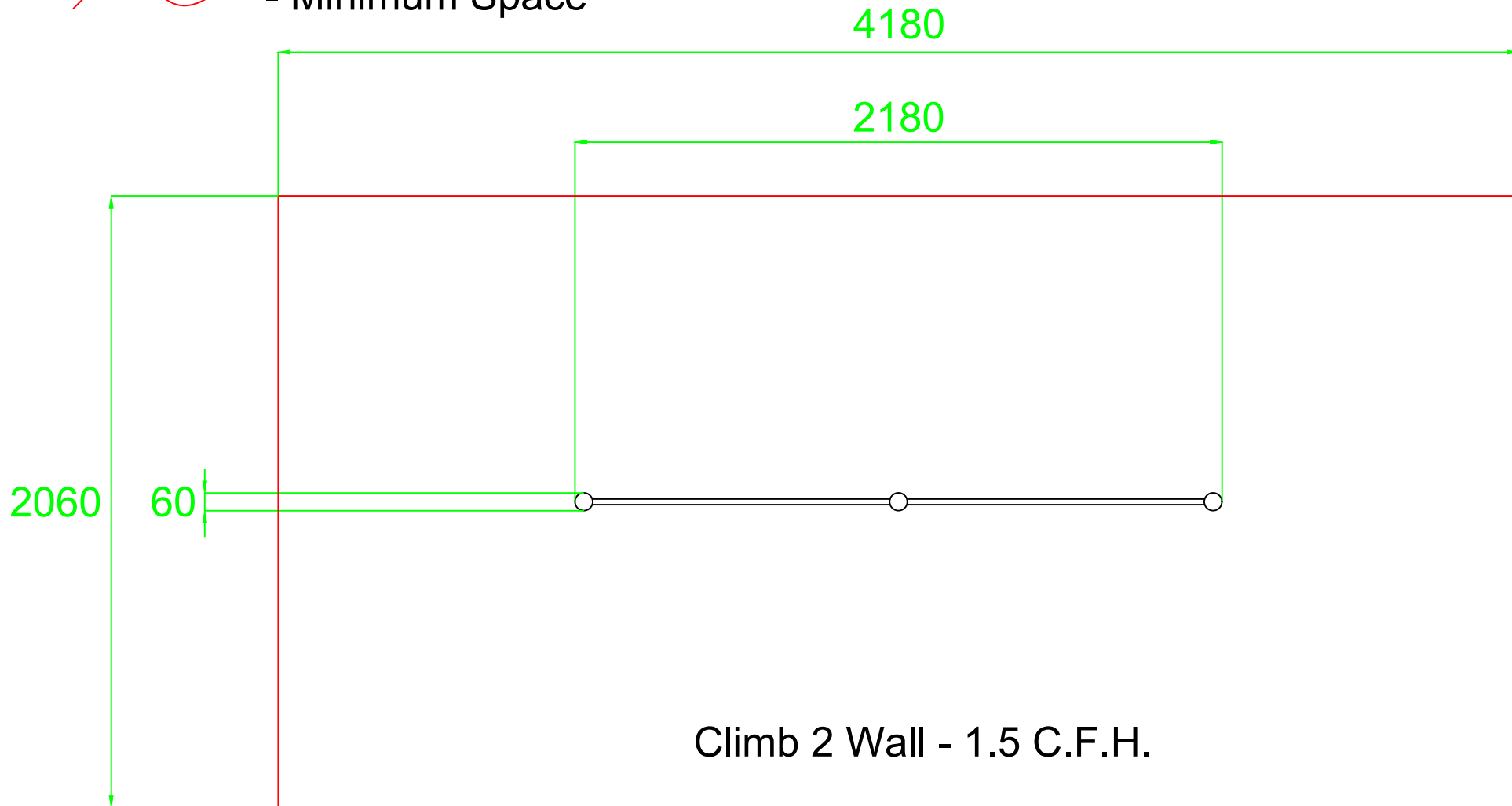




- Minimum Space



EQUIPMENT: Climb 2 Wall

PART NO: TT05

RANGE: Adventure Trails

SCALE: not to scale

DATE: 06/01/2012

DRAWN BY: B. Moss

Play & Leisure Ltd. Units 6-8, Catheralls Ind. Est. Pinfold Lane, Buckley, Flintshire, CH7 3PS | tel: 01244 546797 | fax: 01244 549477 | email: sales@playandleisure.org.uk | web: www.playandleisure.org.uk