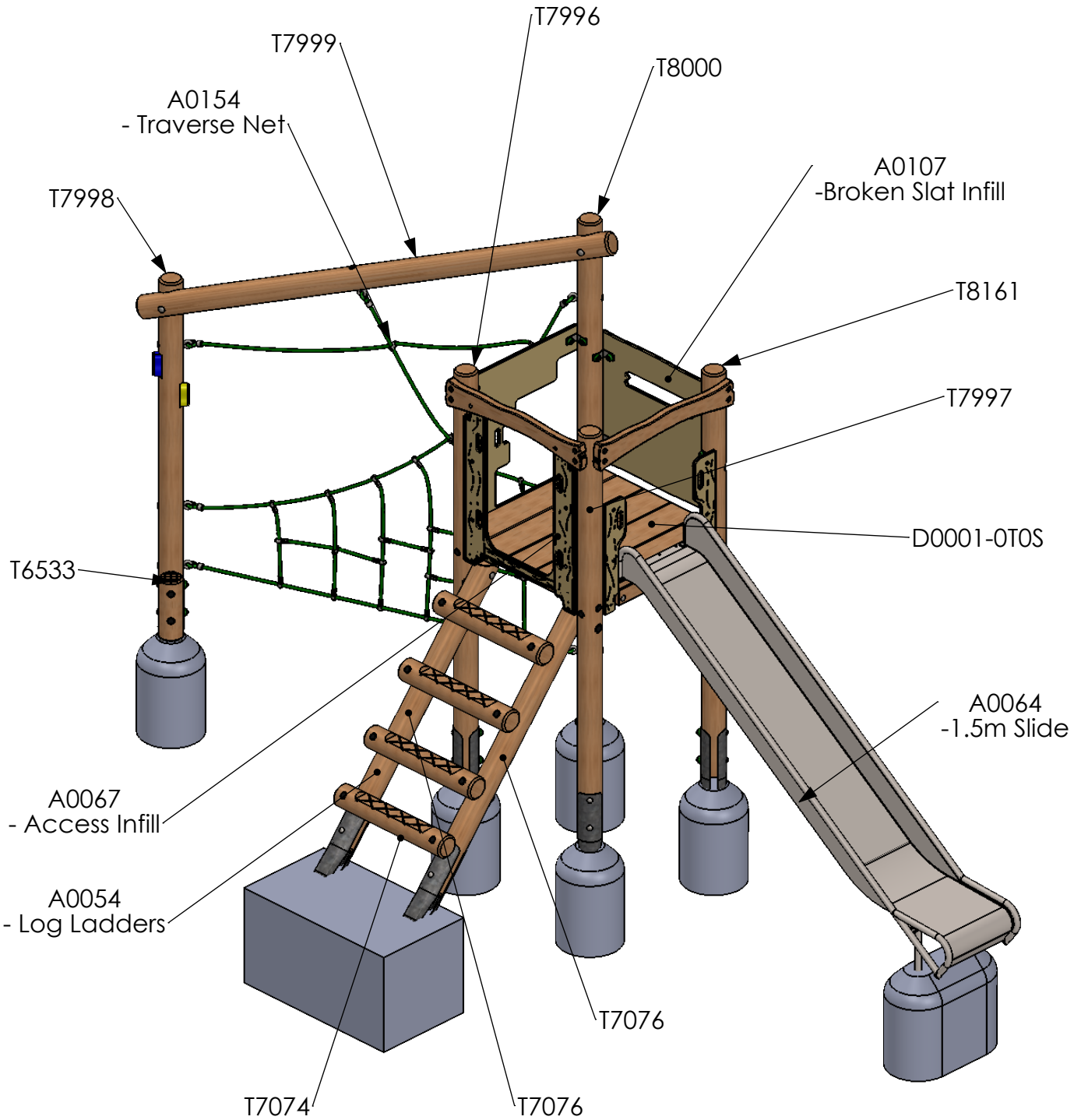


Single Deck Unit 04

General Information - Page 1 of 5

Revision -
Saved Date 31 July 2024 07:59:18



Statement of Compliance: AE Evans Ltd. manufacturers of children's playground equipment follow the codes and practices outlined in the British and European Standards. By doing this, all equipment for play areas manufactured by AE Evans meets the requirements of BSEN 1176 (general safety and test methods). Spares can be supplied via equipment distributor.

Single Deck Unit 04

Bill of Materials - Page 2 of 5

**Revision -
Saved Date**

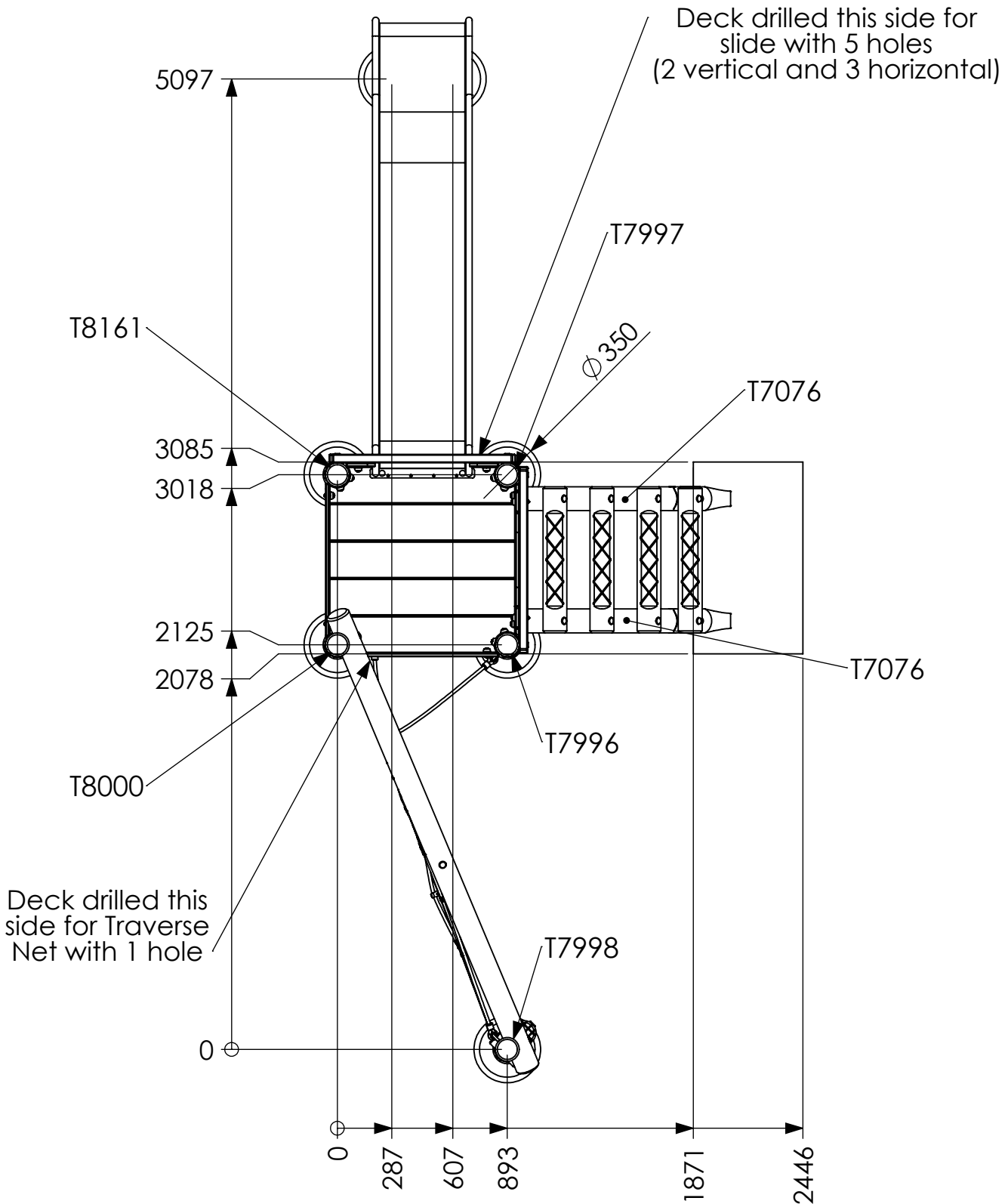
Part Number	Description	Qty	Material	Assembly
T8000	Timber 125mm dia, cut at 2900mm SC	1	Timber	A0154
T7999	Timber 125mm dia, cut at 2760mm DC	1	Timber	A0154
T7996	Timber 125mm dia, cut at 2375mm SC	1	Timber	-
T7997	Timber 125mm dia, cut at 2375mm SC	1	Timber	-
T8161	Timber 125mm dia, cut at 2375mm SC	1	Timber	-
T7998	Timber 125mm dia, cut at 2041mm SC	1	Timber	A0154
T6533	Timber 125mm dia, cut at 350mm DC	1	Timber	Fixed to T7998
T7076	Timber 125mm dia, cut at 1640mm DC	2	Timber	A0054
T7074	Timber 125mm dia, cut at 767mm DC	4	Timber	A0054
T7031	1060 x 195 x 45mm CNC'd	1	Timber	A0067
T7031B	1060 x 195 x 45mm CNC'd	1	Timber	A0064
T7093	563 x 95 x 70mm	1	Timber	A0064
D0001-0T0S	Deck Drilled for Slide and Trav Net	1	Timber	-
P0349	Access Infill Panel	1	HDPE	A0067
P0471	1 Sided Access Infill Panel	1	HDPE	A0154
P0378	Broken Slat Infill Panel	1	HDPE	A0107
P0348A	Slide Infill Handle	1	HDPE	A0064
P0348B	Slide Infill Handle	1	HDPE	A0064
P0430	100 x 60mm Gap Infill Piece	2	HDPE	A0054
B0798	Traverse Net	1	Rope	A0154
B0720	1.5m Stainless Steel Slide	1	Steel	A0064
M1387	Slide foot extension plate	1	Steel	A0064
B0775	Slide Extension Foot	2	Steel	A0064



a e evans

Statement of Compliance: AE Evans Ltd. manufacturers of children's playground equipment follow the codes and practices outlined in the British and European Standards. By doing this, all equipment for play areas manufactured by AE Evans meets the requirements of BSEN 1176 (general safety and test methods). Spares can be supplied via equipment distributor.

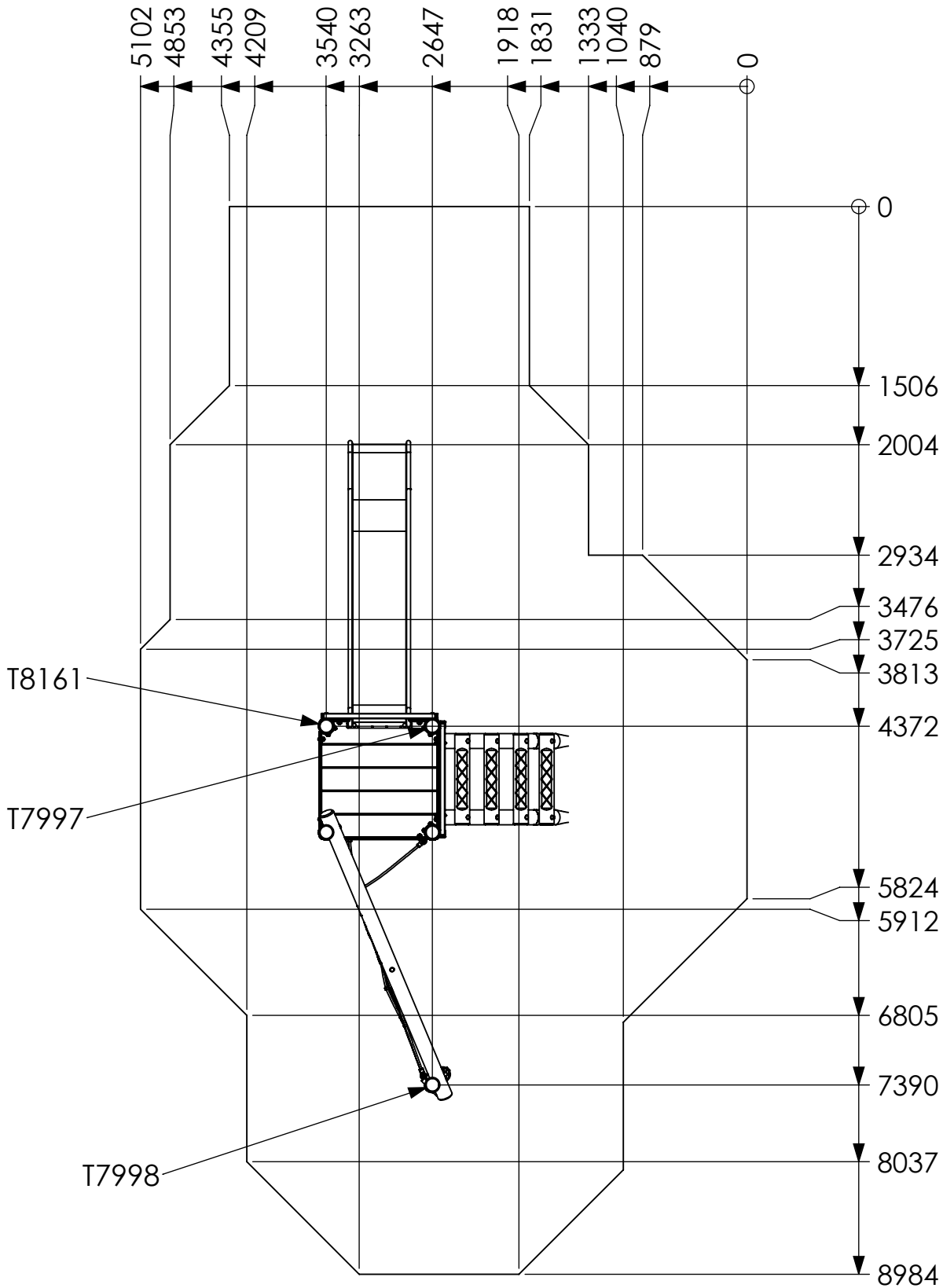
Single Deck Unit 04



Single Deck Unit 04

Surfacing Detail - Page 4 of 5

Revision -
Saved Date 31 July 2024 07:59:18



Surface Area = 32.97m²
FFH = 1500mm



Statement of Compliance: AE Evans Ltd. manufacturers of children's playground equipment follow the codes and practices outlined in the British and European Standards. By doing this, all equipment for play areas manufactured by AE Evans meets the requirements of BSEN 1176 (general safety and test methods). Spares can be supplied via equipment distributor.

Single Deck Unit 04

Bolt List - Page 5 of 5

**Revision -
Saved Date 31 July 2024 07:59:18**

Deck D0001 to T7997, T8161, T7996+T8000

8 no M12 x 170mm CSH Bolt
8 no M12 Nyloc
8 no M12 Washer
8 no 33mm Black Cap

T7999 to T8000 + T7998

2 no M16 x 180mm CSH Bolt
2 no M16 Nyloc
2 no M16 Washer
2 no 40mm Black Cap

A0054 to T7996+T7997

2 no M16 x 230mm CSH Bolt
2 no M16 Nyloc
2 no M16 Washer
2 no 40mm Black Cap
8 no M12 x 230mm CSH Bolt
8 no M12 Nyloc
8 no M12 Washer
8 no 33mm Black Cap
4 no No5 x 70mm Screw

A0064 to T7997+T8161

2 no M12 x 130mm CSH Bolts
3 no M12 x 180mm CSH Bolts
5 no M12 Nyloc
5 no M12 Washer
3 no 2 Part Green Cap
2 no 33mm Black Cap
4 no No5 x 70mm CSK Screw
4 no 100mm Timberlock Screw
4 no 28mm Black Caps
4 no M1335 Panel Bracket
4 no M8 x 40mm Anti Tamper Bolt
4 no 75mm Coach Screw
4 no M8 Nyloc
16 no M8 Washer
8 no 2 Part Green Cap
6 no M10 x 25mm Hex Bolt
6 no M10 Nyloc
12 no M10 Washer

A0067 to T7996+T7997

2 no M8 x 80mm Anti Tamper Bolt
4 no 100mm Timberlock Screws
4 no M1335 Panel Brackets
4 no M8 x 40mm Anti Tamper Bolts
4 no 75mm Coach Screws
6 no M8 Nyloc
20 no M8 Washer
10 no 2 Part Green Cap
4 no No5 x 70mm Screws

A0107 to T8161+T8000

4 no M1335 Panel Brackets
4 no M8 x 40mm Anti Tamper Bolts
4 no 75mm Coach Screws
4 no M8 Nyloc
12 no M8 Washer
8 no 2 Part Green Cap

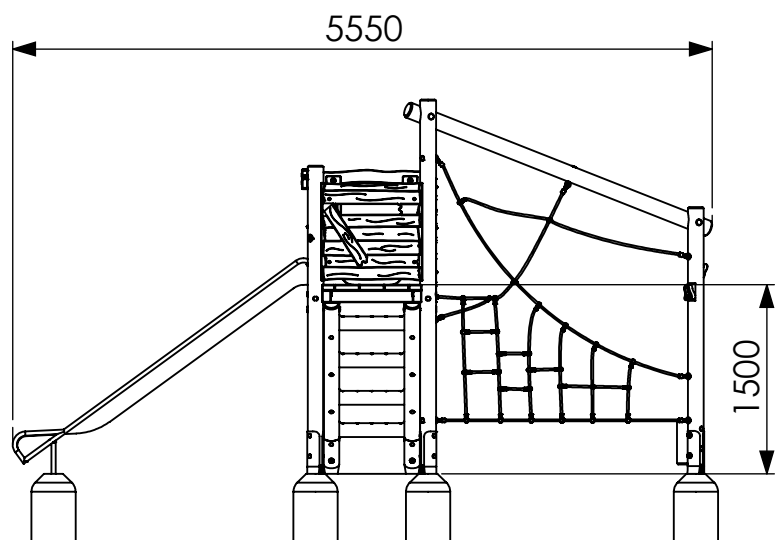
A0154 Traverse Net

A0152 to T8000, T7996 + Deck

4 no M1335 Panel Brackets
4 no M8 x 40mm Anti Tamper Bolts
4 no 75mm Coach Screws
4 no M8 Nyloc
12 no M8 Washer
8 no 2 Part Green Cap
7 no No5 x 70mm Screws

B0798 to T7996, T7998, T7999, T8000+Deck

8 no M12 Nyloc
8 no M12 Washer
8 no 33mm Black Cap

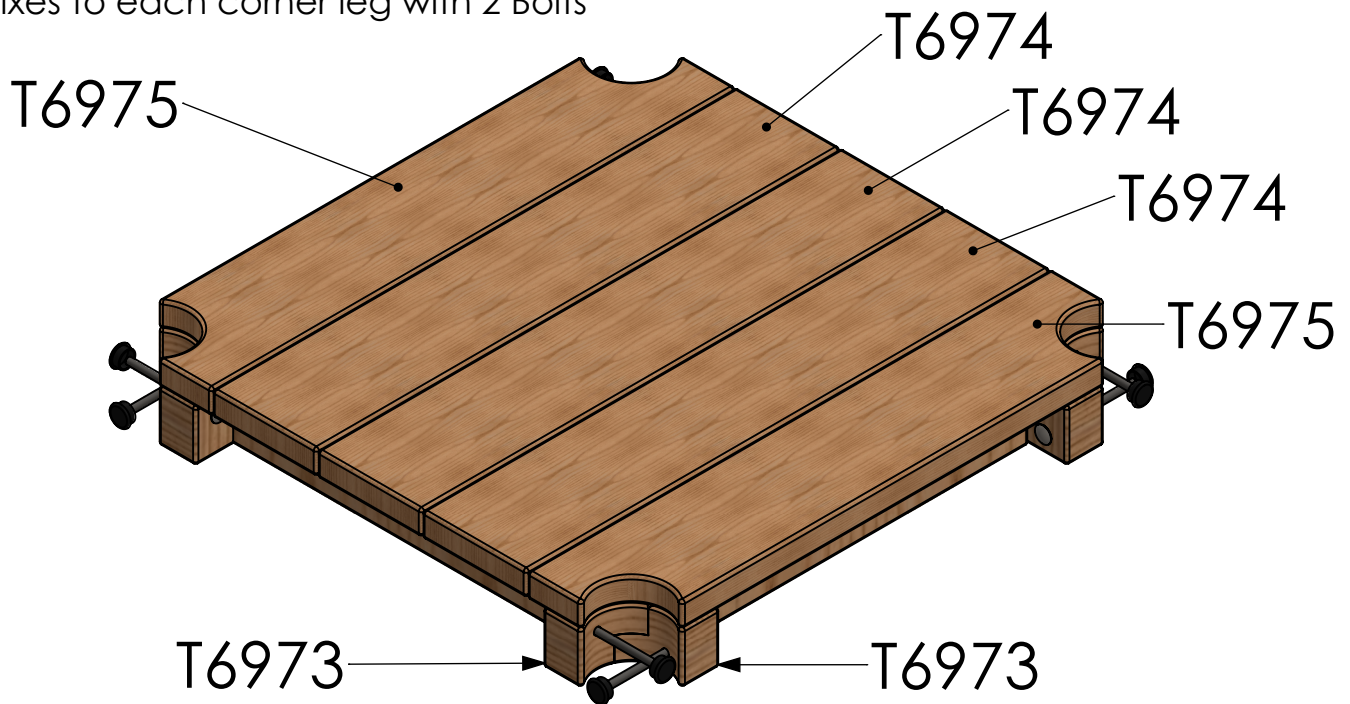


D0001 - Deck - Installation

General Information - Page 1 of 1

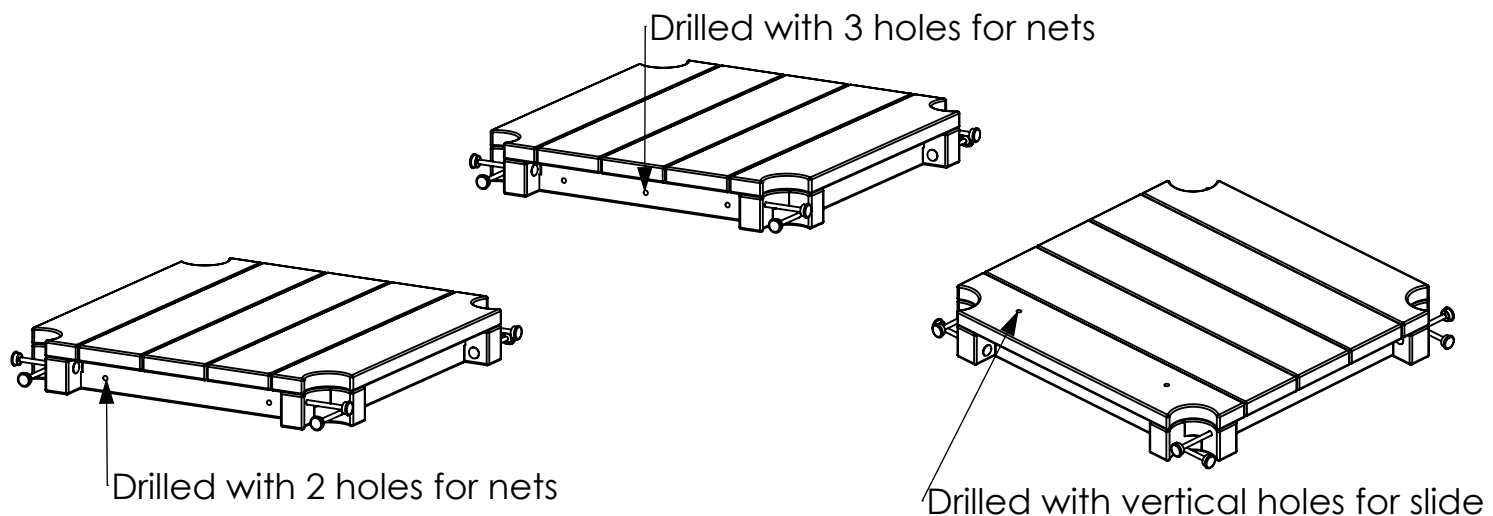
Revision -
Saved Date 08 October 2020 12:41:03

Deck fixes to each corner leg with 2 Bolts



ITEM NO.	PART NUMBER	DESCRIPTION	QTY.
1	T6973	Tower Post 980 x 95 x 95mm	4
2	T6974	Plank 980 x 195 x 45mm	3
3	T6975	Plank 980 x 195 x 45mm	2

Fix deck to Main Unit Legs
 8 no M12 x 170mm CSH Bolts
 8 no M12 Washers
 8 no M12 Nyloc
 8 no 33mm Black Caps



If deck is drilled for Nets, Slide or any other feature refer to unit instructions for positioning instructions.



Statement of Compliance: AE Evans Ltd. manufacturers of children's playground equipment follow the codes and practices outlined in the British and European Standards. By doing this, all equipment for play areas manufactured by AE Evans meets the requirements of BSEN 1176 (general safety and test methods). Spares can be supplied via equipment distributor.

A0054 - 1.5m Log Ladders Installation

General Information - Page 1 of 1

Revision -
Saved Date 30 July 2024 15:28:54

ITEM NO.	PART NUMBER	DESCRIPTION	QTY.
1	T7074	Timber 125mm dia, cut at 767mm DC	4
2	T7076	Timber 125mm dia, cut at 1640mm DC	2
3	P0430	100mm x 60mm HDPE Bracket	2

T7076 to Tower Leg

2 No M16 x 230mm CSH Bolt
2 No M16 Washer
2 No M16 Nyloc
2 No 40mm Black caps

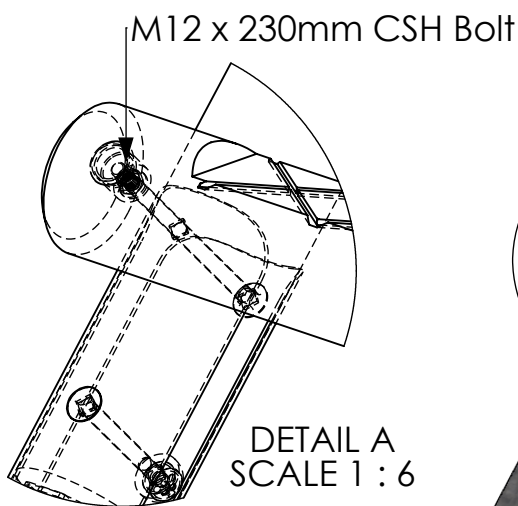
T7074 to T7076

8 No M12 x 230mm CSH Bolt
8 No M12 Washer
8 No M12 Nyloc
8 No 33mm Black caps

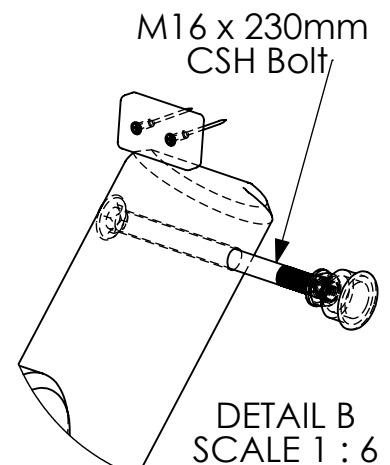
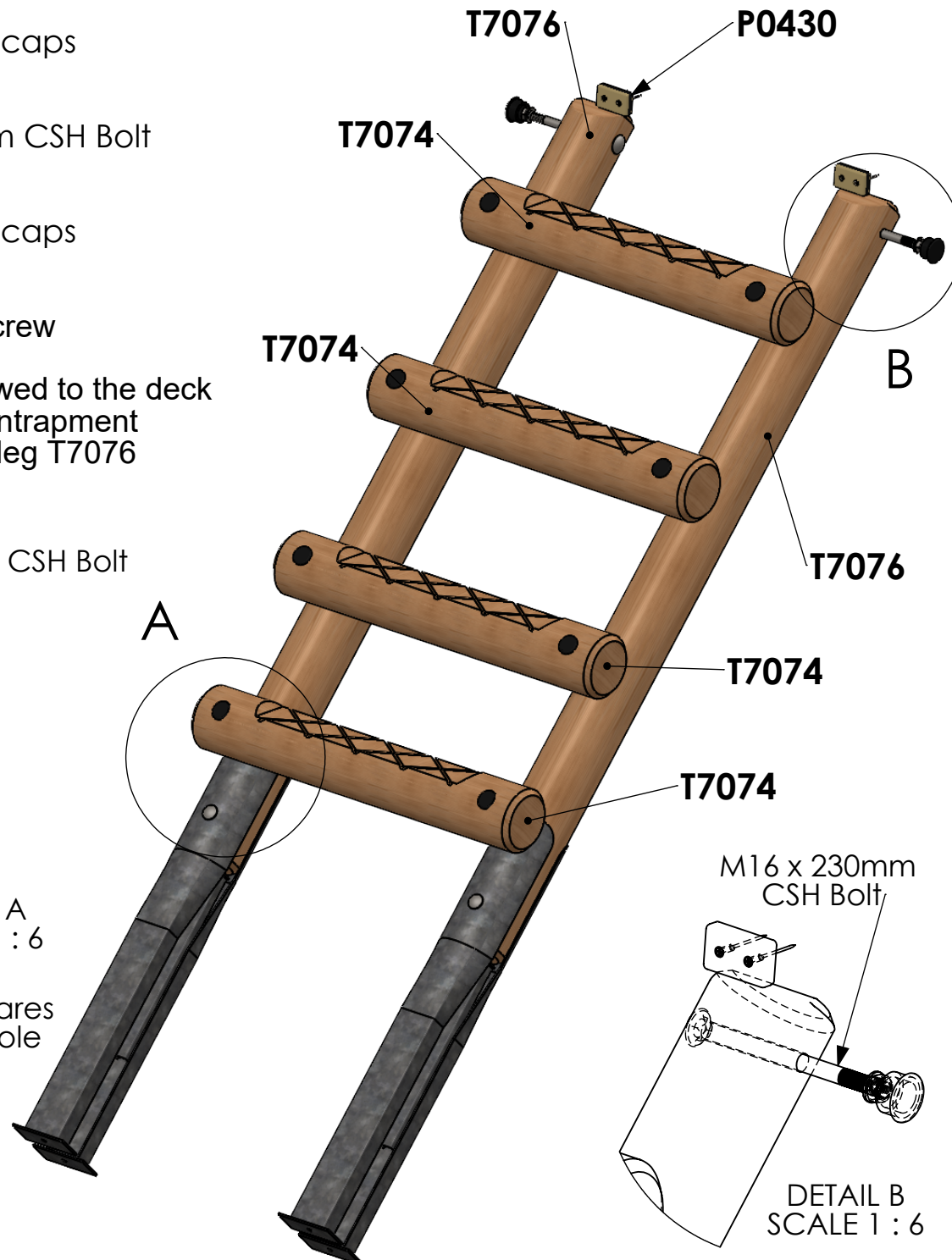
P0430(x2) to Deck

4 no 70mm CSK Screw

P0430 can be screwed to the deck if there is a finger entrapment between the top of leg T7076 and the deck.



Bottom ladder rung shares a fixing with the top hole for the steel foot.



Statement of Compliance: AE Evans Ltd. manufacturers of children's playground equipment follow the codes and practices outlined in the British and European Standards. By doing this, all equipment for play areas manufactured by AE Evans meets the requirements of BSEN 1176 (general safety and test methods). Spares can be supplied via equipment distributor.

A0154 - Traverse 1.5m Access Net - Installation Instructions

General Information - Page 1 of 1

Revision -
Saved Date 11 August 2022 12:04:03

ITEM NO.	PART NUMBER	DESCRIPTION	QTY.
1	T7998	Timber 125mm dia, cut at 2041mm SC	1
2	T7999	Timber 150mm Dia. Cut at 2760mm DC	1
3	T6533	Timber 125mm dia cut at 350mm DC	1
4	B0798	Traverse Climbing Net	1

Bolt List

T6533 to T7998

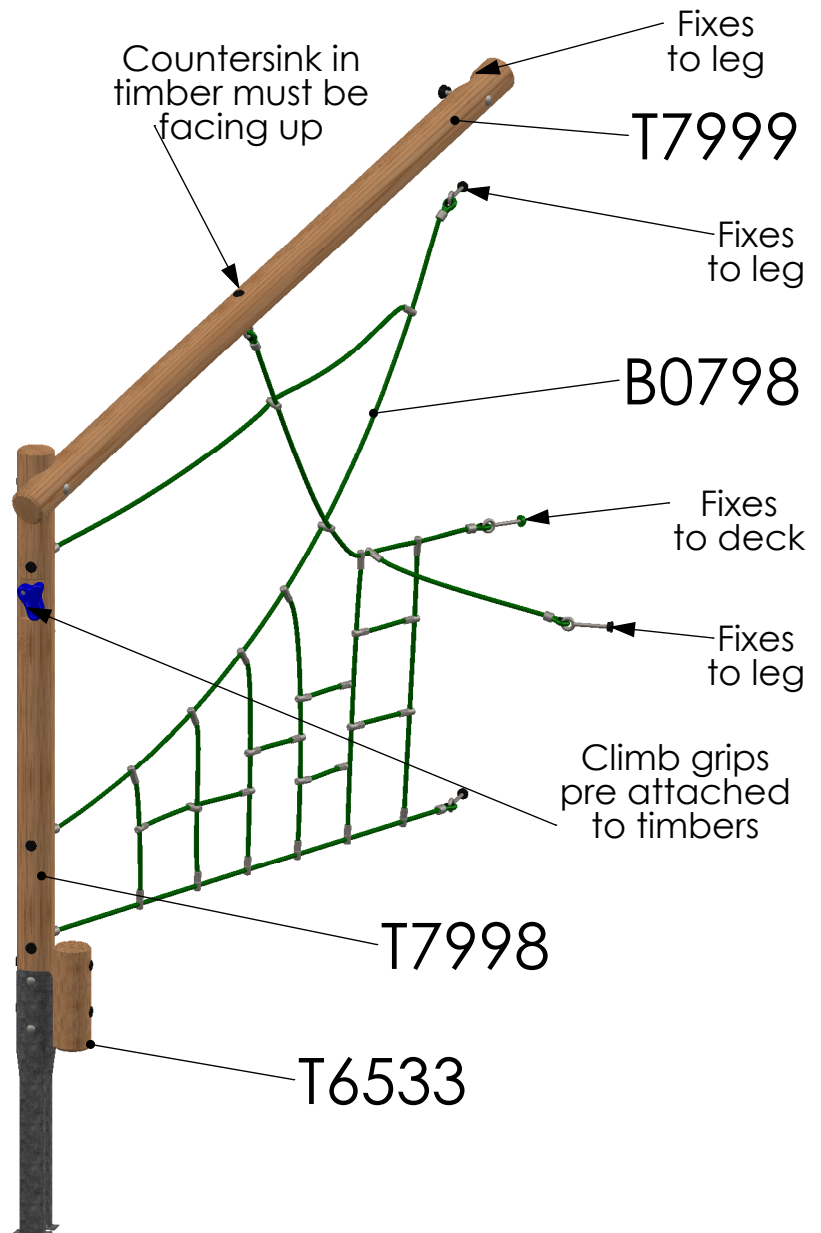
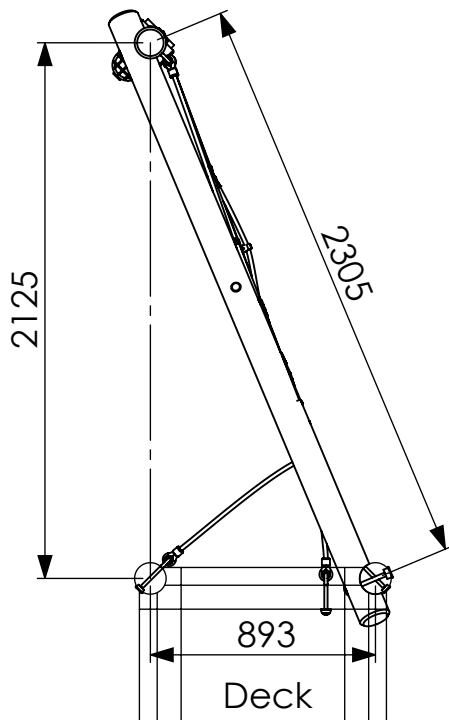
- 2 no M12 x 190mm Hex Bolt
- 2 no M12 Nyloc
- 4 no M12 Washer
- 4 no 33mm Black Cap

T7999 to T7998 and main unit leg

- 2 no M16 x 180mm CSH Bolt
- 2 no M16 Nyloc
- 2 no M16 Washer
- 2 no 40mm Black Cap

B0798 to T7999, T7998, Deck and 2 main unit legs

- 8 no M12 Nyloc
- 8 no M12 Washer
- 7 no 33mm Black Cap
- 1 no 2 Part Green Cap



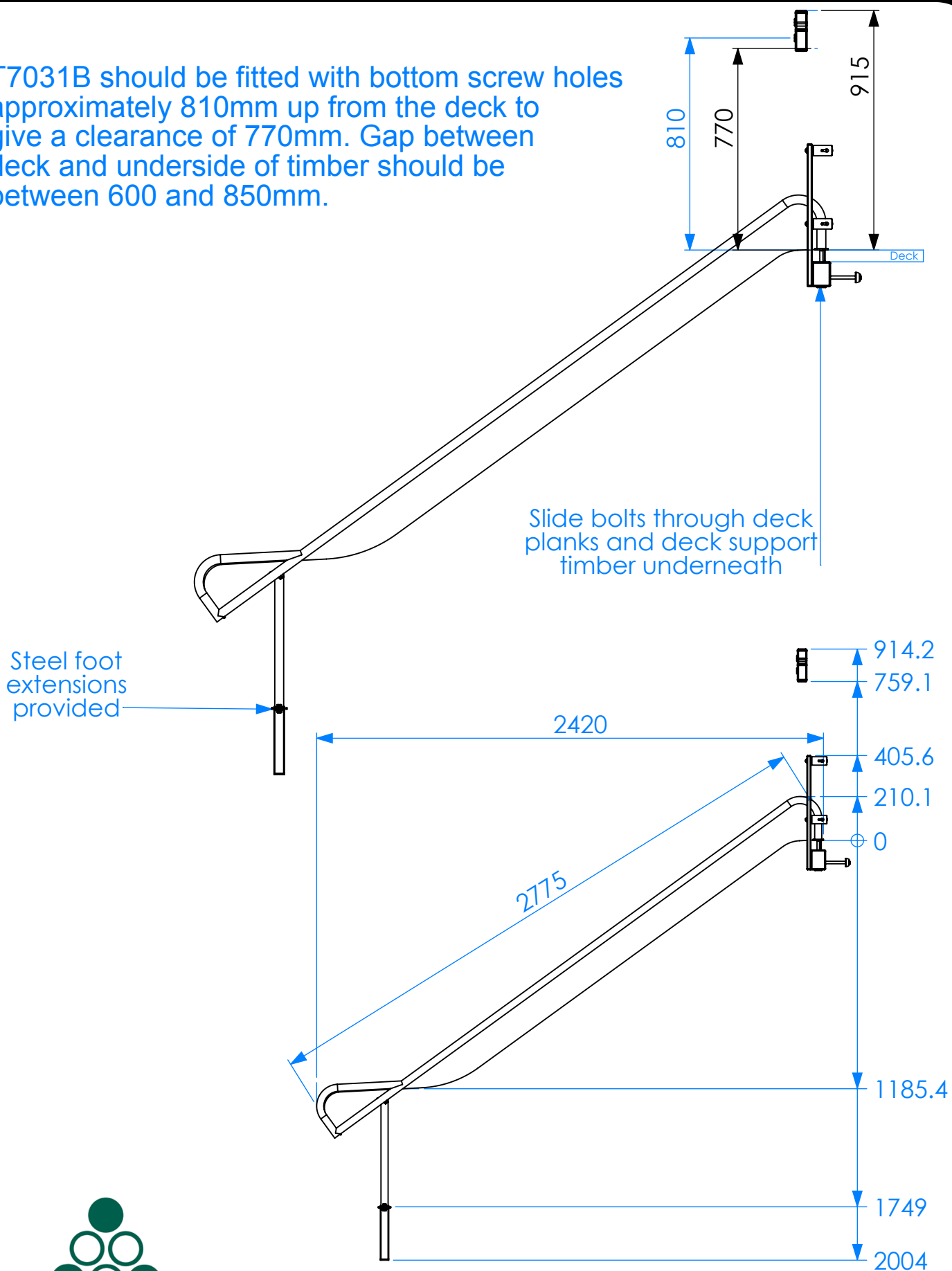
Groundwork information for T7998 should be included on main unit instructions.



Statement of Compliance: AE Evans Ltd. manufacturers of children's playground equipment follow the codes and practices outlined in the British and European Standards. By doing this, all equipment for play areas manufactured by AE Evans meets the requirements of BSEN 1176 (general safety and test methods). Spares can be supplied via equipment distributor.

A0064 - 1.5m Slide - Installation Instructions

T7031B should be fitted with bottom screw holes approximately 810mm up from the deck to give a clearance of 770mm. Gap between deck and underside of timber should be between 600 and 850mm.



A0067 - Standard Access Infill - Installation

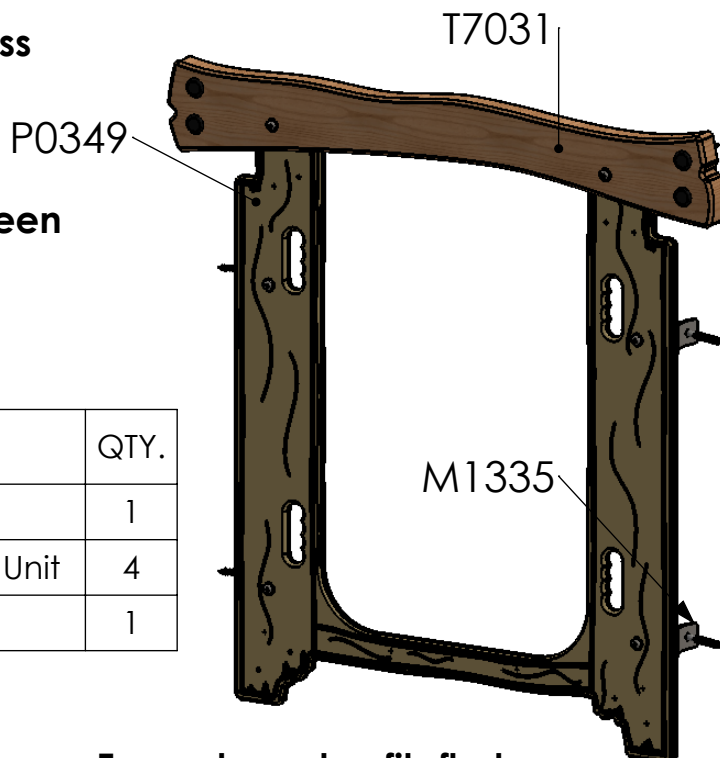
General Information - Page 1 of 1

Revision -
Saved Date 04 November 2020 12:34:07

Standard Access Infill for use with Access Nets and other deck access features.

Ensure an even gap on each side between the panel and main unit legs

ITEM NO.	PART NUMBER	DESCRIPTION	QTY.
1	T7031	Plank 998 x 195 x 45mm	1
2	M1335	HDPE Bracket Modular Tower Unit	4
3	P0349	Standard Access Infill	1



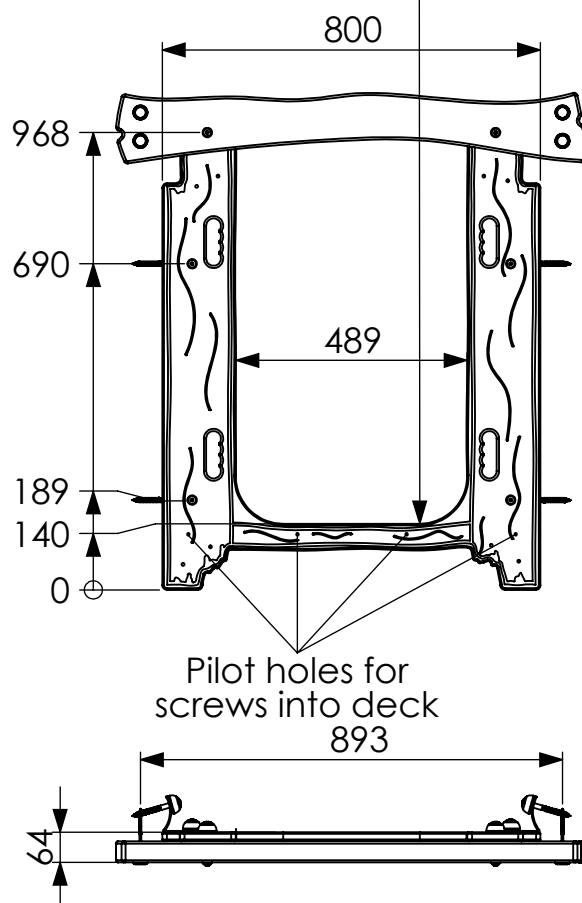
P0349 to T7031
2 no M8 x 80mm Anti Tamper Bolt
2 no M8 Nyloc
4 no M8 Washer
2 no 2 Part Green Cap

T7031 to Main Unit Legs
4 no 100mm Timberlock Screws
4 no M8 Washers
4 no 28mm Black Caps

P0349 to Main Unit Legs
4 no M1335 Panel Brackets
4 no M8 x 40mm Anti Tamper Bolt
4 no M8 x 75mm Coach Screws
4 no M8 Nyloc
12 no M8 Washers
8 no 2 Part Green Caps

P0349 to Deck
4 no 5 x 75mm Woodscrews

Ensure top edge fits flush to the deck level



Statement of Compliance: AE Evans Ltd. manufacturers of children's playground equipment follow the codes and practices outlined in the British and European Standards. By doing this, all equipment for play areas manufactured by AE Evans meets the requirements of BSEN 1176 (general safety and test methods). Spares can be supplied via equipment distributor.

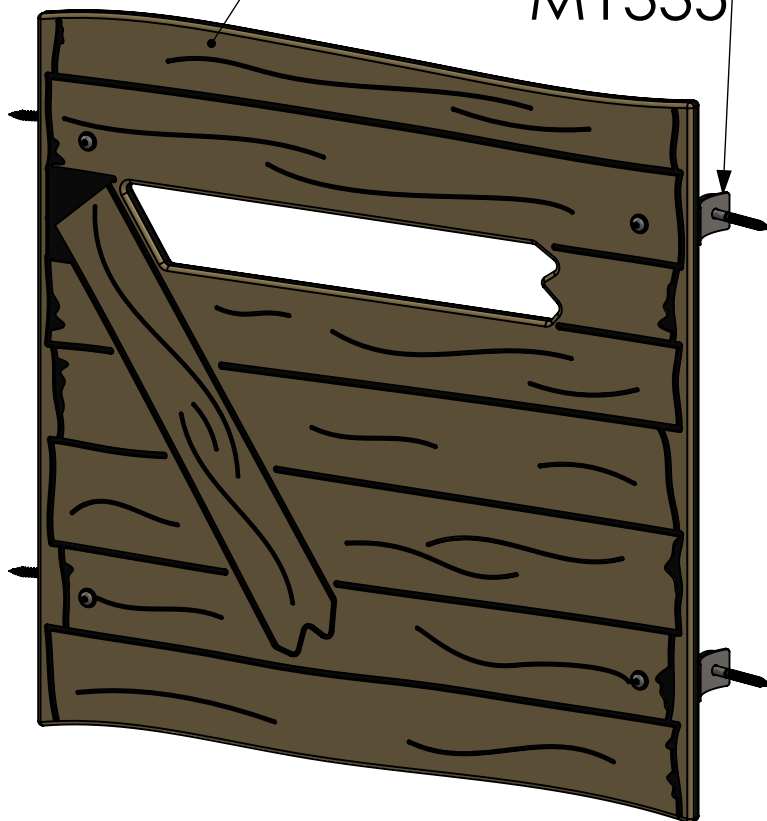
A0107 - Broken Slat Infill - Installation

General Information - Page 1 of 1

Revision -
Saved Date 03 November 2020 08:43:56

P0378

M1335

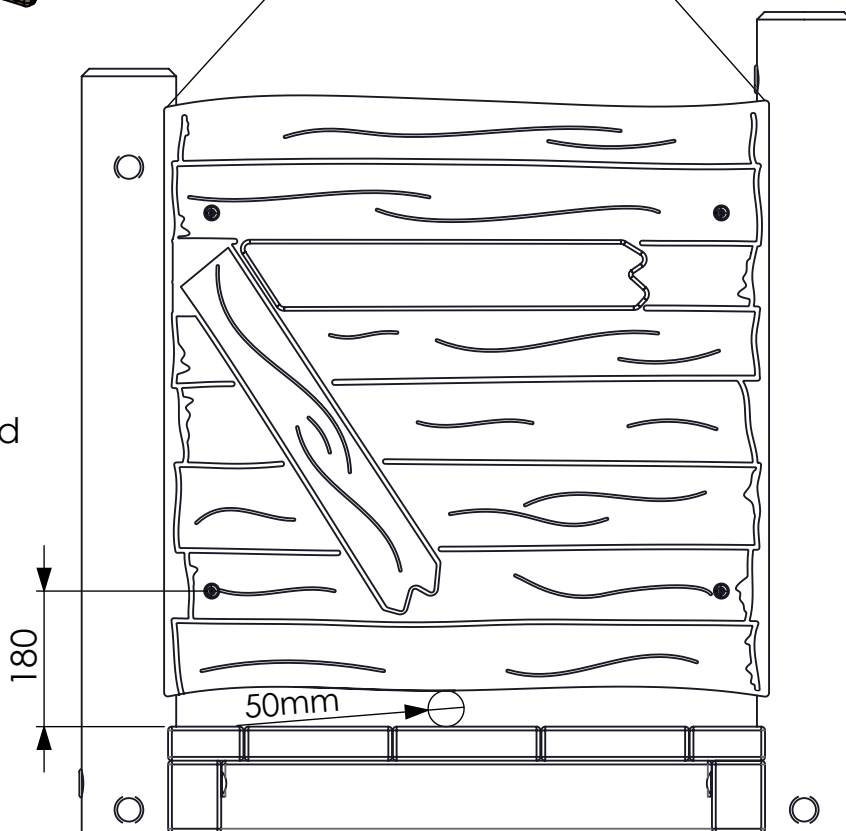


ITEM NO.	PART NUMBER	DESCRIPTION	QTY.
1	M1335	HDPE Bracket Modular Tower Unit	4
2	P0378	Rickety Broken Timber Effect Infill Panel 02	1

- P0378 to Main Unit Legs
- 4 no M1335 Panel Brackets
- 4 no M8 x 40mm Anti Tamper Bolts
- 4 no M8 x 75mm Coach Screw
- 4 no M8 Nyloc
- 12 no M8 Washers
- 8 no 2 Part Green Cap

Ensure an even gap between HDPE Panel and timber legs on both sides

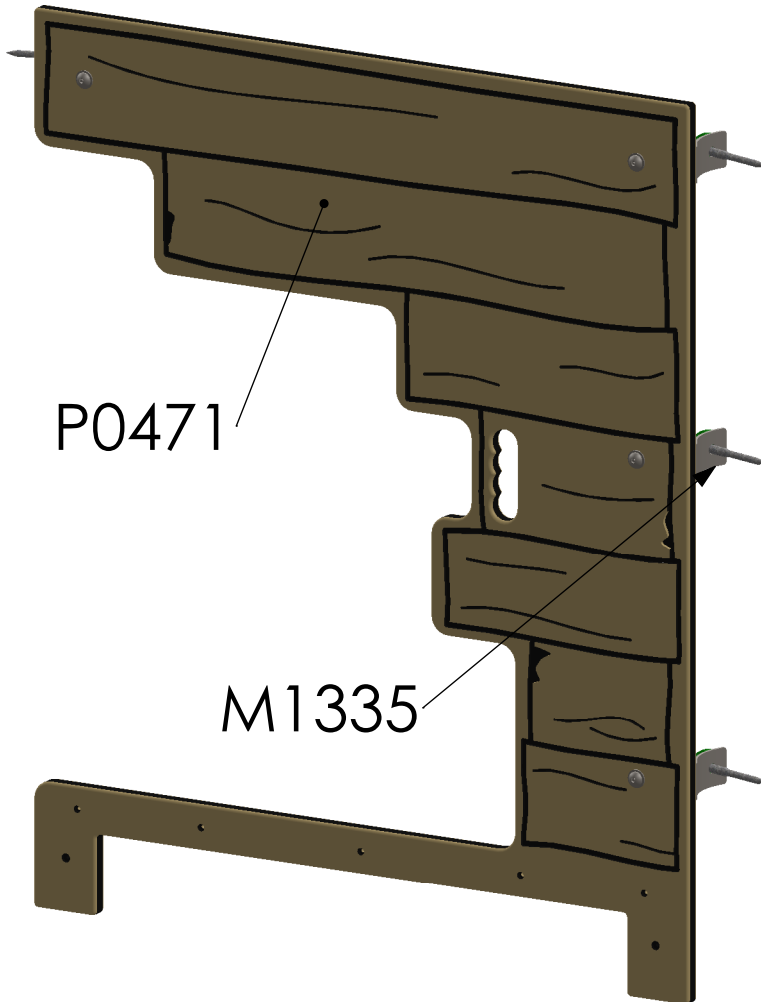
Ensure gap between bottom edge of infill panel and deck line is within entrapment guidelines 25>89mm
This needs the first fixing screw around 180mm up from Deck height



Statement of Compliance: AE Evans Ltd. manufacturers of children's playground equipment follow the codes and practices outlined in the British and European Standards. By doing this, all equipment for play areas manufactured by AE Evans meets the requirements of BSEN 1176 (general safety and test methods). Spares can be supplied via equipment distributor.

A0152 - 1 Sided Infill - Installation

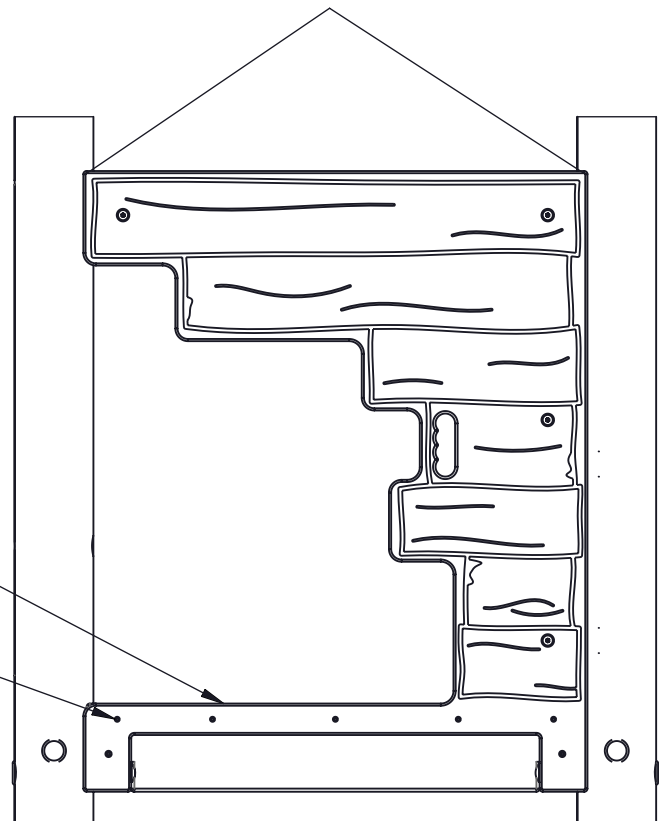
ITEM NO.	PART NUMBER	DESCRIPTION	QTY.
1	P0471	Rickety Timber Traverse Net LH Infill Panel	1
2	M1335		4



P0471 to Main Unit Legs

- 4 no M1335 Panel Brackets
- 4 no M8 x 40mm Anti Tamper Bolt
- 4 no M8 x 75mm Coach Screw
- 4 no M8 Nyloc
- 12 no M8 Washer
- 8 no 2 Part Green Cap
- 7 no 70mm Screws

Ensure even gap
both sides



Bottom edge of HDPE panel
should be flush with the top
of the timber deck

70mm screws pass into the deck planks.
Pilot drill before screwing to avoid cracking

