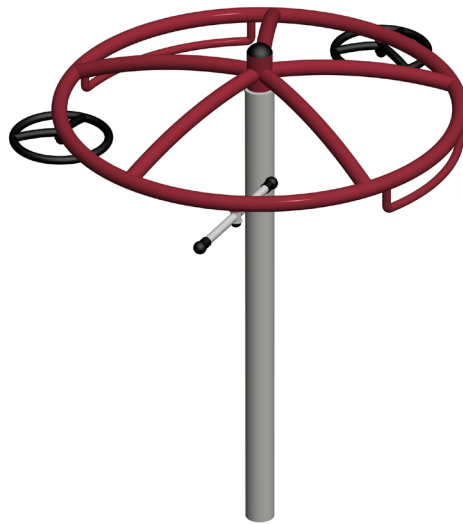


Whirlwind Rotator

QU92



7+



5



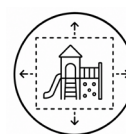
8hrs



500



25



5.6mx5.6m

The Whirlwind Rotator from Play and Leisure Ltd is an exciting multi-user spinning challenge that encourages children to work together while enjoying fast-paced rotational play. Featuring multiple handholds and standing positions, it allows several users to create their own spinning momentum, helping to develop balance, coordination, core strength, and spatial awareness. Its open design promotes social interaction and cooperative play, while the robust, low-maintenance construction ensures years of reliable performance. The Whirlwind Rotator is a thrilling playground feature that combines active movement, teamwork, and endless fun.

Key



Age Range



Number Of Users



Assembly Time



Free Fall Height



Impact Area



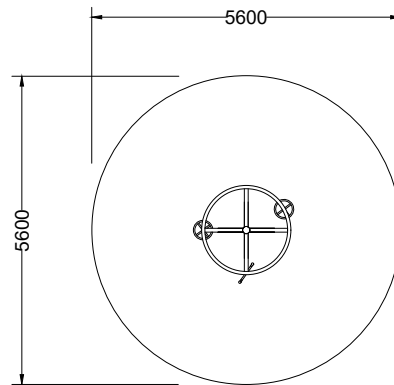
Wheelchair Accessible



Space Needed



For All Users



Specification	
Age Range:	7+ Years
Safety Area Width (mm):	5600
Safety Area Length (mm):	5600
Safety Area (m ²):	25
Free Fall Height (mm):	500
Assembly Time:	8 hrs
People For Installation:	2

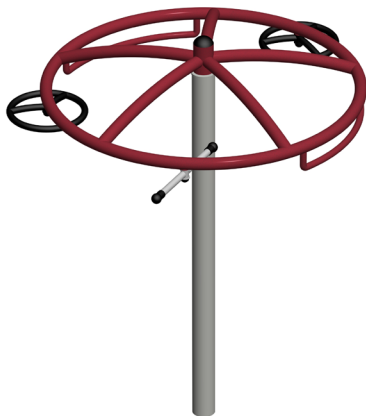
There shall be an additional area with a length of 500mm in the rotating direction (All Around) free from obstacles.



Hot-Dip Galvanising
Optional Extra



Inclusive Information



WORKING TOGETHER



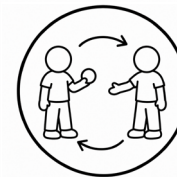
COMMUNICATING



SHARING



IMAGINATION



TURN-TAKING



SPINNING AND ROLLING

Guaranteed for product lifetime against structural failure



Guaranteed for 5 years

Guaranteed for 5 years



Guaranteed for 8 years

Guaranteed for 10 years



Guaranteed for 2 years

Guaranteed for 2 years



Guaranteed for 1 year

Play Panels + HDPE Products



For consumable parts:
- Beaters
- Cables



For electronic failure caused by manufacturing defects in:
- Speakers
- Sound chips
- Circuit boards



For mechanical failure caused by faulty workmanship or material defects in:
- Moving parts
- Standing and heavy duty springs



For defects resulting from the manufacture of:
- High density polyethylene sheets
- Structural steel components