

## Whirlwind - QU92

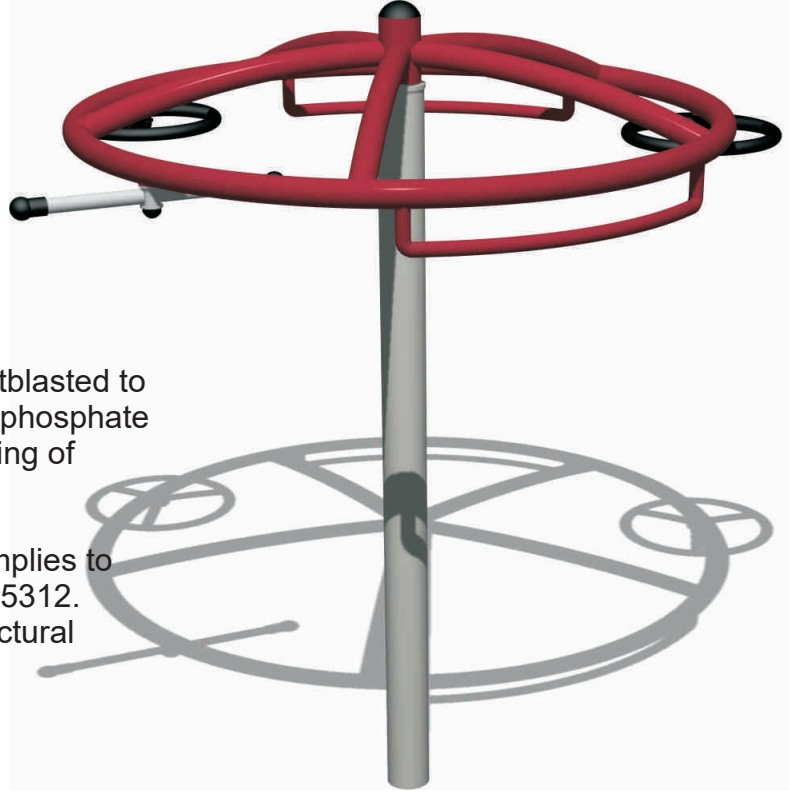
Steel sections are all mild steel to the relevant BS EN steel standards.

Fixings are mostly BZP, high tensile steel, hex head bolts with washers and Nyloc nuts.

### Coatings

All steel equipment made by Play & Leisure is shotblasted to SA 2.5 before a 60-micron thick epoxy based zinc phosphate primer is applied and finally a 70 micron thick coating of polyester powder.

All Play & Leisure Ltd's equipment & surfacing complies to BS EN 1176 parts 1-10, BS EN 1177 and BS EN 15312. Equipment is guaranteed for 25 years against structural failure.



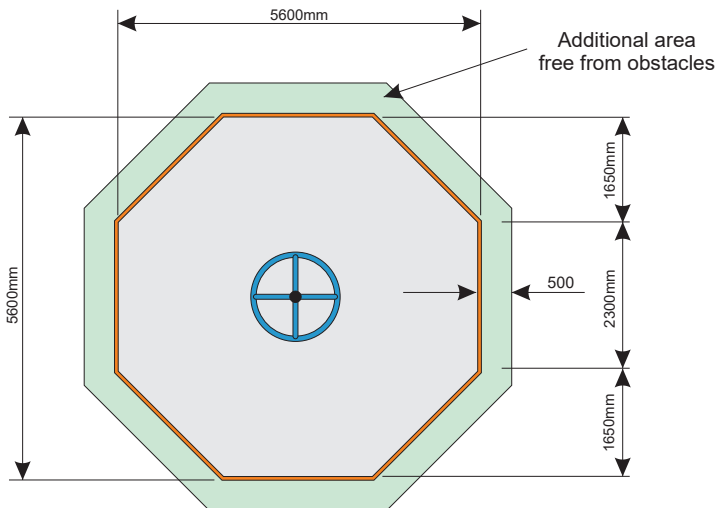
### INSTALLATION INSTRUCTION

1. Excavate area for the surfacing as shown in either Fig 1 or Fig 2(not required for grass mat)
2. Excavate hole and lower Vortex into position and level in all directions. See Fig 3 or Fig 4 depending on surfacing required
3. Pour in 0.45m<sup>3</sup> of low slump concrete and vibrate down with vibrating poker.
4. Re-check levels.

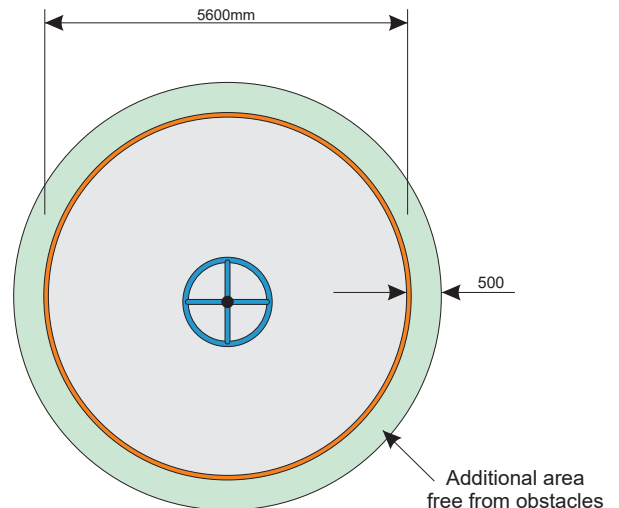
Do not leave unattended until satisfied the concrete has cured or the site is sufficiently secure.

On completion of the installation, a post-installation inspection should be carried out by a competent person to assess compliance with the relevant part(s) of BS EN 1176:2008.

### Surfacing Dimensions

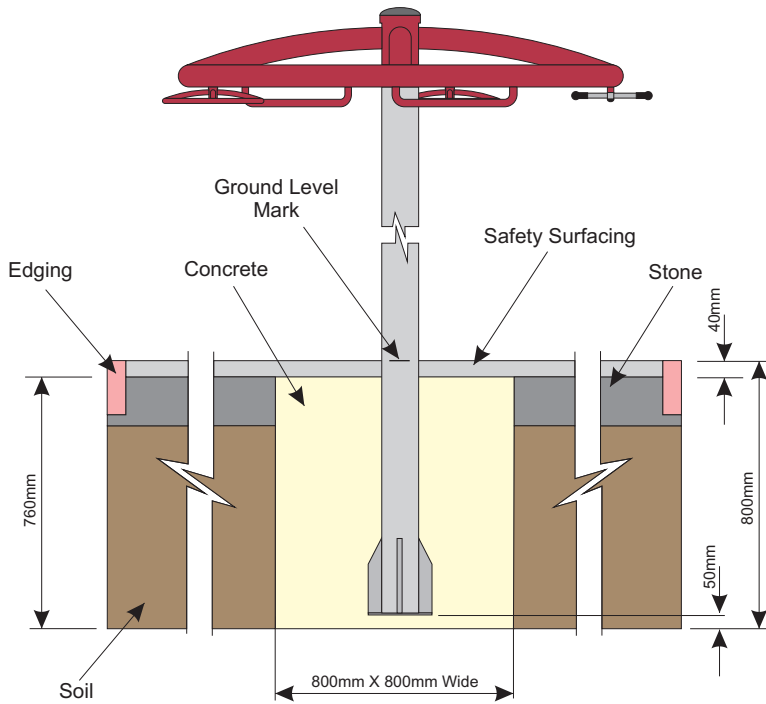


Hexagonal Base (fig 1)

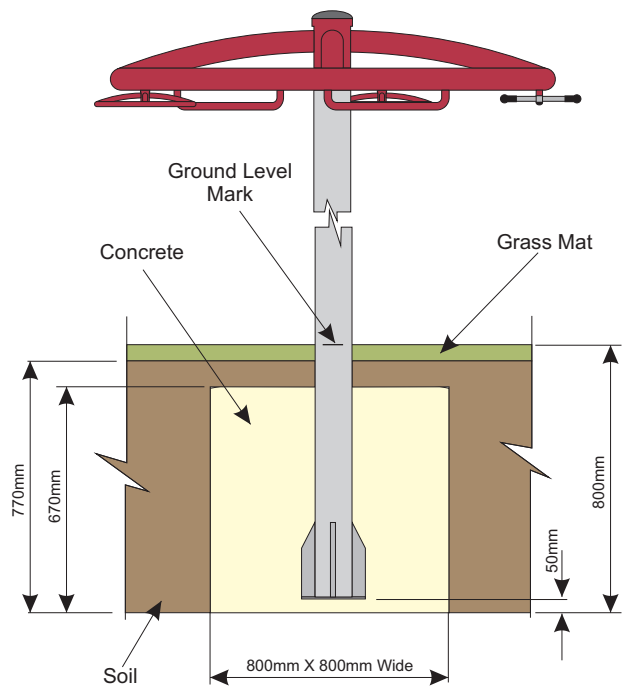


Circular Base (fig 2)

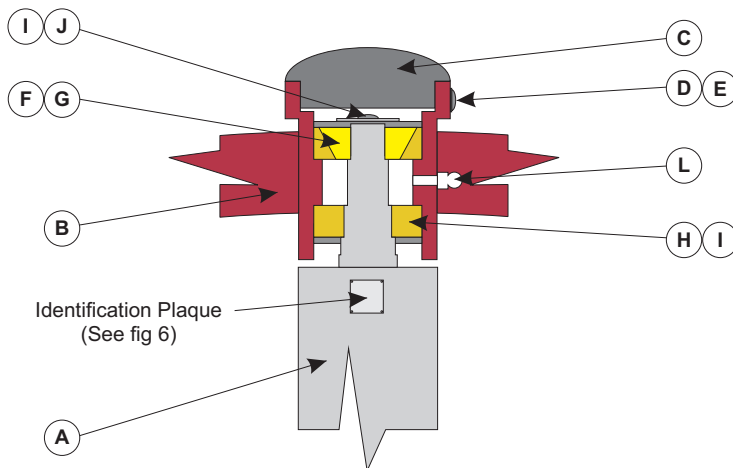
## Foundation Detail



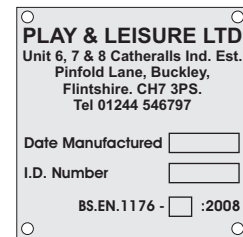
**Wetpour/Tile Surfacing(fig 3)**



**Grass Mat Surfacing(fig 4)**



**Bearing Assembly(fig 5)**

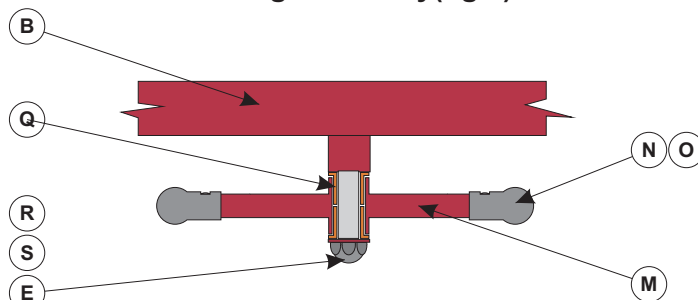


**Identification Plaque(fig 8)**

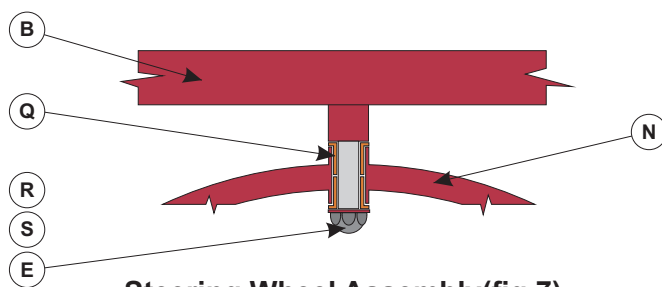
## Component List

Ref	Main Parts	Qty
A	Main Post	1
B	Top Ring	1
C	Cap	1
D	M10 x 20mm Resistorx Bolt	1
E	M10 Steel Washer	4
F	Top Bearing	1
G	Top Dust Seal	1
H	Bottom Bearing	1
I	Bottom Dust Seal	1
J	M10 x 40mm Bolt	1
K	Washer	1
L	Grease Nipple	1
M	Handle Bars	1
N	Handle Bar Grips	2
O	Grub Screw	2
P	Steering Wheel	2
Q	Oilite Bush	6
R	M10 x 30mm Resistorx Bolt	3
S	Bolt Cap	3

Please note : Items are pre-assembled upon delivery.



**Handlebar Assembly(fig 6)**



**Steering Wheel Assembly(fig 7)**

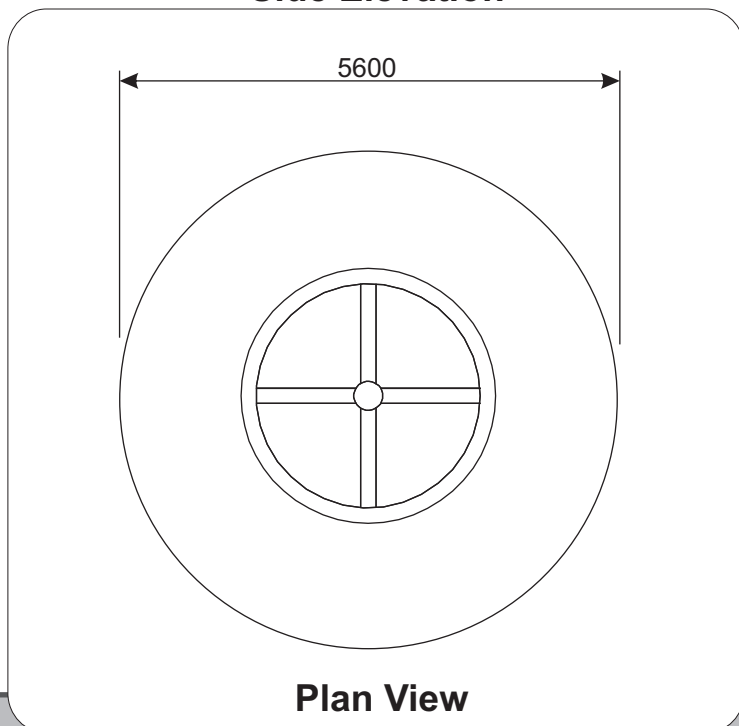


✓ All Play & Leisure's product range is fully compliant with **BS EN 1176:2008**

### Technical AT-A-GLANCE

<b>Product Code</b>
QU92
<b>Equipment Size</b>
1600L x 1600W x 2200H
<b>Minimum Space</b>
5600 x 5600
<b>Free Height of Fall</b>
500
<b>Safety Surface Area</b>
25m <sup>2</sup>

Side Elevation



## Maintenance & Inspection

The Vortex should be inspected and maintained in accordance with the recommendations as detailed in BS EN 1176-7:2008

If any part of the equipment is found to be unsafe during an inspection and cannot be immediately rectified the equipment should be protected against further use.

## Routine Visual Inspection.

Routine visual inspections are to be conducted to identify obvious hazards resulting from vandalism, use or weather conditions. e.g. Hazards such as broken parts or broken bottles.

## Operational Inspection.

To reduce accidents the operator should ensure an appropriate routine maintenance schedule is established, implemented and maintained. Inspection shall be carried out on a monthly basis, although consideration should be taken regarding local conditions and usage.

During a operational inspection the following should be included:

- Tightening of fastenings.
- Re-painting and re-treatment of surfaces.
- Maintenance of any impact attenuating surfaces.
- Lubrication of bearings via grease nipple. See Fig 5. Care must be taken when greasing to avoid overfilling.
- Marking of equipment to signify loose fill finished surface levels.
- Cleaning.
- Removal of broken glass and other debris or contaminants.
- Restoring loose fills to the correct level.
- Maintenance of free space areas.

## Annual Main Inspection (NOT EXCEEDING 12 MONTHS)

Inspection intended to establish the overall level of safety of equipment, foundation and playing surfaces.

- Effects of weather.
- Rotting or corrosion.
- A change in the level of safety of the equipment as a result of repairs made, or of added or replaced components

## One Post Equipment Maintenance.

Special attention should be paid to the stability of the Vortex due to it being of a one post design.

## Corrective Maintenance.

Corrective maintenance should include measures to correct defects, or to-establish the necessary levels of safety of the playground equipment and surfaces. Such measures should include:

- Replacement of fastenings.
- Welding or welding repairs.
- Replacement of worn or defective parts.
- Replacement of defective structural components.

## Equipment Alterations.

Alterations to parts of the Vortex that could affect the essential safety of the equipment should only be carried out after consultation with Play and Leisure.

## Equipment Identification

Information regarding the manufacturer, I.D. Number, year of manufacturer and the European Standard is displayed on a plaque at the base of the Vortex(see fig 5)

Issue. No.	<input type="text" value="1"/>	Created By:	<input type="text" value="S. Adams"/>	Date:	<input type="text" value="19/09/11"/>	Signed:	<input type="text" value="Simon K. Adam"/>
Issue. No.	<input type="text"/>	Created By:	<input type="text"/>	Date:	<input type="text"/>	Signed:	<input type="text"/>
Issue. No.	<input type="text"/>	Created By:	<input type="text"/>	Date:	<input type="text"/>	Signed:	<input type="text"/>