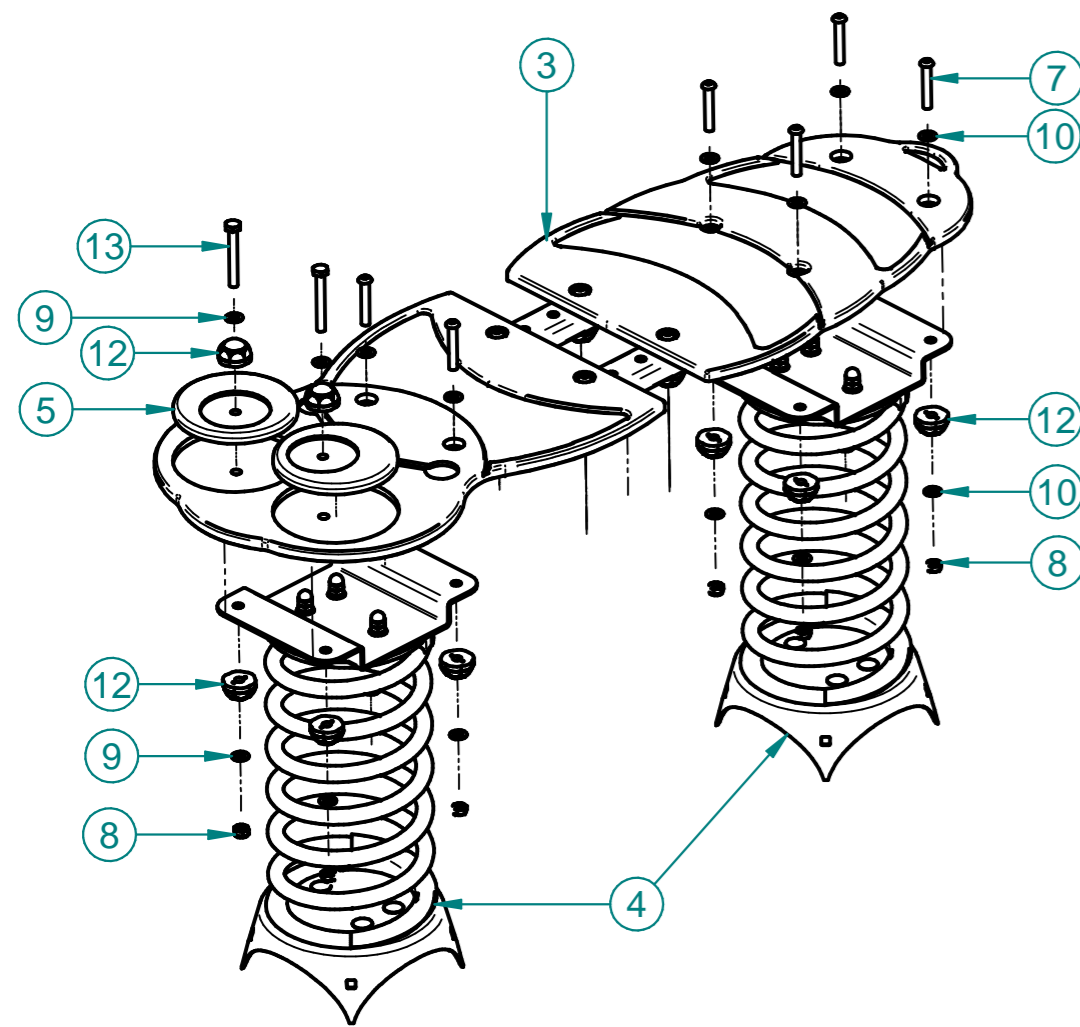
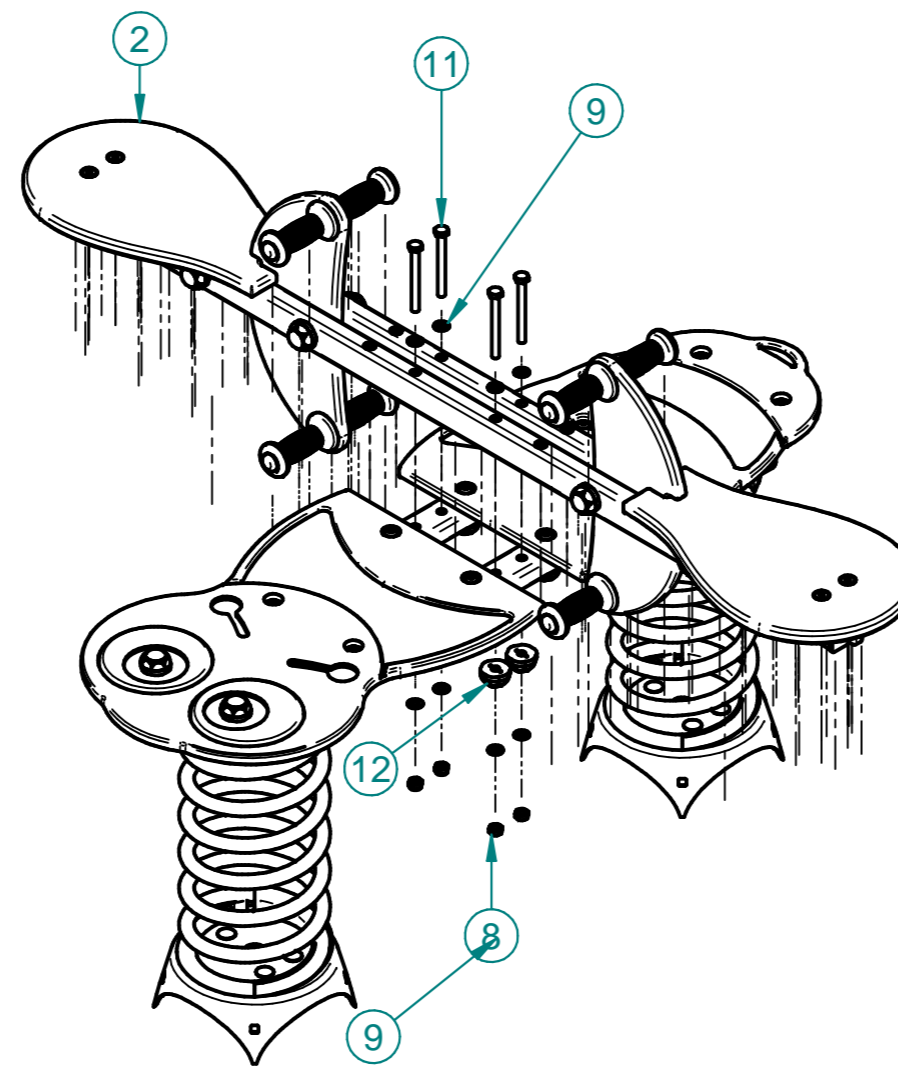


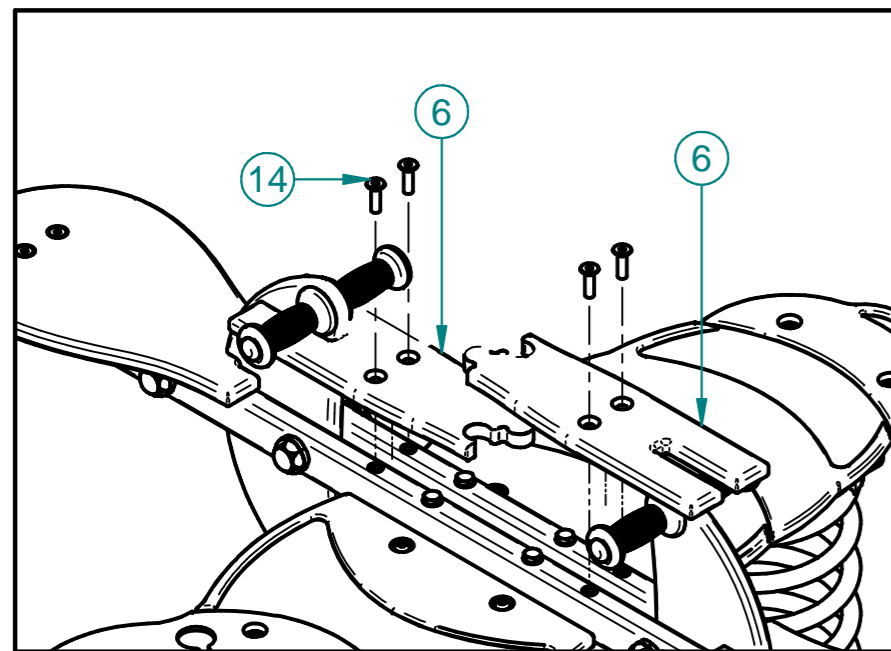
FSSSBEE - Belle the Bumblebee Spring Seesaw - Installation Instructions



1. Attach the two pre-assembled springs to the Seesaw Cross Section Assembly.

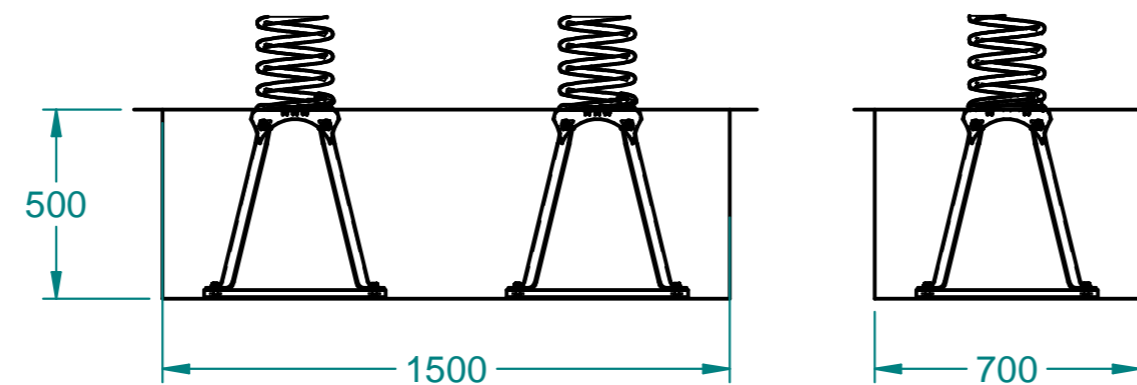


2. Bolt the Seesaw Seat Assembly to the Body Section Assembly using fixings shown.

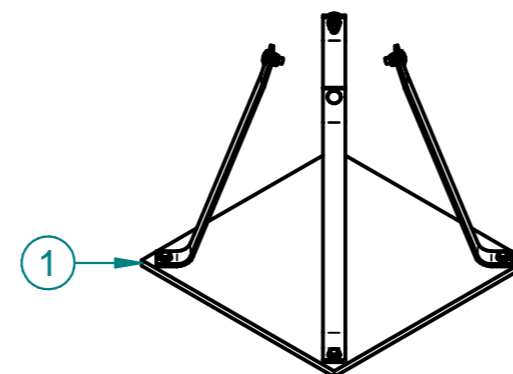


3. Bolt the 2x Jigsaw top covers over the Fixings used in step 2 as shown above.

Foundation Excavation Details for Back-Fill



4. Assemble Ground Anchors and bolt to the bottom bracket of the pre-assembled springs.



Ground Anchor kit supplied as loose components with fixing pack and instructions.

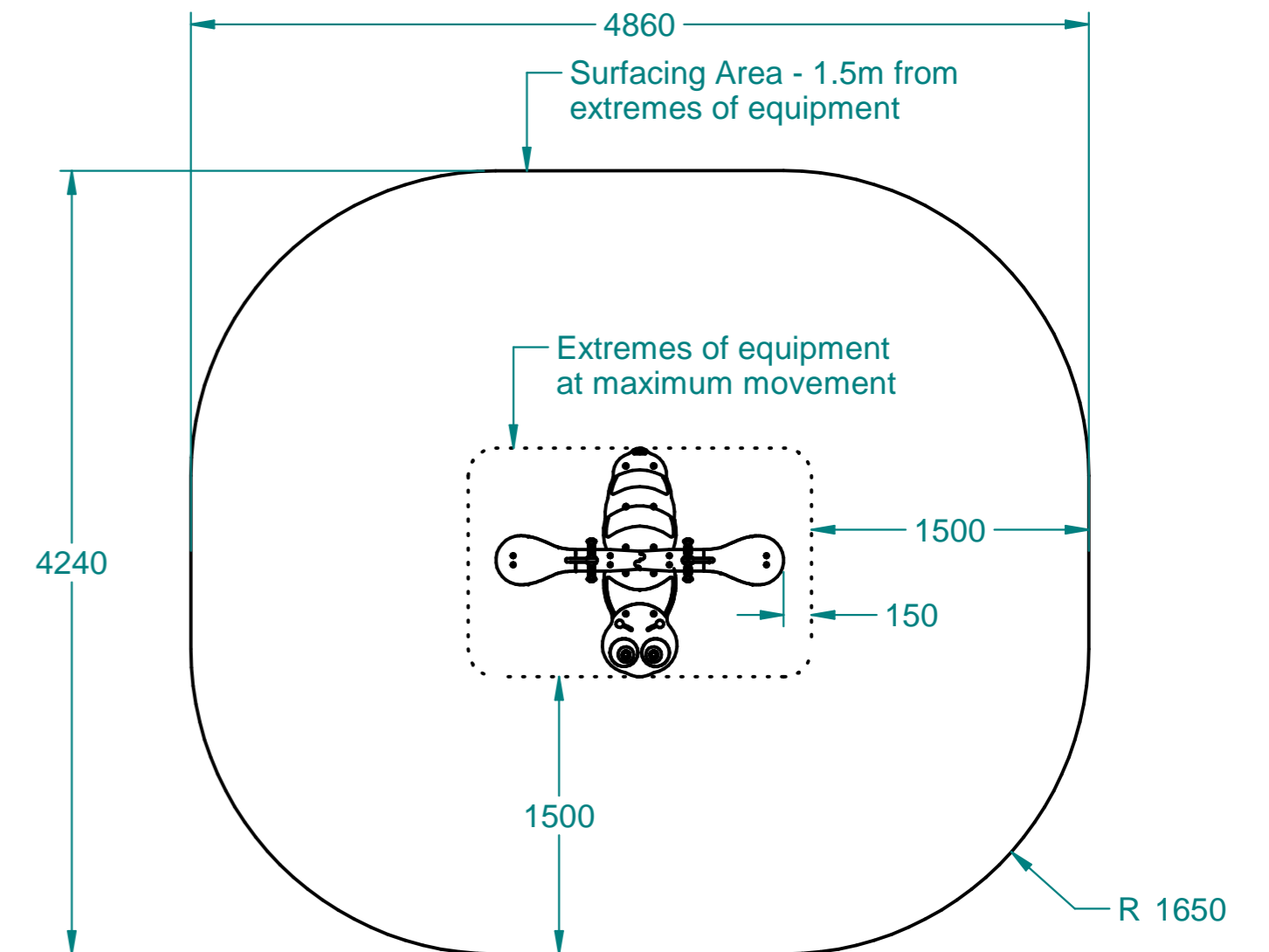
Please refer to document:
FI-GA-GI-2013-A EGA Ground Anchor Installation Guide
for specific footing details.

This product should be inspected by a competent person who is familiar with BS EN 1176 to the below maintenance and inspection schedule.

Maintenance Inspection

FREQUENCY	WHAT TO DO
VISUAL INSPECTION (EVERY MONTH)	Identify any risks stemming from vandalism, intensive use or unusual weather
	Check for missing or broken parts
	Make sure that all protective covers are in place Inspect surfacing below and around equipment
FUNCTIONALITY INSPECTION (EVERY MONTH)	Check that the equipment, or the part concerned is operating correctly
	Check all fixings, joints and stability of the equipment and tighten or replace if necessary
	Check all parts for wear and tear and replace if necessary Thorough cleaning of equipment and any stainless steel parts with water and detergent
COMPREHENSIVE INSPECTION (EVERY 6 MONTHS)	All of the above plus:
	Inspect the anchoring system
	Inspect any moving, mechanical and electrical parts are operating correctly
	Check overall condition of any paintwork or galvanizing – repaint / touch up if necessary

Surface Area: 18.25 sqm
Free Fall Height: 0.78m



Parts List

Item	Code	Description	Qty
1		Ground Anchor Kit	2
2		Seesaw Seat Assembly	1
3		Seesaw Body Assembly	1
4		Spring Assembly - 400mm HD	2
5	FPL2273-B	Eye - Bolt On - Dia 150 x 12.5mm -	2
6	FPL2277-C	Seesaw Centre Jigsaw Wing Panel	2
7	FSU0005-A	M10 x 60mm Button Head Bolt - SS	6
8	FSU0009-A	M10 Nylock Nut - ZP	12
9	FSU0014-A	M10 Washer - ZP	12
10	FSU0031-A	M10 Washer - SS	12
11	FSU0099-A	M10 x 100mm Hex Head Bolt - ZP	4
12	FSU0100-A	M10 Two Piece Security Cap - Flower	14
13	FSU0115-A	M10 x 80mm Hex Head Bolt - ZP - Full	2
14	FSU0197-A	M10 x 35mm CSK Bolt - SS	4



Approx. Unit Weight: 78kg

Seesaw Seat Assembly: 20kg
Seesaw Cross Section Assembly: 12kg
Spring Assembly: 20kg
Ground Anchor Kit: 3kg

Modification	Date	Approved
Replaces FI-SS-GI-2013-A	24/09/15	RW
Updated Falling Space	28/01/16	RW
Updated Fixings	01/03/17	RW
Foundation Details Added	20/04/17	RW

Spitfire Road, Old Sarum, Salisbury
Wiltshire, SP4 6GB, UK
Tel: +44 (0)1722 349 793
www.fahr-industries.com

Fahr Industries Ltd

This document, including the copyright therein, is the property of Fahr Industries Ltd and may not be utilised for any purpose or reproduced, or transmitted to any third party without prior written consent.

All Dimensions in mm	1 of 1	Not To Scale
Drg By	Richard Willstrop	Date
		28/01/2015