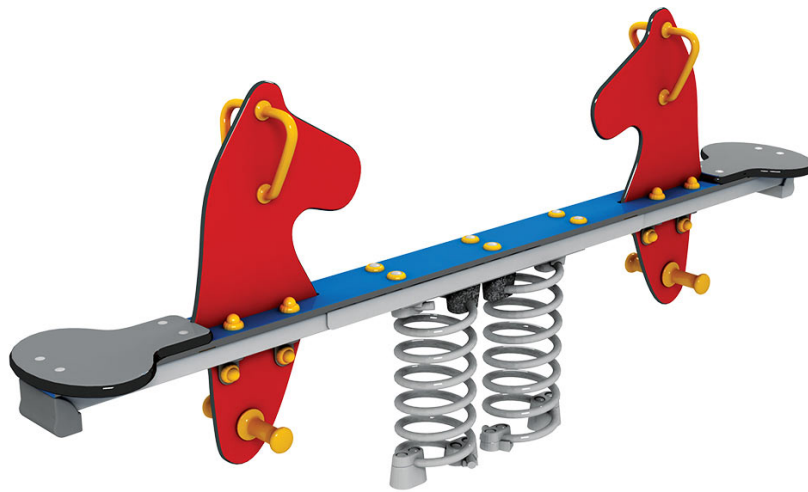


**Horse**

ESS24



**3+**



**2**



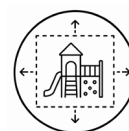
**2hrs**



**810**



**16**



**5.1mx3.28m**

The Horse See Saw from Play and Leisure Ltd is a modern take on the traditional playground classic, combining the familiar up-and-down motion children love with a fun horse-themed design. Mounted on twin springs rather than a central pivot, it provides a smoother, more dynamic riding experience while still encouraging cooperation, balance, coordination, and social interaction between users. The eye-catching design adds imaginative play value, making the Horse See Saw a durable and engaging playground feature that delivers all the nostalgia of a traditional seesaw with a contemporary twist.

**Key**



Age Range



Number Of Users



Assembly Time



Free Fall Height



Impact Area



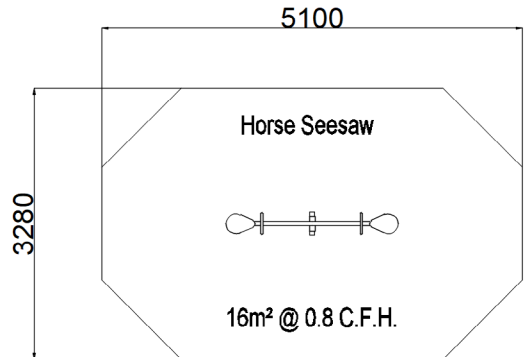
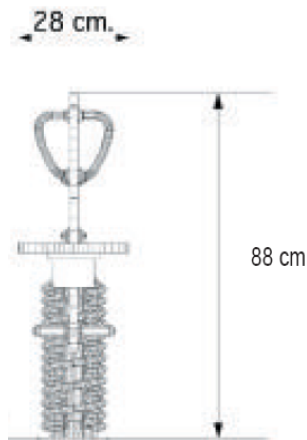
Wheelchair Accessible



Space Needed



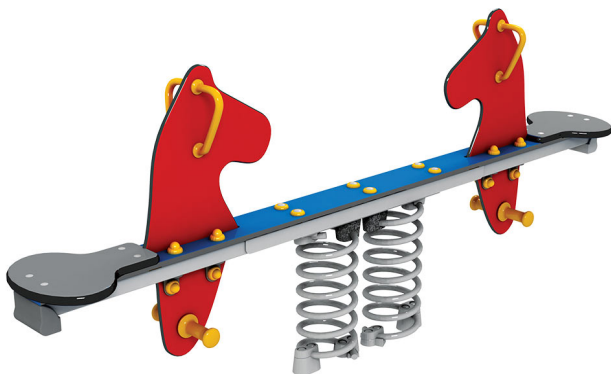
For All Users



Specification	
Age Range:	3+ Years
Safety Area Width (mm):	5100
Safety Area Length (mm):	3280
Safety Area (m²):	16
Free Fall Height (mm):	810
Assembly Time:	2 hrs
People For Installation:	1



## Inclusive Information



WORKING TOGETHER



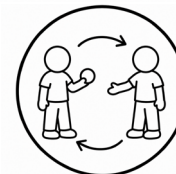
COMMUNICATING



SHARING



IMAGINATION



TURN-TAKING



SWINGING / ROCKING

Guaranteed for product lifetime against structural failure



Guaranteed for 5 years

Guaranteed for 5 years



Guaranteed for 8 years

Guaranteed for 10 years



Guaranteed for 2 years

Guaranteed for 2 years



Guaranteed for 1 year

## Play Panels + HDPE Products



For consumable parts:  
- Beaters  
- Cables



For electronic failure caused by manufacturing defects in:  
- Speakers  
- Sound chips  
- Circuit boards



For mechanical failure caused by faulty workmanship or material defects in:  
- Moving parts  
- Standing and heavy duty springs



For defects resulting from the manufacture of:  
- High density polyethylene sheets  
- Structural steel components