

Parts List		
ITEM	QTY	PART NUMBER
1	1	Surf Rider Top Assy'
2	2	M10x60 BUTTON SS
3	6	M10x70 BUTTON SS
4	16	M10 WASHER SS
5	8	DONUT FLOWER BASE
6	8	M10 NYLOC NUT SS
7	8	DONUT FLOWER CAP - Yellow
8	2	300mm Spring Mid' Assy'
9	2	Ground Anchor Set EGA500

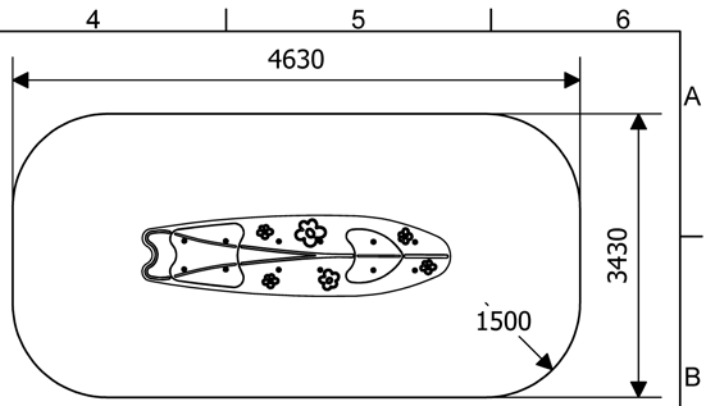
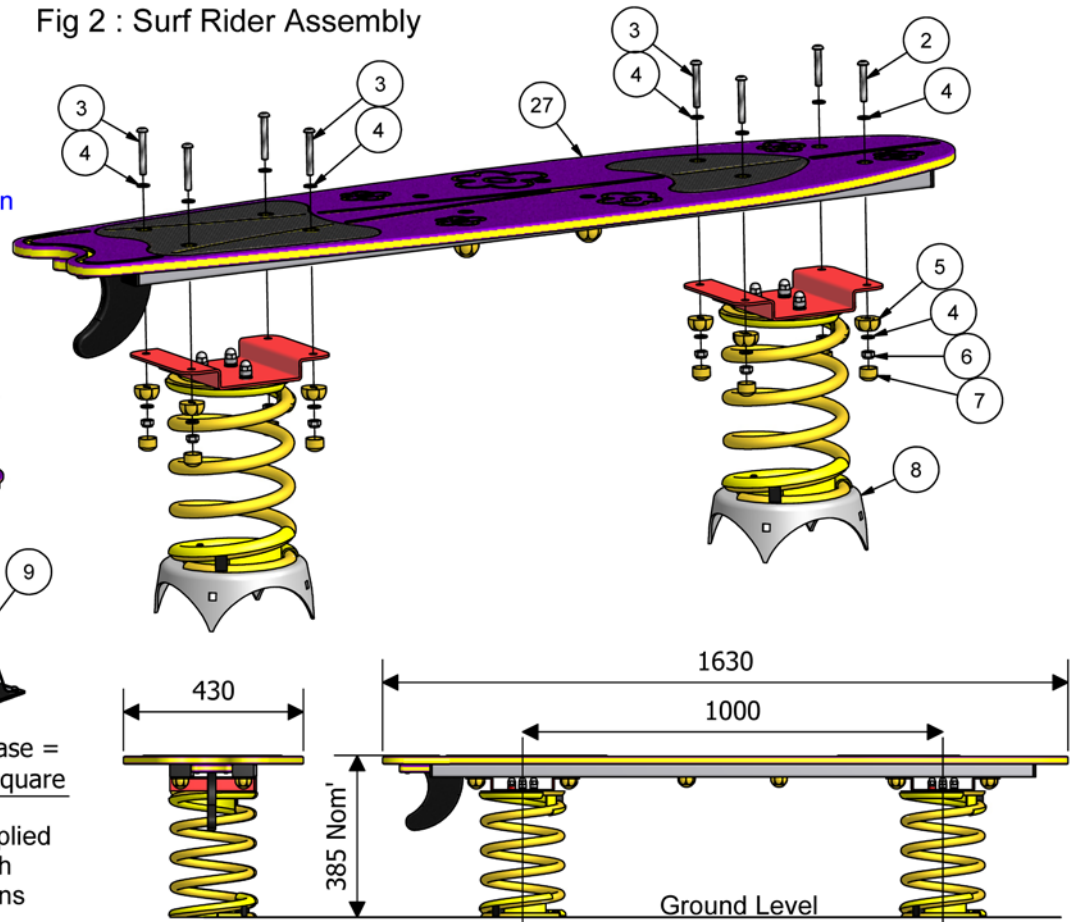


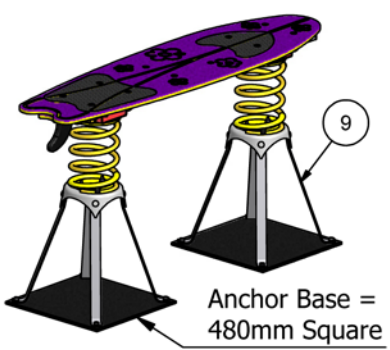
Fig 1 : Safety Zone (Not to Scale)

Fig 2 : Surf Rider Assembly



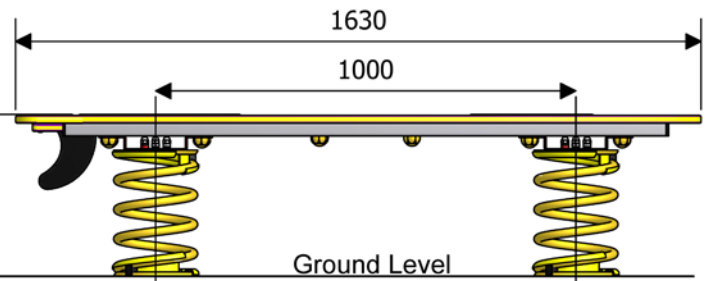
** Please note that although graphical representation may differ from actual Surf Rider Springer supplied, this documentation is common to all Fahr Surf Riders

Fig 3 : Full Overview



Anchor Base = 480mm Square
Ground Anchors are supplied as loose components with Fixing Packs & Instructions

Fig 4 : Ground Level Dimensions



Product Features	
Type	Information
Age Range	5+ Years
Free Fall Height	Less than 0.4m
Maximum Mass	Top Assy' =22Kg Spring Assy' = 12Kg each
Tooling Required	M10 Spanners & Allen Key
Spare Parts Available ?	Yes - Off the shelf items
Year of Manufacture	2013
TUV Certified	Yes

Product Inspection

This product should be inspected by a competent person who is familiar with BS EN 1176 to the following inspection schedule :

Minimum Inspection Schedule	
Inspection Type	Inspection Frequency
Visual	Every Month
Functionality	Every 6 Months
Comprehensive	Every 12 Months



Title **Surf Riders Installation Guide**

FI-SR-GI-2013-A

Fahr Industries Ltd, Spitfire Road, Old Sarum, Salisbury, Wilts. SP4 6GB
Tel: 01722 349793 Fax: 01722 349792 Email: info@fahr-industries.com Web: www.fahr-industries.com