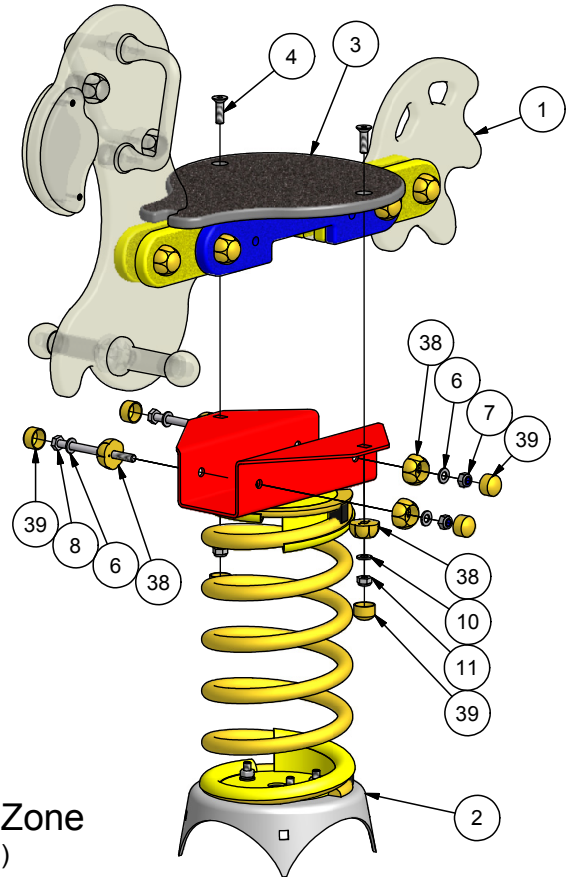


Parts List		
ITEM	QTY	PART NUMBER
1	1	Sit-on Springer Top Assy'
2	1	400mm Sit-On Spring Assy'
3	1	Polydek Sit-on Seat
4	2	M10x35 COUNTERSINK SS
5	6	DONUT FLOWER BASE
6	4	M10 WASHER ZP
7	2	M10 NYLOC NUT ZP
8	2	M10x130 Hex Bolt ZP
9	6	DONUT FLOWER CAP
10	2	M10 WASHER SS
11	2	M10 NYLOC NUT SS
12	1	Ground Anchor Set EGA500

** Please note that although graphical representation may differ from actual springer supplied, this fixing pack documentation is common to Fahr Sit-on Springers with the exception of Space Rider (FS1010) & Prancer (FS1011) which have their own specific details

Fig 1 : Sit-on Springer Assembly



Product Features	
Type	Information
Age Range	2-7 years
Free Fall Height	Less than 0.6m
Maximum Mass	Top Assy' = 10Kg Spring Assy' = 13Kg
Tooling Required	M10 Spanners & Allen Key
Spare Parts Available ?	Yes - Off the shelf items
Year of Manufacture	2013
TUV Certified	Yes

Fig 2 : Maximum Unit Size

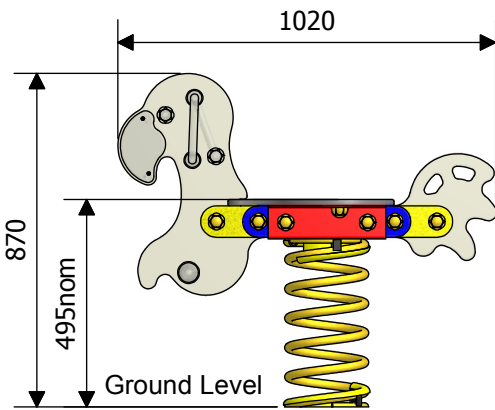


Fig 3 : Safety Zone
(Not to Scale)

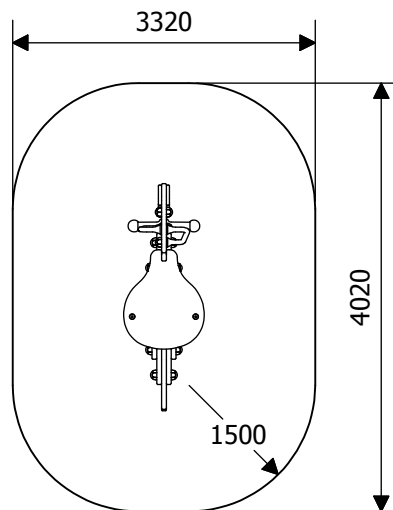
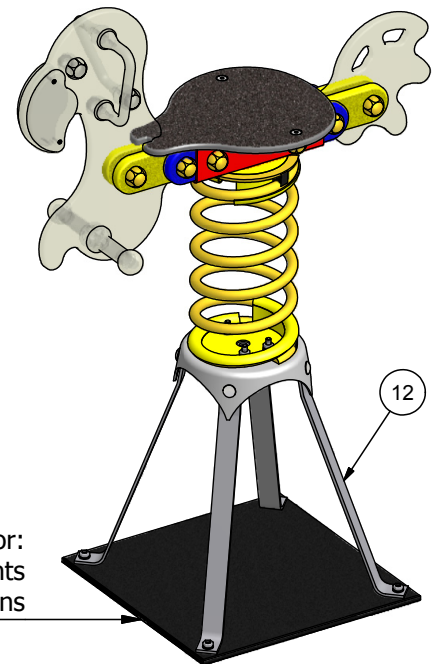


Fig 4 : Full Overview



Product Inspection

This product should be inspected by a competent person who is familiar with BS EN 1176 to the following inspection schedule :

Minimum Inspection Schedule	
Inspection Type	Inspection Frequency
Visual	Every Month
Functionality	Every 6 Months
Comprehensive	Every 12 Months

Ground Anchor:
Supplied as loose components
with Fixing Pack / Instructions



Title **Sit-on Springer Installation Guide**

FI-SOS-GI-2013-A

Fahr Industries Ltd, Spitfire Road, Old Sarum, Salisbury, Wilts. SP4 6GB
Tel: 01722 349793 Fax: 01722 349792 Email: info@fahr-industries.com Web: www.fahr-industries.com