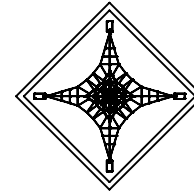
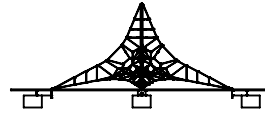


# 6.0m Active 6000 Installation Instructions

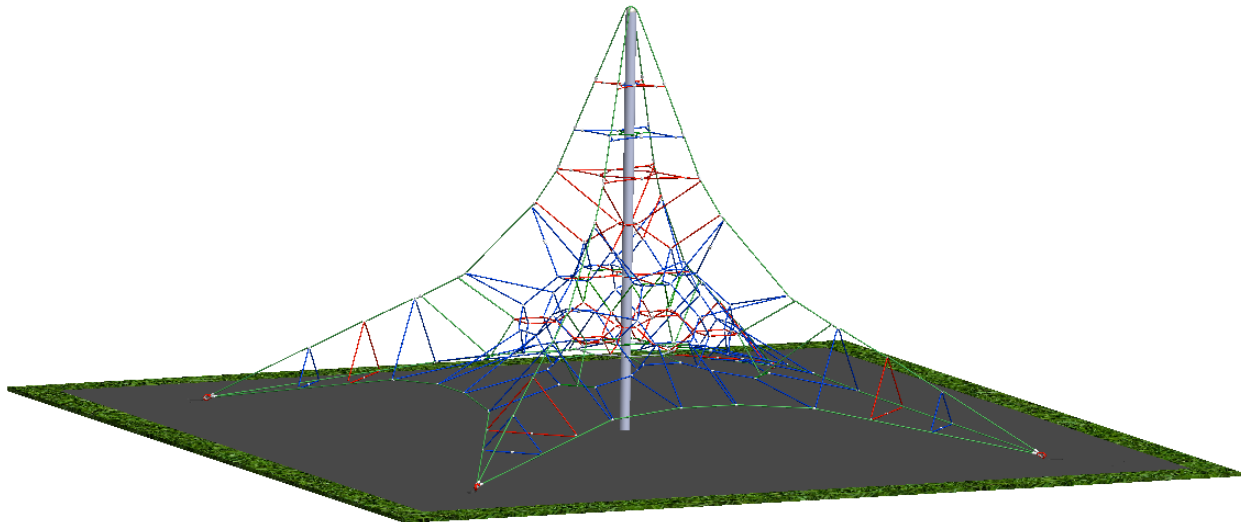
Rubber Safety Surface



## Product Overview

The **Active 6000** Activity Net has been designed to be used by children from 5 years of age and has been manufactured to exceed the European Playground Standard BS-EN 1176-1(2008).

The following installation instructions should be adhered to in order that the equipment functions in a safe manner.

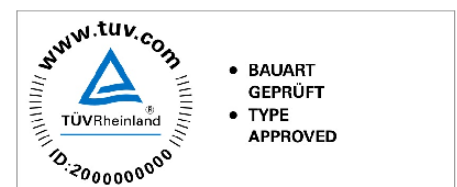


## Contents

Space requirements	<b>Page 2</b>
Free height of fall	<b>Page 2</b>
Installation Instructions	<b>Page 2</b>
Foundation Requirements	<b>Page 3</b>
Foundation Setting	<b>Page 4</b>
Excavation & Positioning	<b>Page 5</b>
Assembly Instructions	<b>Page 6</b>
Maintenance & Contact Details	<b>Page 7</b>

## Special Points of interest

- Polished stainless steel mast with solid aluminium dome.
- 18mm diameter Nylon braided rope with steel re-enforcement.
- Galvanised foundation steelwork.
- Netform 'HD' aluminium rope connecting system.
- Low Maintenance





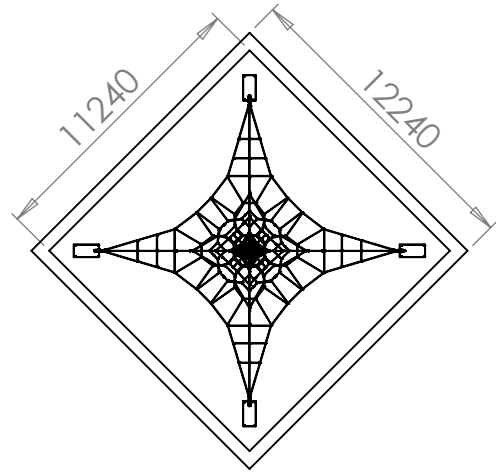
## Space requirements & Safety Clearances

The requirements for space and safety clearances are extracted from the following standards BS-EN1176-1

BS-EN1176-1 Section 4.2.8 **Zones**  
BS-EN1176-1 Section 4.2.8.2.3 **Free space**

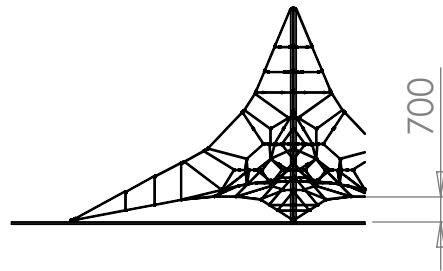
The equipment should be situated to allow 2.0m free space from the edge of the product at ground level. This translates into a 12.24m square. Total area required based on square layout is 149.82m<sup>2</sup>.

*Finished assembly showing the recommended safety zones*



## Free Height of fall

The maximum height at which a child can stand, and fall unimpeded is 700mm, the highest point on the perimeter rope. This is considered to be the free height of fall according to BS-EN 1176 part 11 section 4.3 and therefore a 11.24m square safety surface is needed.



## Installation instructions

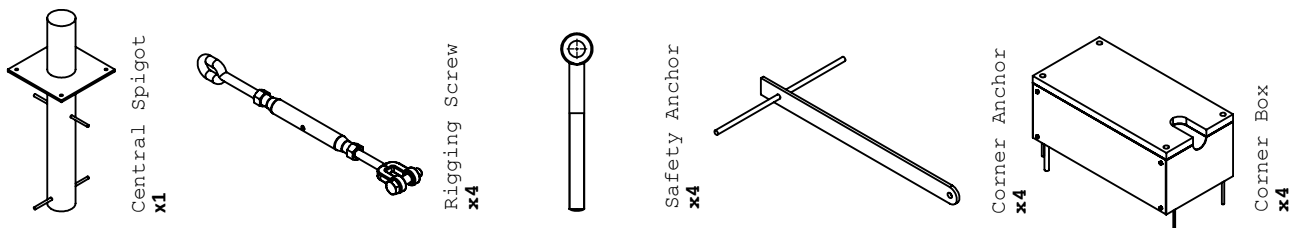
The **Active 6000** Activity Net is delivered in three sections.

Section One is the polished stainless steel mast which is to be mounted over the central spigot of the foundation steelwork leaving the top of the mast to accept the aluminium dome. This is attached to the top of the net.

Section Two is the net, complete with aluminium dome to be inserted into the top of the mast.

Section Three is the foundation steelwork. This comprises of four galvanised corner anchors, one central galvanised spigot and four safety anchors. The package will also contain four rigging screws for attaching and tensioning the net at each corner to the foundation steelwork.

Section Four is the galvanised corner boxes in flat pack form.





## Foundation requirements

### General

This net has been designed to allow a rubber safety surface to be used in conjunction with corner boxes. The surface thickness should be based on the CFH of 700mm. The boxes are supplied with a tile glued to the lid, this ensures the finished ground level is the required 400mm above the concrete.

It is recommended the area is prepared accordingly prior to commencing installation of the net.

### Equipment & Tools

The following equipment is recommended to assist in the accurate installation of the foundation anchors.

- 1) Laser Level
- 2) 20m Measuring Tape
- 3) JCB Excavator
- 4) Set Timber
- 5) Manual Tools: Spade, Sledge Hammer, Claw Hammer & Nails

### Time Management

Day One:

- 1) Set out the Area
- 2) Accurately Position and Excavate Holes
- 3) Secure Central & Corner Foundation positions for concreting

Day Two:

- 1) Concrete Steelwork

Day Three\*:

- 1) Final erection of Activity Net
- 2) Laying of Rubber safety surface material

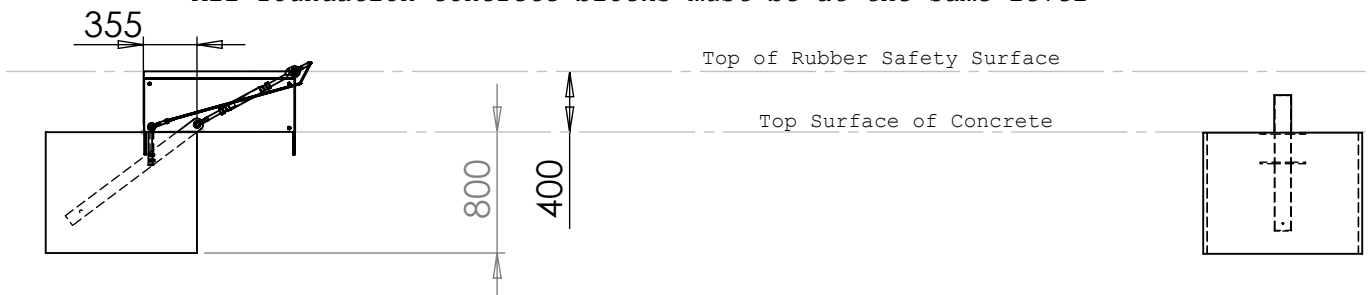
***\*The foundation should be left for approximately seven days to achieve maximum strength prior to assembling the remaining elements.***

## Foundation Procedure

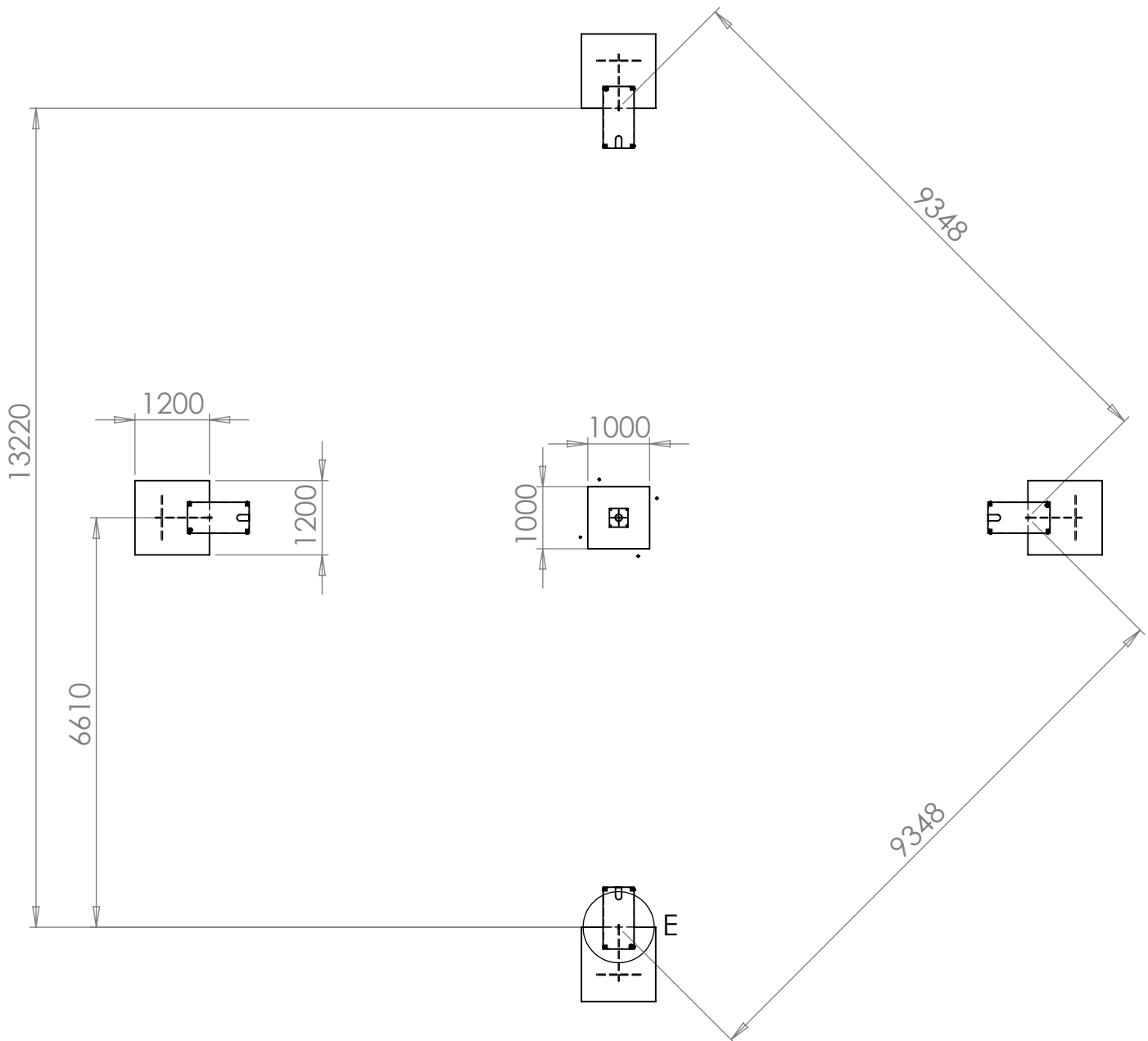
### Setting Out

There are a total of Five holes that need to be excavated. These include one centre holes (the final position of the central mast) and four holes at each corner (the net will be attached to the subsequently concreted corner anchors by means of rigging screws supplied).

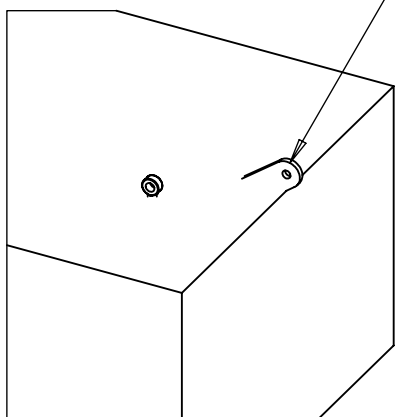
*All foundation concrete blocks must be at the same level*



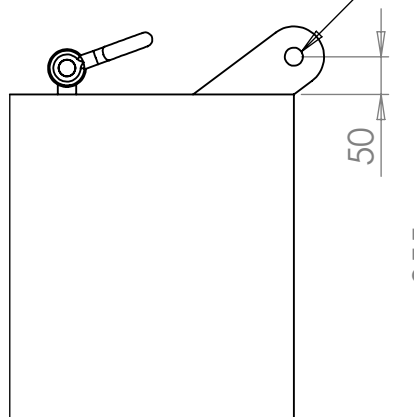
It is important to maintain 400mm between the finished surface level of the safety surface and the top surface level of the concrete. Once the correct position of the holes has been marked prior to excavation, The use of a datum peg is recommended in order to easily relocate the exact foundation position (both horizontally and vertically) which was originally established during setting out.



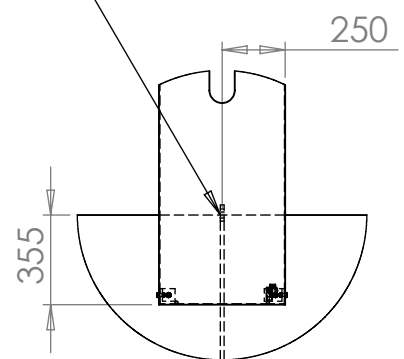
All Dimensions to the centre of the hole in the anchor.



The eye of the anchor is directly over the front of the concrete block.



All dimensions to the centre hole of the anchor.



**Corner Foundation Hole:** 1200x1200x800    **Centre Foundation Hole:** 1000x1000x800



## Excavation & Foundation Positioning

### Procedure

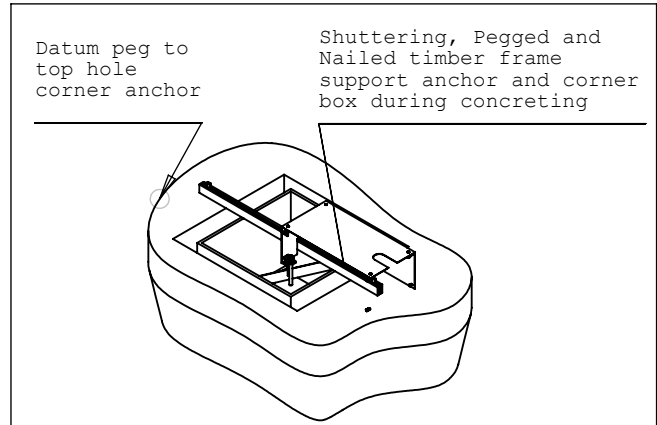
In loose ground, it may be necessary to use timber framework (or shuttering) to prevent soil falling into the hole. It will also prevent an unnecessary excess volume of concrete being used.

Concrete to be in 30/N mm<sup>2</sup> mix.  
Total volume required: 5.408 cubic metres.

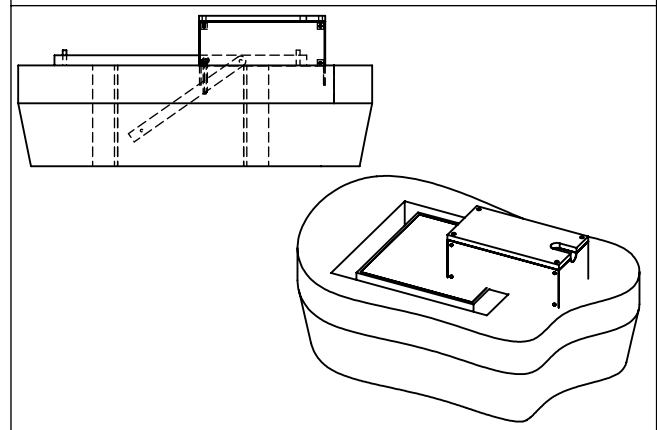
When Installing the four corner anchors, and associated safety anchors, it is extremely important to ensure the eyes of the anchor and are held securely during concreting to minimise any movement.

Install the centre foundation spigot. Use bolted temporary timber supports to suspend and secure the anchor during concreting.

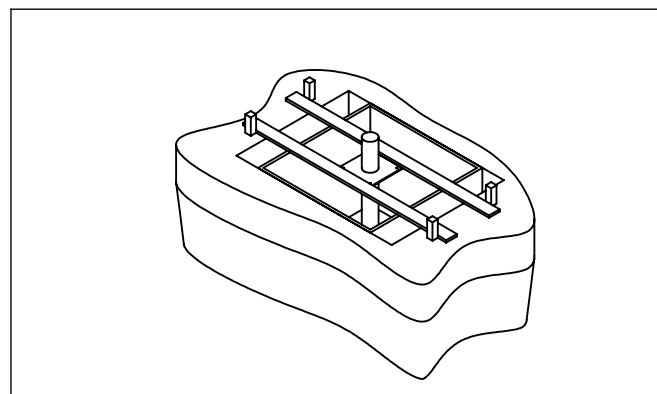
*Note:*  
*To easily remove the support timbers following concreting, secure the timbers by bolting from the underside of the spigots top plate.*



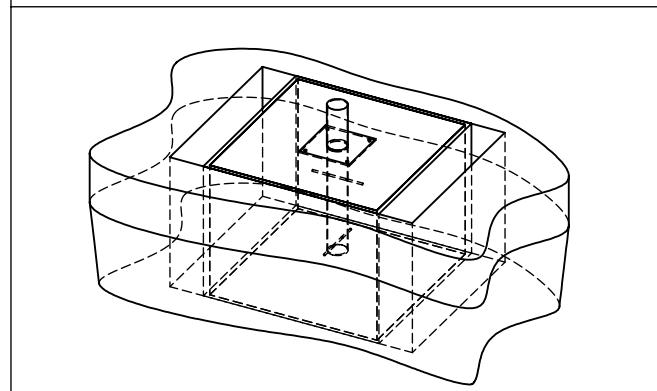
Corner Before Concreting



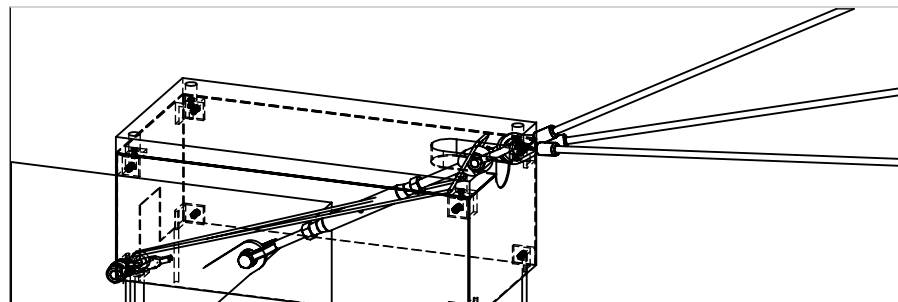
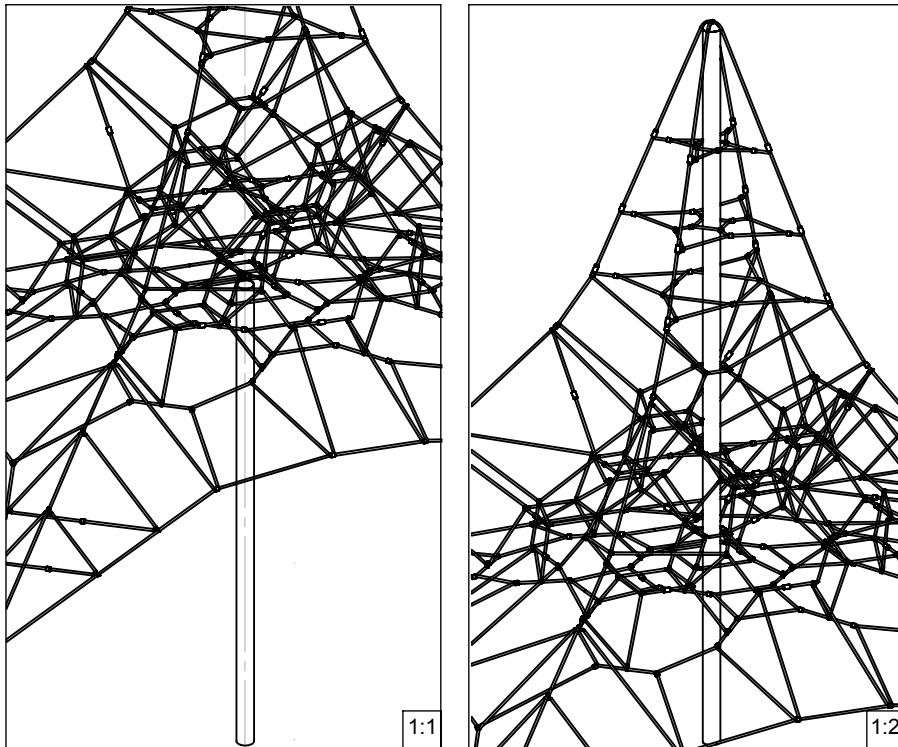
Corner After Concreting



Centre Before Concreting



Centre After Concreting



### Stage Three

1) To lift the net and mast into their final position, connect a sling (rope or webbing) to the upper part of the mast and lift using the excavating machine.

*Note: do not, under any circumstances, allow the lifting of the item using only the net as support as this can cause irreparable damage to the net. The mast must take the support. The certified excavator operator will be able to assist in this operation.*

2) locate the base of the mast over the centre spigot. With the excavator still taking the weight, connect the rigging screws to the four corner anchors at point (a). The rigging screws should be extended to their maximum length at this stage.

3) Once all four rigging screws have been attached, the net is then self supporting and the excavator can be released. Ensure the aluminium cap is correctly orientated and tighten the rigging screws uniformly. Adjust the tension until the mast is vertical then tighten the locknuts on the rigging screws. Secure the corner boxes with their lids using the security bolts supplied.

4) Connect the second bow shackle on the loop of wire to the safety anchor.

5) Finally secure the corner boxes with their lids using the security bolts supplied.

## Assembly Instructions

### Stage One

Following a seven day curing period, to allow the concrete to gain adequate strength, the final erection of the net can take place.

1) Remove Packaging from Net & Mast

2) Lay the net out on the ground so all corners are visible

3) Thread the mast through the net and locate with aluminium cap into the end of the mast.

*Note: Orientation of the mast can be determined from the position of the manufacturers label.*

### Stage Two

After successfully preparing the net and mast assembly, attach the four rigging screws previously stored, to each of the four corners of the net using the green pin bow shackles. The bow shackles can be located at the corners.

The rigging screw should be attached so that the 'eye' end is connected to the shackle, leaving the jaw end to attach to the corner anchors.



## Maintenance & Inspection

### General

The **Act6000-R1** activity net should be inspected and maintained in accordance with the recommendations as detailed in BS-EN 1176 part 7: Guidance on installation, inspection, maintenance and operation for playground equipment.

If any part of the equipment is found to be unsafe during an inspection and that part cannot be repaired or replaced immediately, the equipment unit or part(s) concerned should be secured against use. This may involve immobilisation or removal from site.

**Important note:** The frequency of inspection will vary with the type of equipment or materials used and other factors, e.g. heavy use, levels of vandalism, coastal location, air pollution, age of equipment etc.

### Routine Visual Inspection

A routine visual inspection enables the identification of obvious hazards that can result from vandalism, use or weather conditions, e.g. broken parts.

A daily routine visual inspection is recommended especially for playground equipment that has heavy use and/or is subject to vandalism and should include the inspection of the following as a minimum:

1. General equipment and surface cleanliness
2. Equipment ground clearances are maintained
3. Foundations not exposed, loose in the ground or cracked
4. Parts not missing or damaged
5. Surface finishes not damaged, rusting or deteriorating
6. Connections and bolts are secure and tight
7. Bearings are free running
8. Safety surface (if installed) not compacted, damaged or contaminated

### Retension the Rope

Periodic checks on tension will help assist in the durability of the product.

After initial tension is complete, the net will stretch approximately 1% over the first two weeks of use. Following this initial period, the net needs to be fully retensioned by releasing the locking nuts and evenly re-tightening the rigging screws as done in the original installation.

It is recommended that subsequent checks on tension should be carried out at monthly intervals and adjusted as required.

For further information and technical assistance regarding the cone climber range, please contact the original manufacturers at:



- BAUART  
GEPRÜFT
- TYPE  
APPROVED

### Tayplay Ltd

Inveralmond Trade Park  
Ruthvenfield Road  
Perth  
PH1 3TT  
Scotland

**Tel:** ++44 (0) 1738 449 084  
**Fax:** ++44 (0) 1738 449 094  
**email:** info@tayplay.com  
**Web:** www.tayplay.com