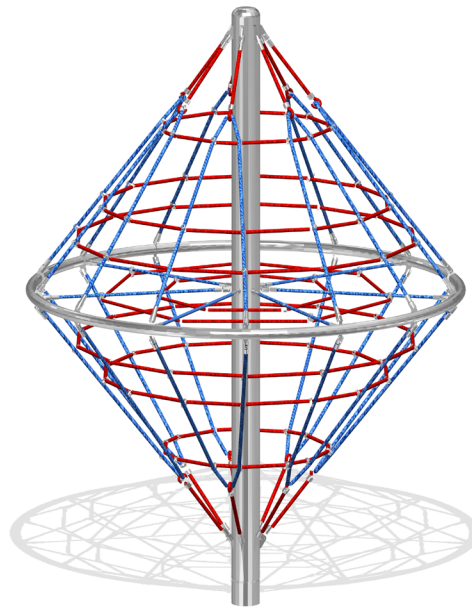


**3m Diamond**  
DM30



**5+**



**4**



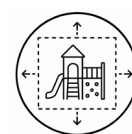
**6hrs**



**2320**



**51.51**



**8.1m x 8.1m**

The 3m Diamond Climber offers a unique and visually striking climbing challenge that helps develop strength, balance, coordination, and spatial awareness. Its multi-directional rope design encourages children to plan routes, build confidence, and assess risk as they climb through the structure. The central ring provides a place to rest, socialise, or change direction, making it ideal for promoting both active and cooperative play among older children.

**Key**



Age Range



Number Of Users



Assembly Time



Free Fall Height



Impact Area



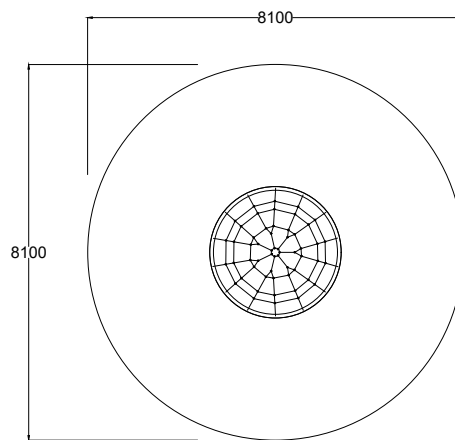
Wheelchair Accessible



Space Needed



For All Users



Specification	
Age Range:	5+ Years
Safety Area Width (mm):	8100
Safety Area Length (mm):	8100
Safety Area (m <sup>2</sup> ):	51.51
Free Fall Height (mm):	2050
Assembly Time:	6 hrs
People For Installation:	2

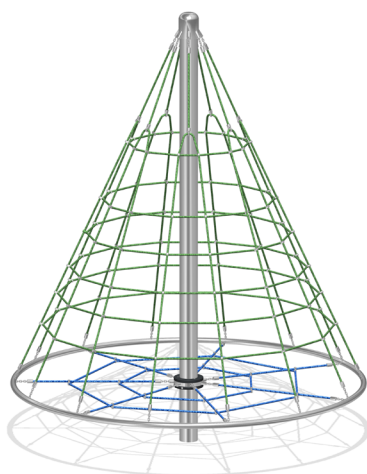
There shall be an additional area with a length of 500mm in the rotating direction (All Around) free from obstacles.



Hot-Dip Galvanising  
Optional Extra



## Inclusive Information



COMMUNICATING



COMPETING



WORKING TOGETHER



SHARING



SPINNING AND ROLLING



CLIMBING

Guaranteed for product lifetime against structural failure



Guaranteed for 5 years

Guaranteed for 5 years



Guaranteed for 8 years

Guaranteed for 10 years



Guaranteed for 2 years

Guaranteed for 2 years



Guaranteed for 1 year

**Play Panels + HDPE Products**



For consumable parts:  
- Beaters  
- Cables



For electronic failure caused by manufacturing defects in:  
- Speakers  
- Sound chips  
- Circuit boards



For mechanical failure caused by faulty workmanship or material defects in:  
- Moving parts  
- Standing and heavy duty springs



For defects resulting from the manufacture of:  
- High density polyethylene sheets  
- Structural steel components