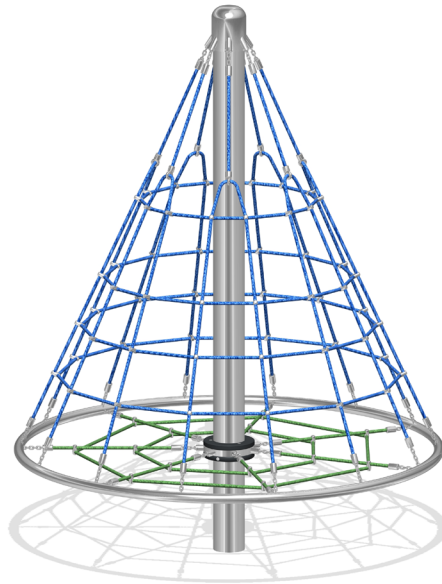


1.8m Cone Climber

CC18



3+



4



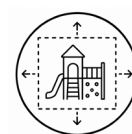
6hrs



1100



27.33



5.9m x 5.9m

The 1.8m Cone Climber provides an exciting climbing challenge that helps children develop strength, balance, coordination, and confidence. The rope net design encourages strategic movement and problem-solving as children navigate their way to the top, while also promoting social play and teamwork. Its compact footprint makes it a great addition to a wide range of playgrounds, offering a rewarding climbing experience for children seeking more adventurous physical play.

Key



Age Range



Number Of Users



Assembly Time



Free Fall Height



Impact Area



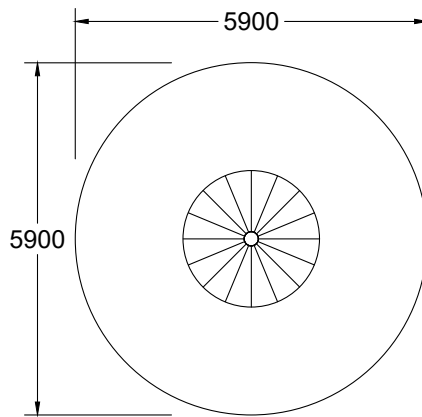
Wheelchair Accessible



Space Needed



For All Users



Specification	
Age Range:	3+ Years
Safety Area Width (mm):	5900
Safety Area Length (mm):	5900
Safety Area (m ²):	27.33
Free Fall Height (mm):	1100
Assembly Time:	6 hrs
People For Installation:	2

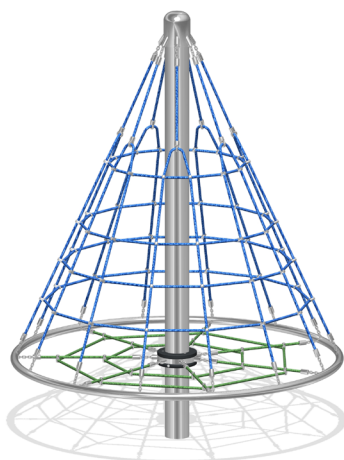
There shall be an additional area with a length of 500mm in the rotating direction (All Around) free from obstacles.



Hot-Dip Galvanising
Optional Extra



Inclusive Information



COMMUNICATING



COMPETING



WORKING TOGETHER



SHARING



SPINNING AND ROLLING



CLIMBING

Guaranteed for product lifetime against structural failure



Guaranteed for 5 years

Guaranteed for 5 years



Guaranteed for 8 years

Guaranteed for 10 years



Guaranteed for 2 years

Guaranteed for 2 years



Guaranteed for 1 year

Play Panels + HDPE Products



For consumable parts:
- Beaters
- Cables



For electronic failure caused by manufacturing defects in:
- Speakers
- Sound chips
- Circuit boards



For mechanical failure caused by faulty workmanship or material defects in:
- Moving parts
- Standing and heavy duty springs



For defects resulting from the manufacture of:
- High density polyethylene sheets
- Structural steel components